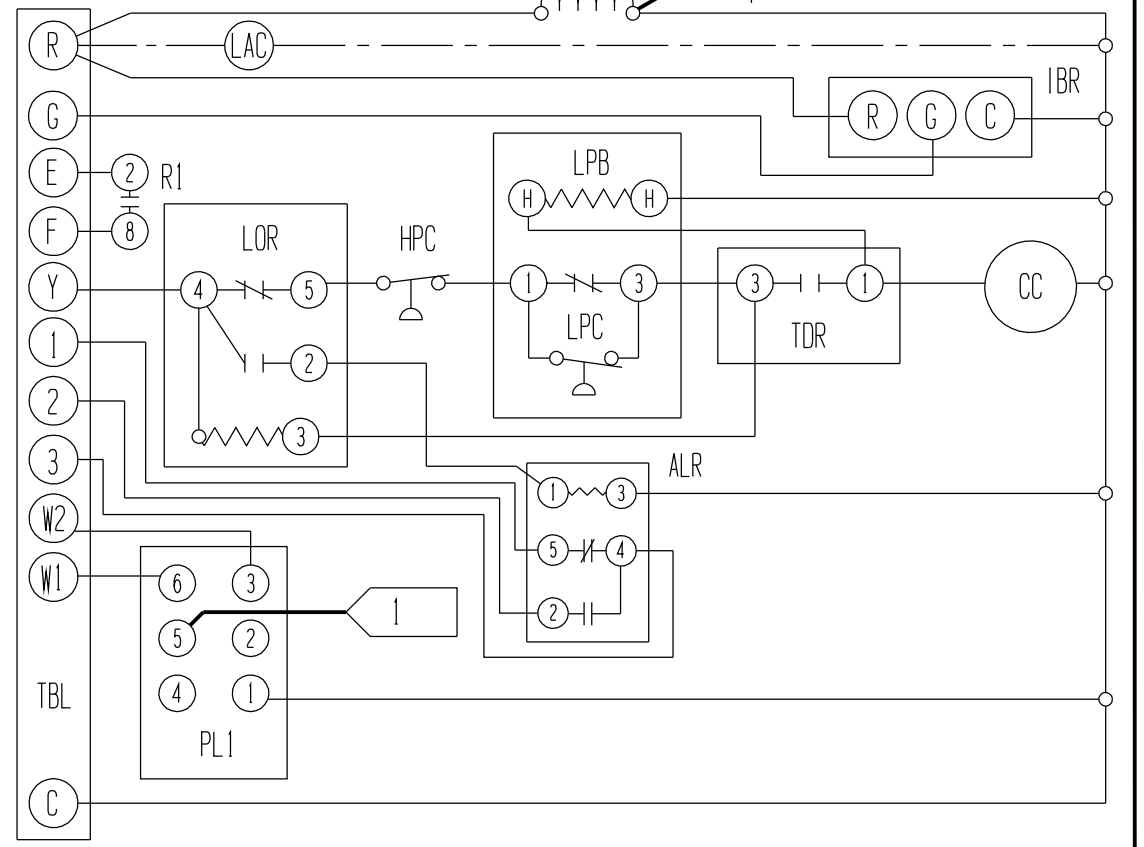
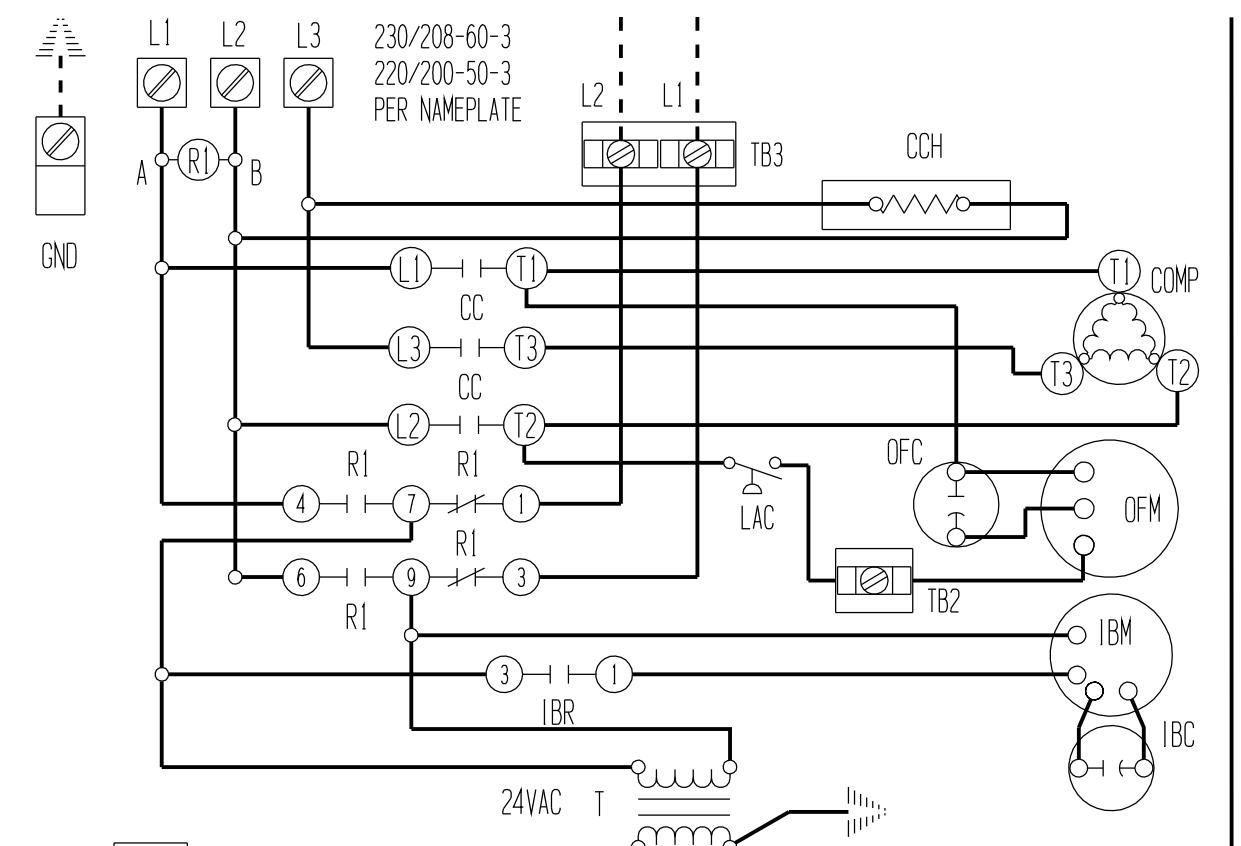


USE COPPER CONDUCTORS
ONLY SUITABLE FOR AT
LEAST 75° C

230/208-60-3
202/200-50-3
PER NAMEPLATE

USE CLASS 1 WIRING FOR ALL
CONNECTIONS TO THE LOW VOLTAGE
TERMINAL BLOCK. ALARM RELAY
CONTACT RATINGS 125VA @24VAC.



COMPONENT CODES			
ALR	ALARM RELAY	LOR	LOCK OUT RELAY
CB1	CIRCUIT BREAKER #1	LPB	LOW PRESSURE BYPASS
CC	COMPRESSOR CONTACTOR	LPC	LOW PRESSURE CONTROL
CCH	COMPRESSOR CRANKCASE HEATER	LS	LIMIT SWITCH
R1	INVERTER CONTROL RELAY	OFC	OUTDOOR FAN
COMP	COMPRESSOR	OFM	OUTDOOR FAN MOTOR
GND	EQUIPMENT GROUND	PL1	PLUG #1
H1	HEAT STRIP #1	T	TRANSFORMER
H2	HEAT STRIP #2	TB	TERMINAL BLOCK
HC1	HEATER CONTACTOR #1	TB2	LAC TERMINAL BLOCK
HC2	HEATER CONTACTOR #2	TB3	INVERTER TERMINAL BLOCK
HPC	HIGH PRESSURE CONTROL	TBL	LOW VOLTAGE TERMINAL BLOCK
IBC	INDOOR BLOWER CAPACITOR	TCO	THERMAL CUTOFF
IBR	INDOOR BLOWER RELAY	TDR	TIME DELAY RELAY
LAC	LOW AMBIENT CONTROL		

MOVE BOTH WIRES TO 208V TAP FOR 208V OPERATION RED (LOW) BLACK (HIGH)

	FACTORY STD.	FIELD	OPTIONAL	COLOR CODE							
HIGH VOLTAGE				BK	BLACK	Y	YELLOW	V	VIOLET	T	TAN
LOW VOLTAGE				BR	BROWN	G	GREEN	(PR)	PURPLE	PK	PINK
ACCESSORY				R	RED	BL	BLUE	GY	GRAY	L	LAVENDER
				O	ORANGE	W	WHITE	(S)	SLATE		

BARD MFG. CO.
4095-223 A