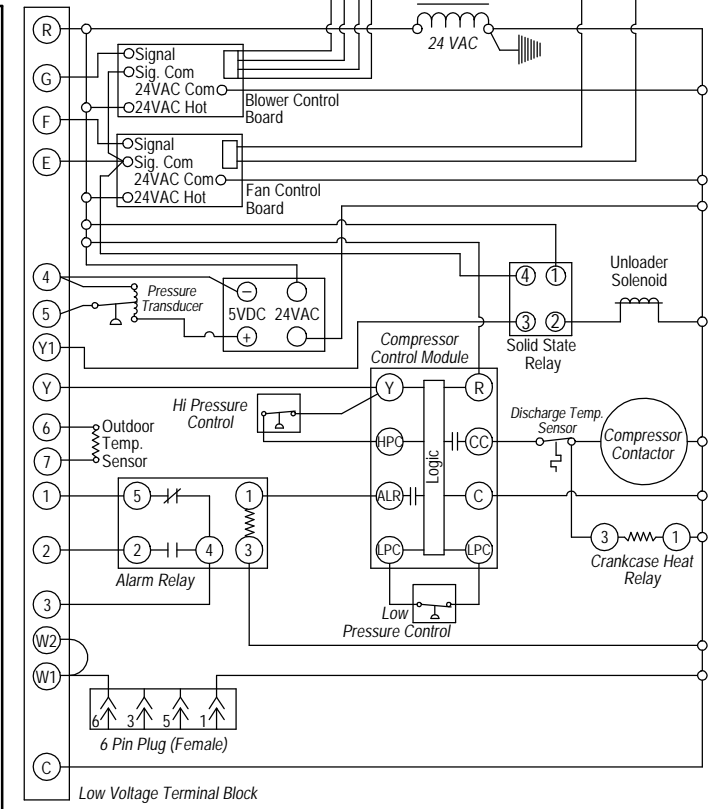
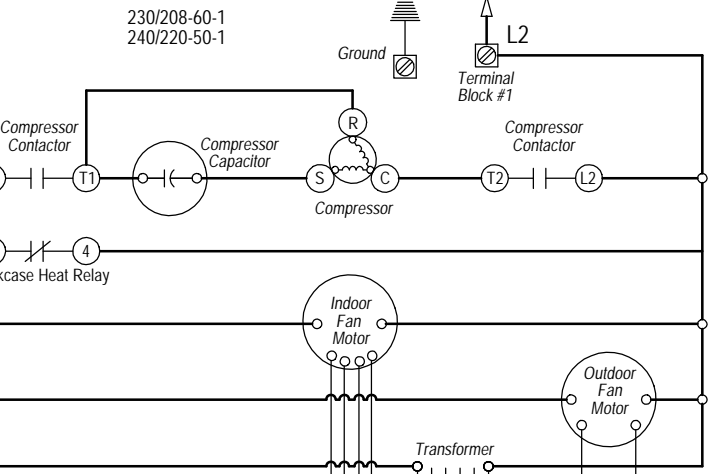


NOTE: BARD 8403-066 CONTROLLER MUST BE USED WITH THESE UNITS. A THERMOSTAT WILL NOT WORK.



Wires Connect if Option Not Used	99 Wire Identification numbers for Bard use only.		
	Factory	Field	Optional
High Voltage			
Low Voltage			

WARNING
USE COPPER CONDUCTORS ONLY SUITABLE FOR AT LEAST 75° C.

DANGER
ELECTRICAL SHOCK HAZARD
DISCONNECT POWER BEFORE SERVICING.

