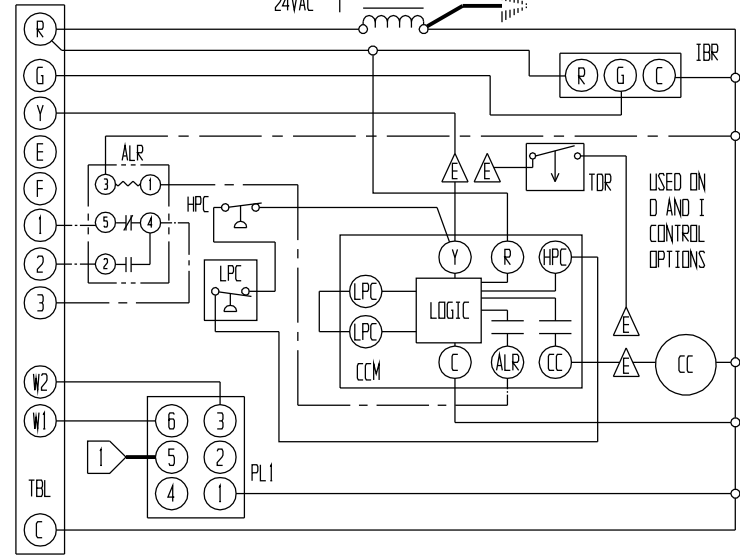
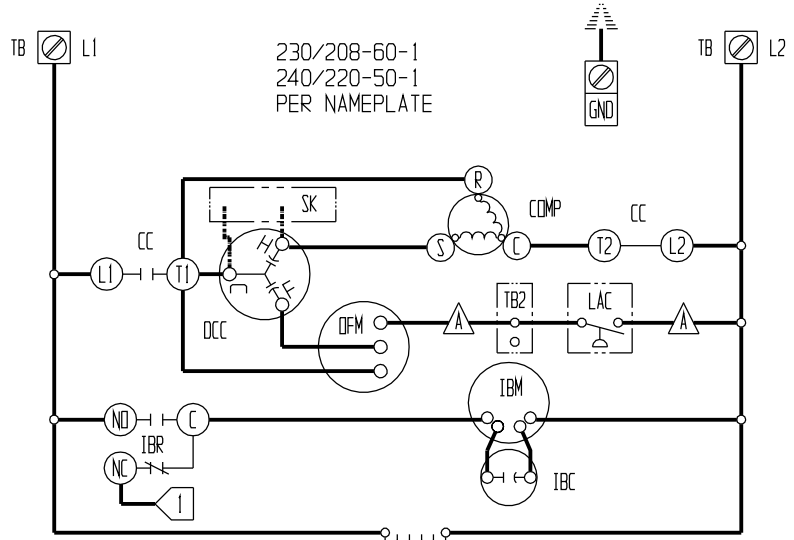
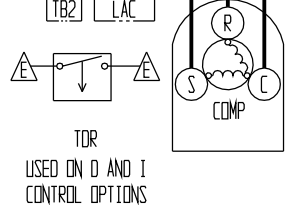


USE COPPER CONDUCTORS ONLY SUITABLE FOR AT LEAST 75° C



COMPONENT CODE			
ALR	ALARM RELAY	IBC	INDOOR BLOWER CAPACITOR
CB1	CIRCUIT BREAKER #1	IBM	INDOOR BLOWER MOTOR
CB2	CIRCUIT BREAKER #2	IBR	INDOOR BLOWER RELAY
CC	COMPRESSOR CONTACTOR	LAC	LOW AMBIENT CONTROL
CCM	COMPRESSOR CONTROL MODULE	LPC	LOW PRESSURE CONTROL
COMP	COMPRESSOR	LS	LIMIT SWITCH
DCC	DUAL CAN CAPACITOR	OFM	OUTDOOR FAN MOTOR
GND	EQUIPMENT GROUND	PL1	PLUG #1
H1	HEAT STRIP #1	SK	START KIT
H2	HEAT STRIP #2	T	TRANSFORMER
HC1	HEATER CONTACTOR #1	TB, TB2	TERMINAL BLOCK
HC2	HEATER CONTACTOR #2	TBL	LOW VOLTAGE TERMINAL BLOCK
HPC	HIGH PRESSURE CONTROL	TCD	THERMAL CUTOFF
		TDR	TIME DELAY RELAY



		LABELED WIRES CONNECT IF NO OPTIONS USED.		MOVE RED WIRE TO 208V TAP FOR 208V OPERATION		RED (50 HZ ONLY) (LOW) BLACK (HIGH) WHERE APPLICABLE	
HIGH VOLTAGE		FACTORY STD.	FIELD	OPTIONAL	COLOR CODE		
LOW VOLTAGE	ACCESSORY	————	- - - -	-----	BK	BLACK	
					BR	BROWN	
					R	RED	
					O	ORANGE	
					Y	YELLOW	
					G	GREEN	
					BL	BLUE	
					W	WHITE	
					V (PR)	VIOLET PURPLE	
					GY (S)	GRAY SLATE	
					T	TAN	
					PK	PINK	
					L	LAVENDER	
BARD MFG. CO.						4095-138	