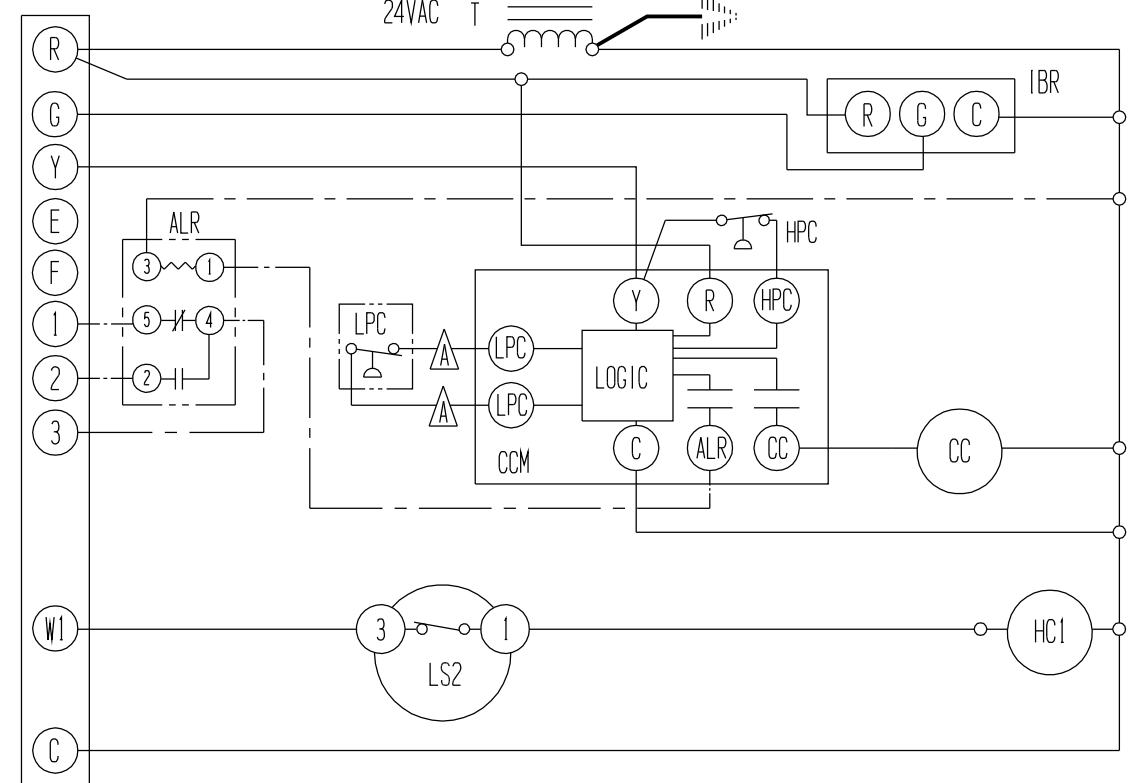
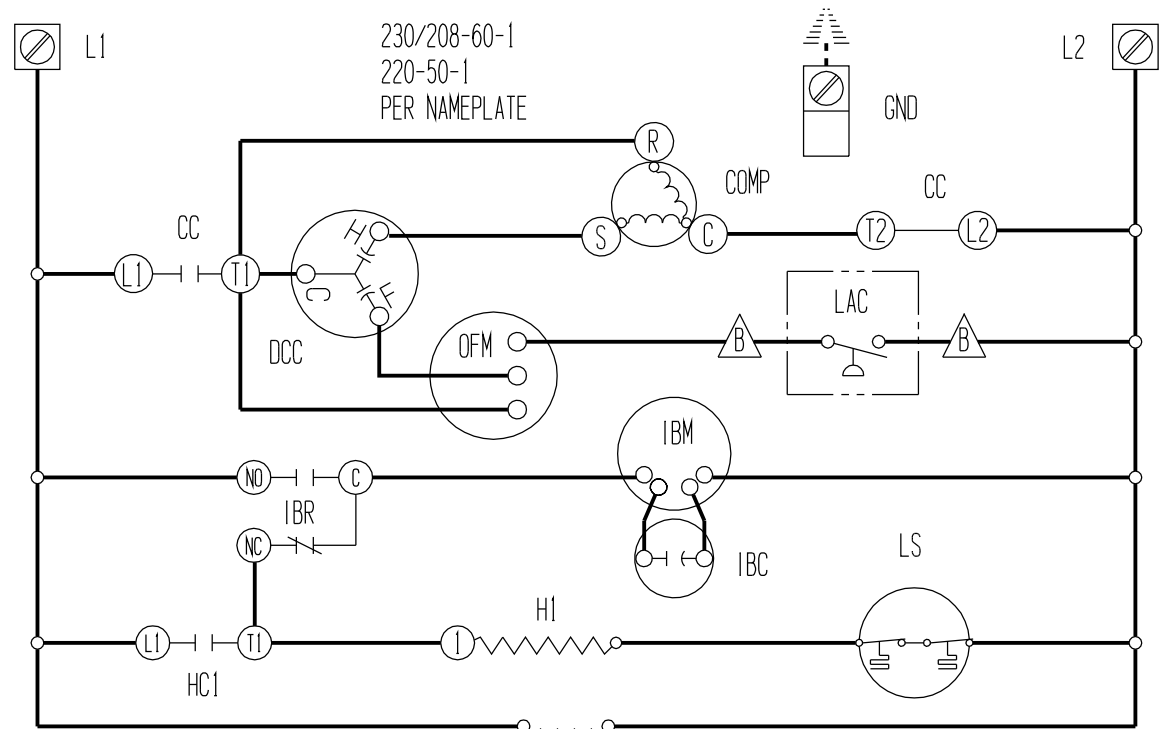
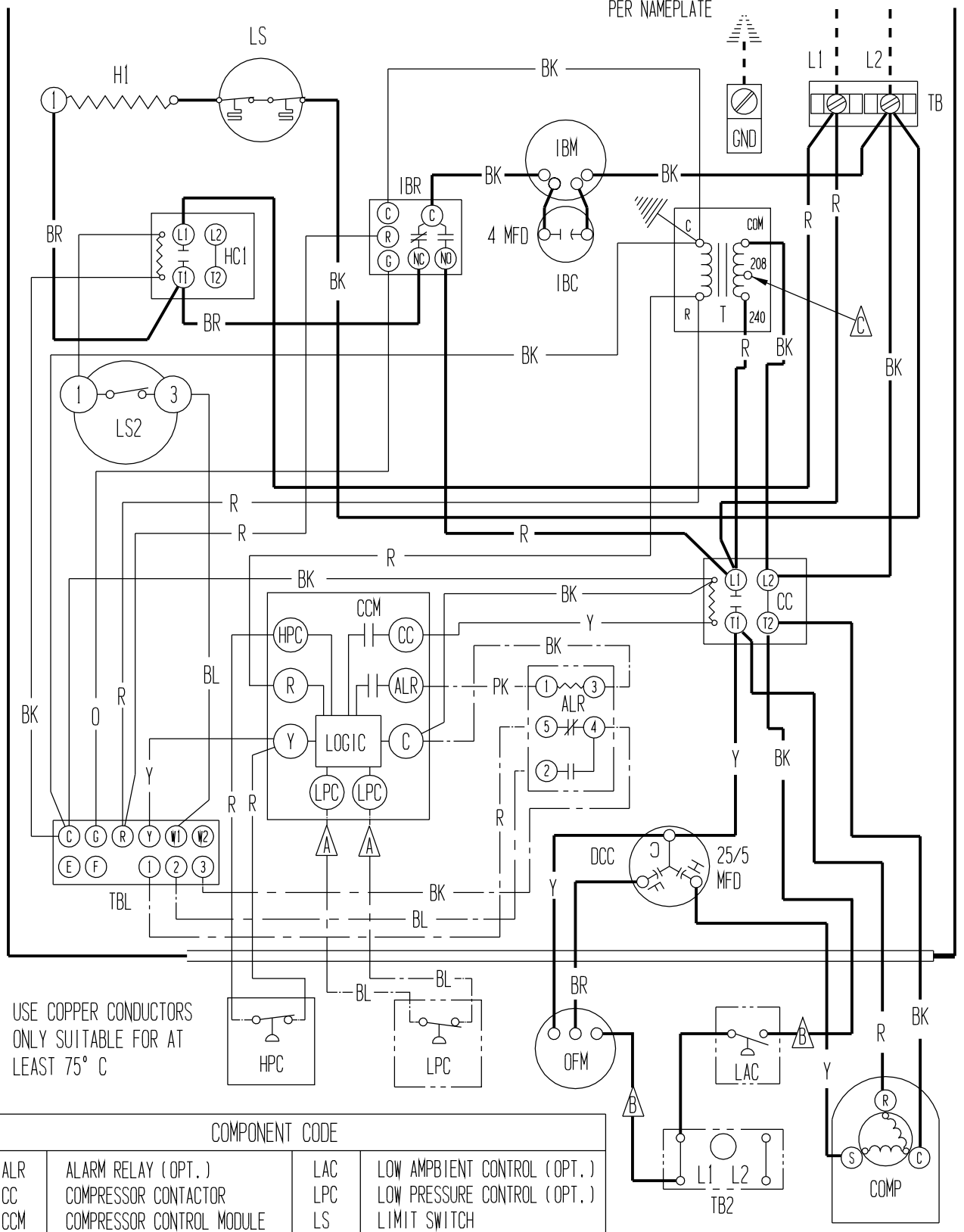


230/208-60-1
220-50-1
PER NAMEPLATE



COMPONENT CODE			
ALR	ALARM RELAY (OPT.)	LAC	LOW AMBIENT CONTROL (OPT.)
CC	COMPRESSOR CONTACTOR	LPC	LOW PRESSURE CONTROL (OPT.)
CCM	COMPRESSOR CONTROL MODULE	LS	LIMIT SWITCH
COMP	COMPRESSOR	LS2	LIMIT SWITCH #2
DCC	DUAL CAN CAPACITOR	OFM	OUTDOOR FAN MOTOR
GND	EQUIPMENT GROUND	T	TRANSFORMER
H1	HEAT STRIP #1	TB	TERMINAL BLOCK
HC1	HEATER CONTACTOR #1	TB2	TERMINAL BLOCK 2 (OPT.)
HPC	HIGH PRESSURE CONTROL	TBL	LOW VOLTAGE TERMINAL BLOCK
IBC	INDOOR BLOWER CAPACITOR		
IBM	INDOOR BLOWER MOTOR		
IBR	INDOOR BLOWER RELAY		

A **B** LABELED WIRES CONNECT IF NO OPTIONS USED. **△** MOVE RED WIRE TO 208V TAP FOR 208V OPERATION

HIGH VOLTAGE	FACTORY STD.			FIELD			OPTIONAL			COLOR CODE				BARD MFG. CO. 4095-132										
	---	---	---	---	---	---	---	---	BK	BR	R	O	Y		G	BL	W	V (PR)	GY (S)	T	PK	L	TAN	PINK
---	---	---	---	---	---	---	---	---	BK	BR	R	O	Y	G	BL	W	V (PR)	GY (S)	T	PK	L	TAN	PINK	LAVENDER