

USE COPPER CONDUCTORS ONLY SUITABLE FOR AT LEAST 75° C

COMPONENT CODE			
ALR	ALARM RELAY	IBC	INDOOR BLOWER CAPACITOR
CB1	CIRCUIT BREAKER #1	IBM	INDOOR BLOWER MOTOR
CB2	CIRCUIT BREAKER #2	IBR	INDOOR BLOWER RELAY
CC	COMPRESSOR CONTACTOR	LAC	LOW AMBIENT CONTROL
CCH	CRANKCASE HEATER	LPC	LOW PRESSURE CONTROL
CCM	COMPRESSOR CONTROL MODULE	LS	LIMIT SWITCH
CHR	CRANKCASE HEAT RELAY	OFM	OUTDOOR FAN MOTOR
COMP	COMPRESSOR	PL1	PLUG #1
DCC	DUAL CAN CAPACITOR	SK	START KIT
GND	EQUIPMENT GROUND	T	TRANSFORMER
H1	HEAT STRIP #1	TB, TB2	TERMINAL BLOCK
H2	HEAT STRIP #2	TBL	LOW VOLTAGE TERMINAL BLOCK
HC1	HEATER CONTACTOR #1	TCO	THERMAL CUTOFF
HC2	HEATER CONTACTOR #2	TDR	TIME DELAY RELAY
HPC	HIGH PRESSURE CONTROL		

LABELED WIRES CONNECT IF NO OPTIONS USED.

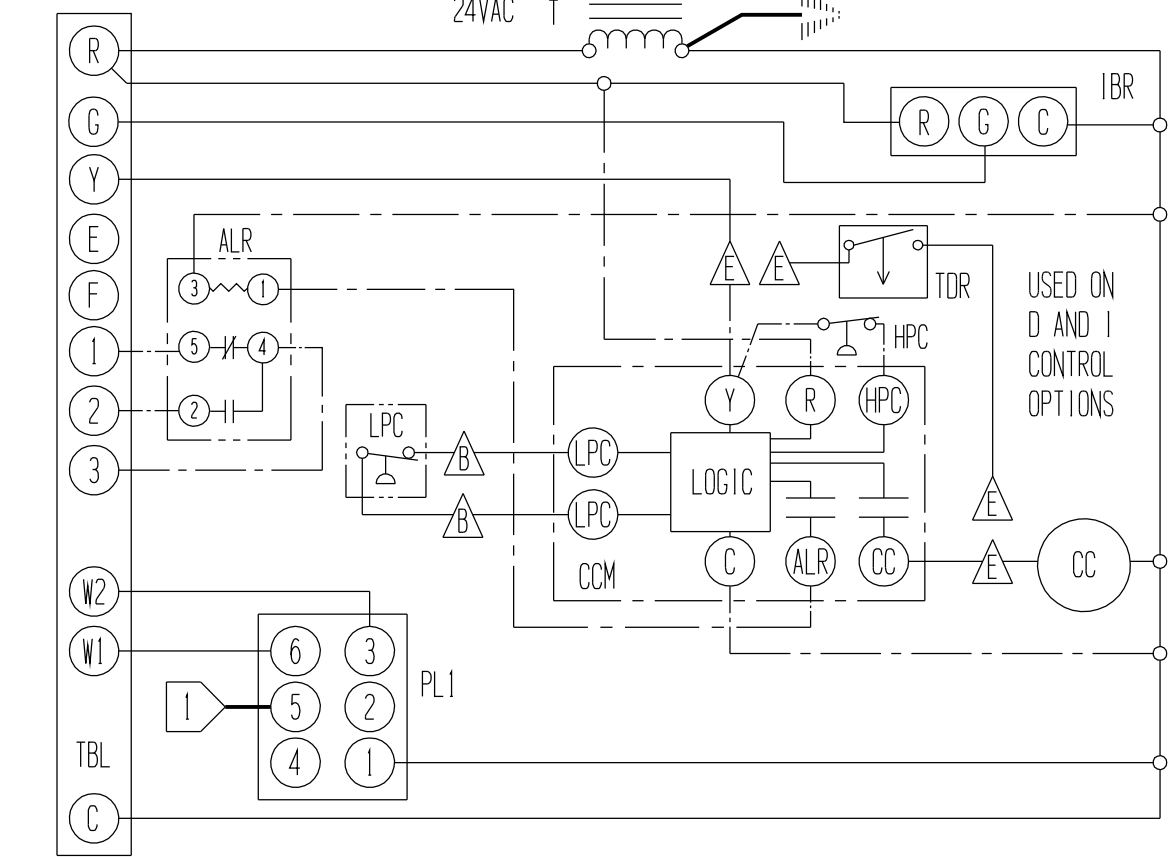
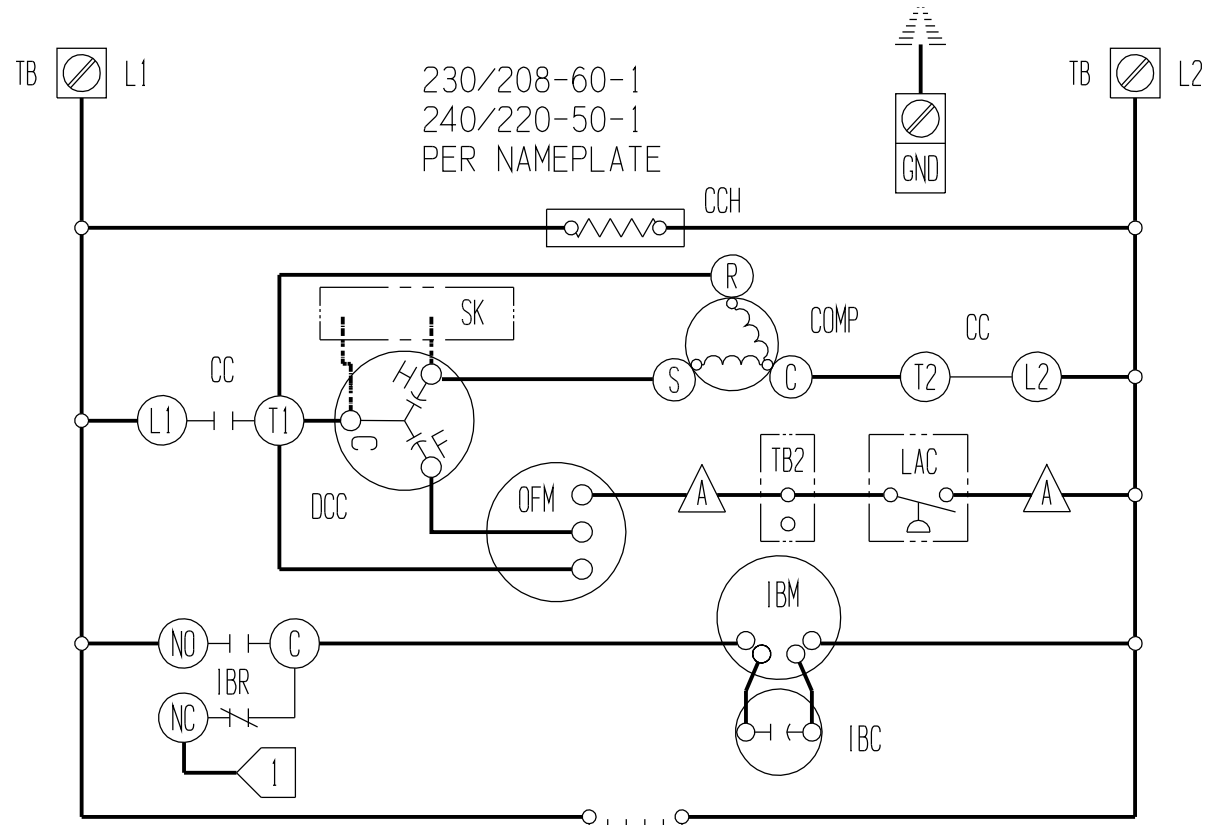
MOVE RED WIRE TO 208V TAP FOR 208V OPERATION

RED (LOW) BLACK (HIGH) WHERE APPLICABLE

	FACTORY STD.	FIELD	OPTIONAL
HIGH VOLTAGE	————	-----	-----
LOW VOLTAGE	————	-----	-----
ACCESSORY	————	-----	-----

COLOR CODE							
BK	BLACK	Y	YELLOW	V	VIOLET	T	TAN
BR	BROWN	G	GREEN	(PR)	PURPLE	PK	PINK
R	RED	BL	BLUE	GY	GRAY	L	LAVENDER
O	ORANGE	W	WHITE	(S)	SLATE		

BARD MFG. CO.
4095-130 A



USED ON D AND I CONTROL OPTIONS