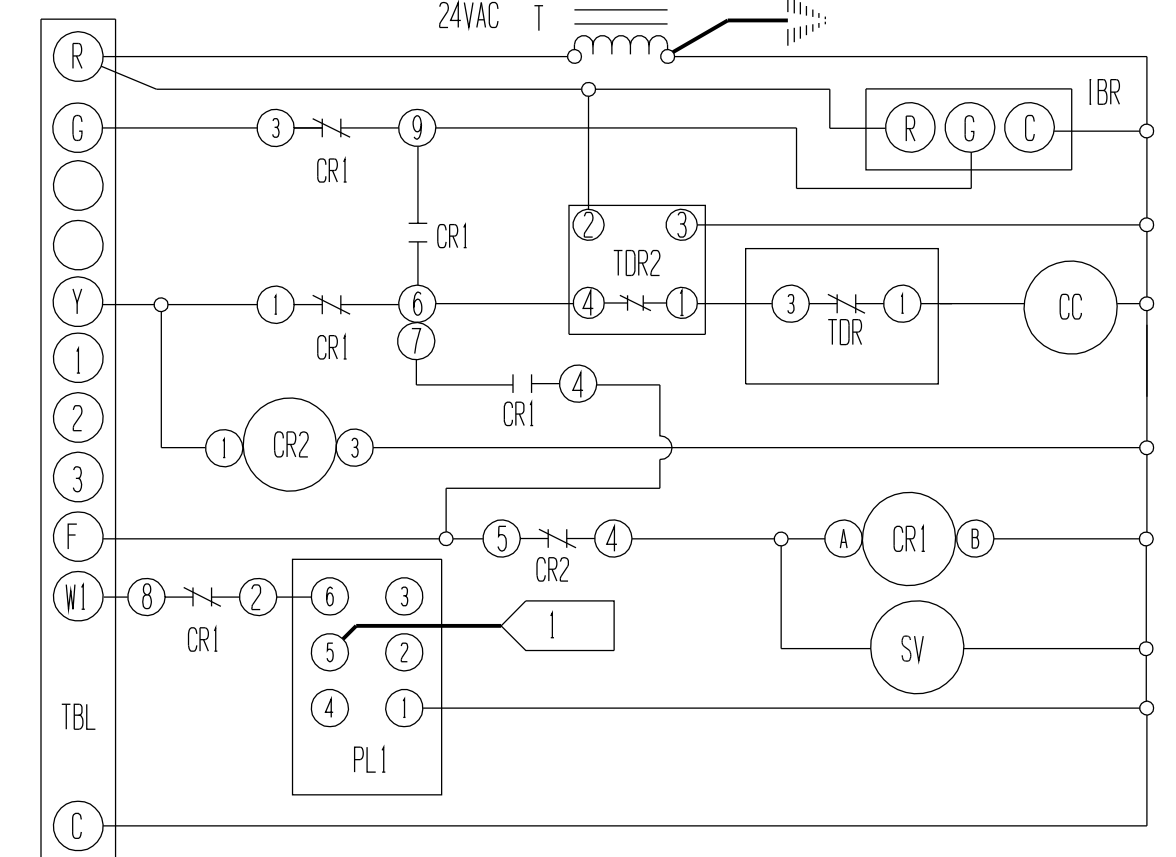
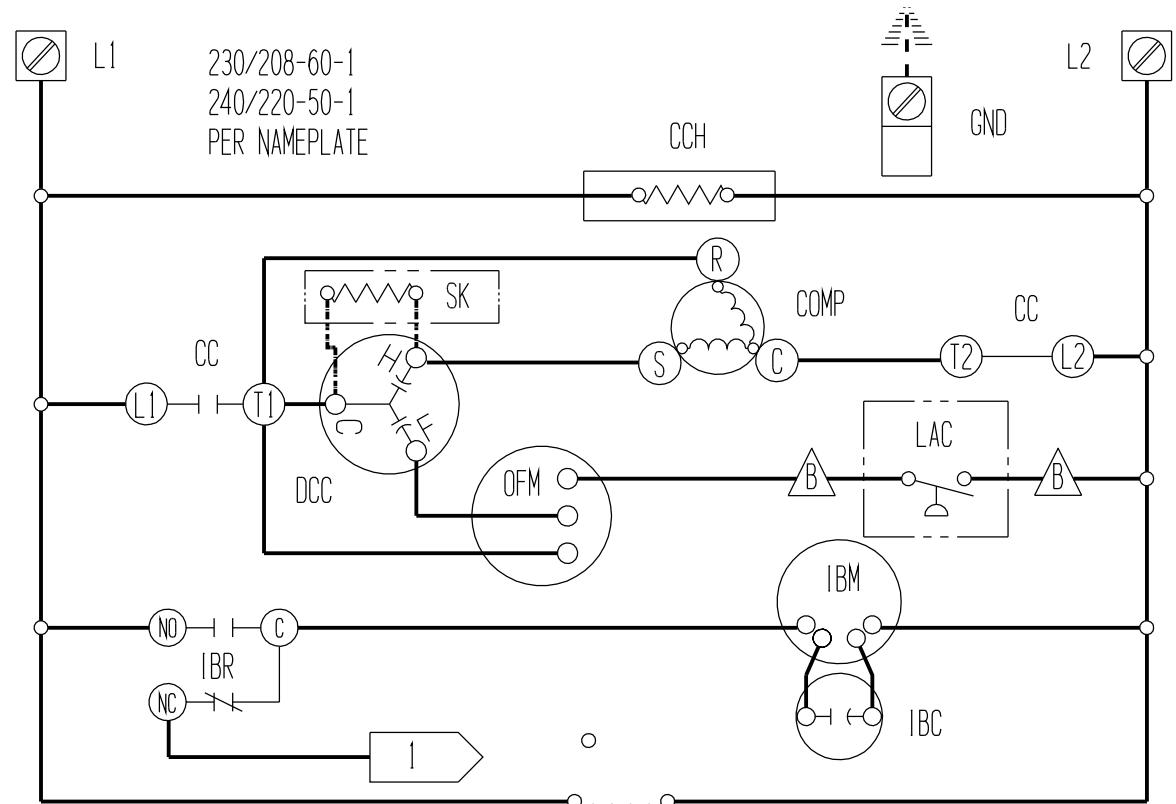


USE COPPER CONDUCTORS  
ONLY SUITABLE FOR AT  
LEAST 75° C



COMPONENT CODE			
CB1	CIRCUIT BREAKER #1	IBC	INDOOR BLOWER CAPACITOR
CB2	CIRCUIT BREAKER #2	IBM	INDOOR BLOWER MOTOR
CC	COMPRESSOR CONTACTOR	IBR	INDOOR BLOWER RELAY
CCH	COMPRESSOR CRANKCASE HEATER	LAC	LOW AMBIENT CONTROL
COMP	COMPRESSOR	LS	LIMIT SWITCH
CR1	CONTROL RELAY 1	OFM	OUTDOOR FAN MOTOR
CR2	CONTROL RELAY 2	PL1	PLUG #1
DCC	DUAL CAN CAPACITOR	SV	SOLENOID VALVE
GND	EQUIPMENT GROUND	SK	START KIT
H1	HEAT STRIP #1	T	TRANSFORMER
H2	HEAT STRIP #2	TB	TERMINAL BLOCK
HC1	HEATER CONTACTOR #1	TBL	LOW VOLTAGE TERMINAL BLOCK
HC2	HEATER CONTACTOR #2	TCO	THERMAL CUTOFF
HPC	HIGH PRESSURE CONTROL	TDR, TDR2	TIME DELAY RELAY

LABELED WIRES CONNECT IF NO OPTIONS USED.

MOVE RED WIRE TO 208V TAP FOR 208V OPERATION

RED (LOW) BLACK (HIGH) WERE APPLICABLE

	FACTORY STD.	FIELD	OPTIONAL
HIGH VOLTAGE			
LOW VOLTAGE			
ACCESSORY			

COLOR CODE							
BK	BLACK	Y	YELLOW	V	VIOLET	T	TAN
BR	BROWN	G	GREEN	(PR)	PURPLE	PK	PINK
R	RED	BL	BLUE	GY	GRAY	L	LAVENDER
O	ORANGE	W	WHITE	(S)	SLATE		

**BARD MFG. CO.**  
4095-118 C