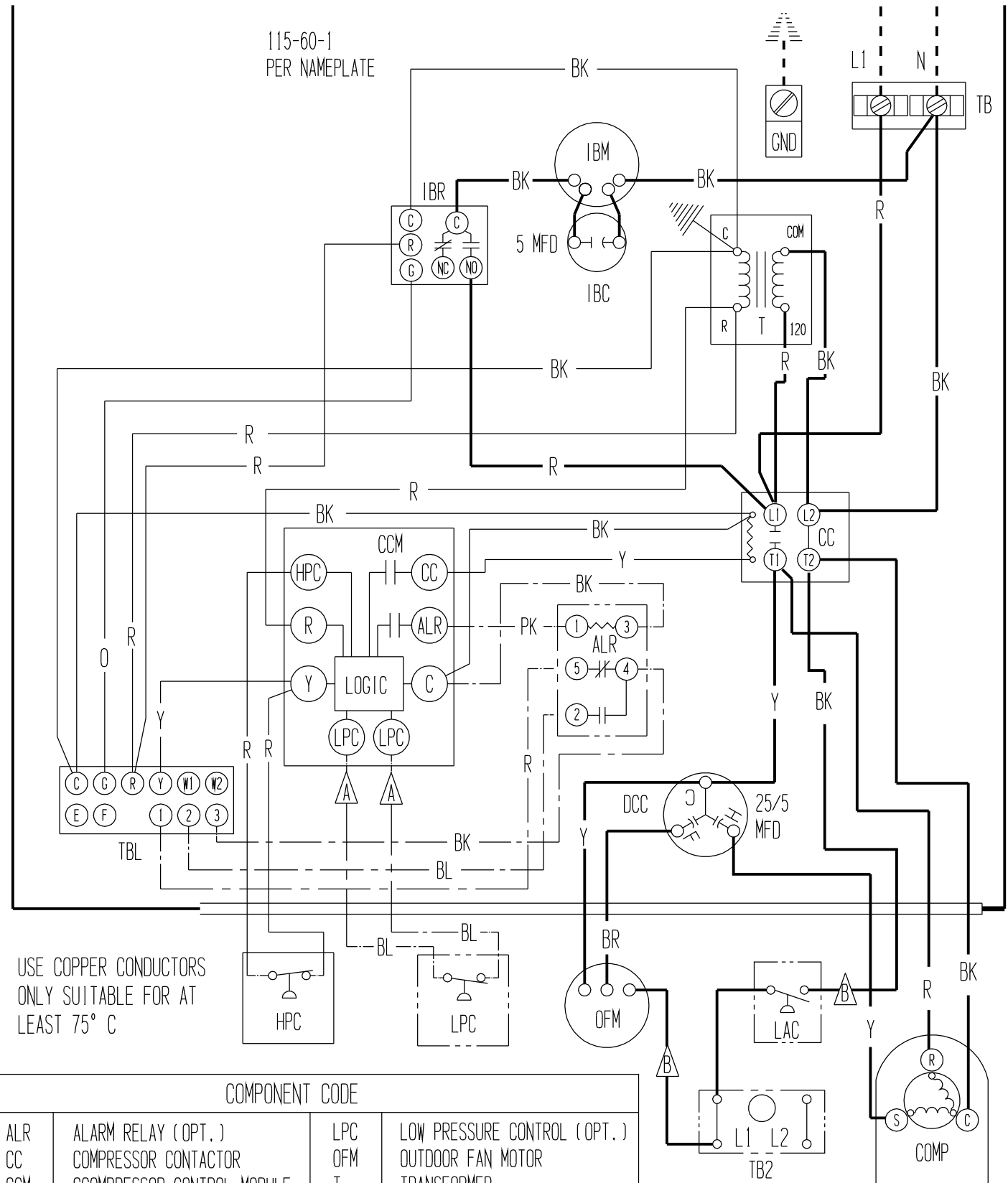
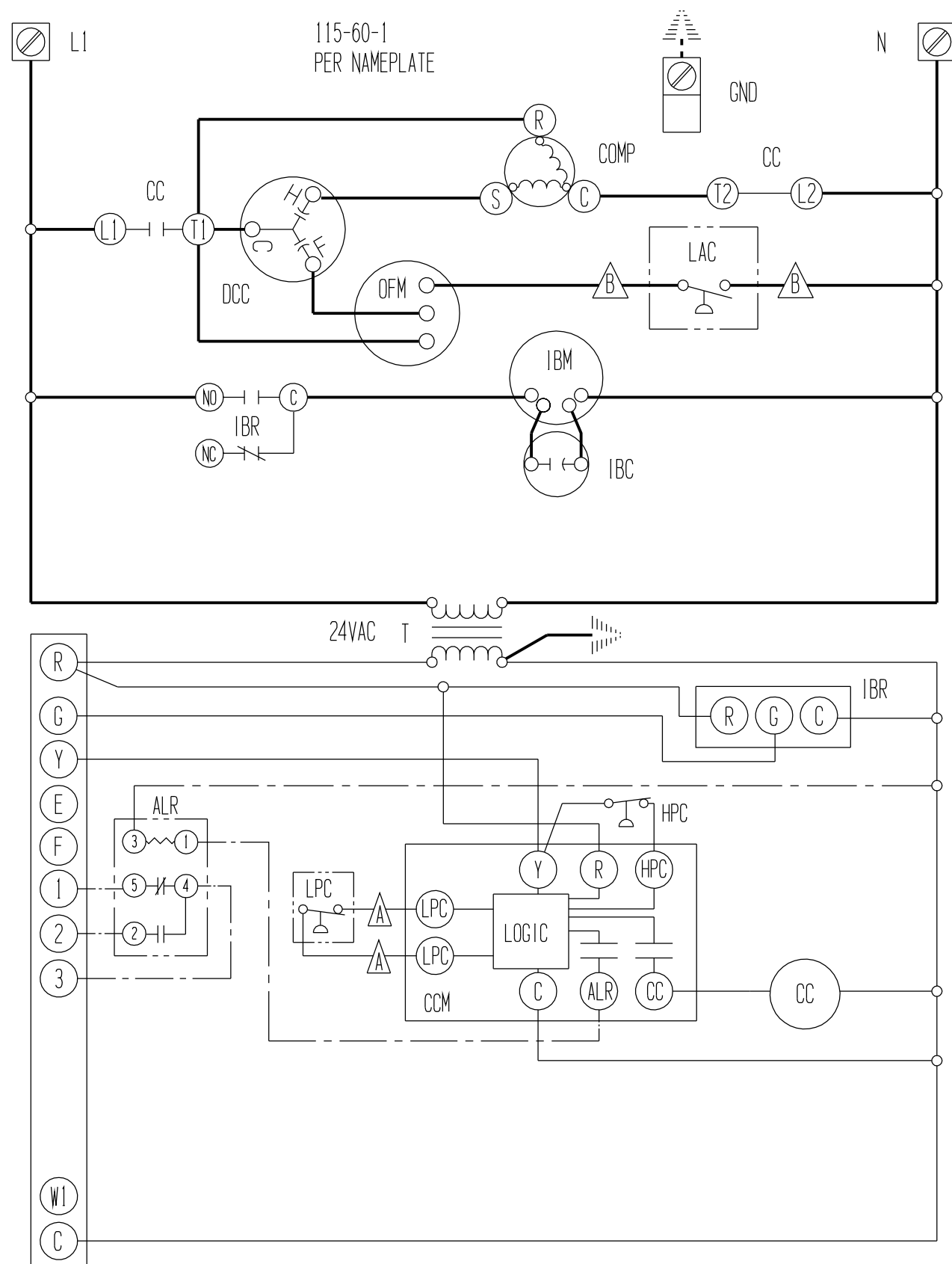


115-60-1
PER NAMEPLATE



USE COPPER CONDUCTORS
ONLY SUITABLE FOR AT
LEAST 75° C

115-60-1
PER NAMEPLATE



COMPONENT CODE

ALR	ALARM RELAY (OPT.)	LPC	LOW PRESSURE CONTROL (OPT.)
CC	COMPRESSOR CONTACTOR	OFM	OUTDOOR FAN MOTOR
CCM	COMPRESSOR CONTROL MODULE	T	TRANSFORMER
COMP	COMPRESSOR	TB	TERMINAL BLOCK
DCC	DUAL CAN CAPACITOR	TB2	TERMINAL BLOCK 2 (OPT.)
GND	EQUIPMENT GROUND	TBL	LOW VOLTAGE TERMINAL BLOCK
HPC	HIGH PRESSURE CONTROL		
IBC	INDOOR BLOWER CAPACITOR		
IBM	INDOOR BLOWER MOTOR		
IBR	INDOOR BLOWER RELAY		
LAC	LOW AMBIENT CONTROL (OPT.)		

A **B** LABELED WIRES CONNECT IF NO OPTIONS USED.

	FACTORY STD.	FIELD	OPTIONAL
HIGH VOLTAGE			
LOW VOLTAGE			
ACCESSORY			

COLOR CODE

BK	BLACK	Y	YELLOW	V	VIOLET	T	TAN
BR	BROWN	G	GREEN	(PR)	PURPLE	PK	PINK
R	RED	BL	BLUE	GY	GRAY	L	LAVENDER
O	ORANGE	W	WHITE	(S)	SLATE		

BARD MFG. CO.

4095-116 E