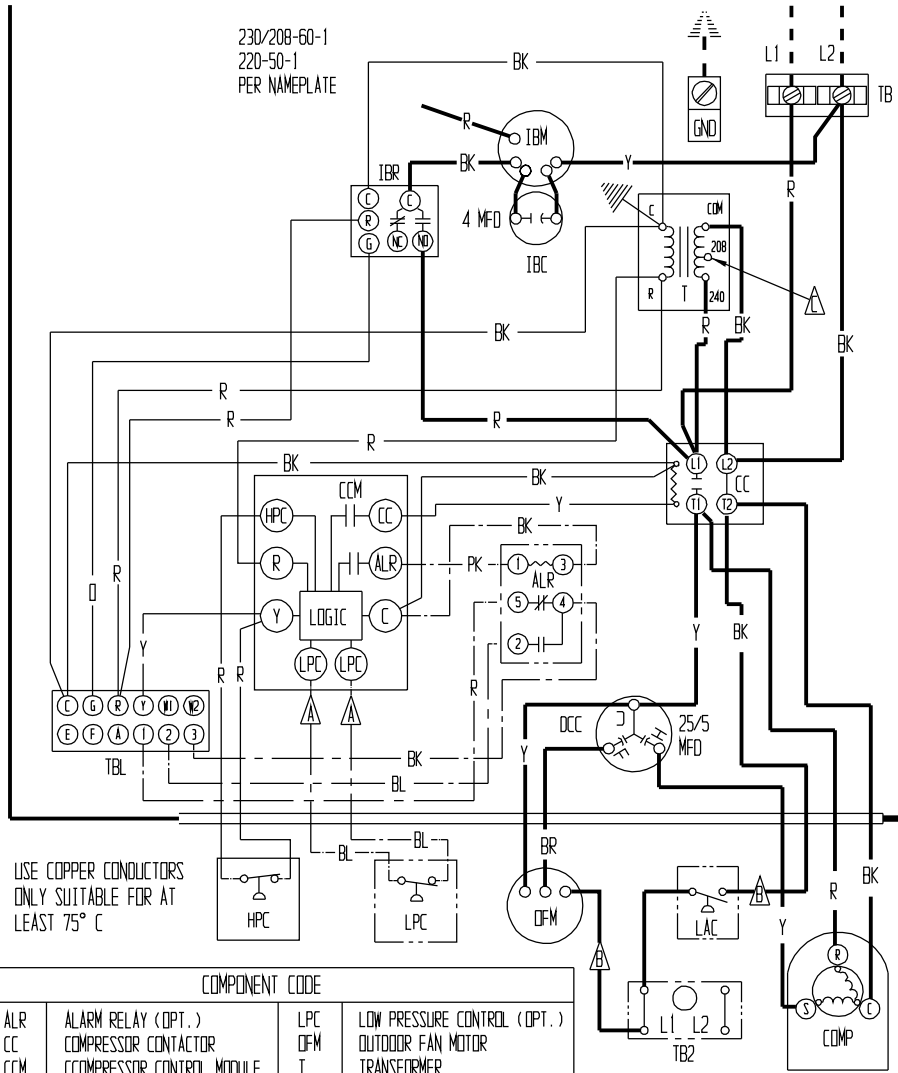


230/208-60-1
220-50-1
PER NAMEPLATE



USE COPPER CONDUCTORS
ONLY SUITABLE FOR AT
LEAST 75° C

COMPONENT CODE

ALR	ALARM RELAY (OPT.)	LPC	LOW PRESSURE CONTROL (OPT.)
CC	COMPRESSOR CONTACTOR	OFM	OUTDOOR FAN MOTOR
CCM	COMPRESSOR CONTROL MODULE	T	TRANSFORMER
COMP	COMPRESSOR	TB	TERMINAL BLOCK
DCC	DUAL CAN CAPACITOR	TB2	TERMINAL BLOCK 2 (OPT.)
GND	EQUIPMENT GROUND	TBL	LOW VOLTAGE TERMINAL BLOCK
HPC	HIGH PRESSURE CONTROL		
IBC	INDOOR BLOWER CAPACITOR		
IBM	INDOOR BLOWER MOTOR		
IBR	INDOOR BLOWER RELAY		
LAC	LOW AMBIENT CONTROL (OPT.)		

⚠️ ⚠️ LABELED WIRES CONNECT IF NO OPTIONS USED.

⚠️ MOVE RED WIRE TO 208V TAP FOR 208V OPERATION

	FACTORY STD.	FIELD	OPTIONAL
HIGH VOLTAGE	————	-----	-----
LOW VOLTAGE	————	-----	-----
ACCESSORY	————	-----	-----

COLOR CODE						
BK	BLACK	Y	YELLOW	V	VIOLET	T
BR	BROWN	G	GREEN	(PR)	PURPLE	PK
R	RED	BL	BLUE	GY	GRAY	L
O	ORANGE	W	WHITE	(S)	SLATE	

BARD MFG. CO.
4095-115 G

230/208-60-1
220-50-1
PER NAMEPLATE

