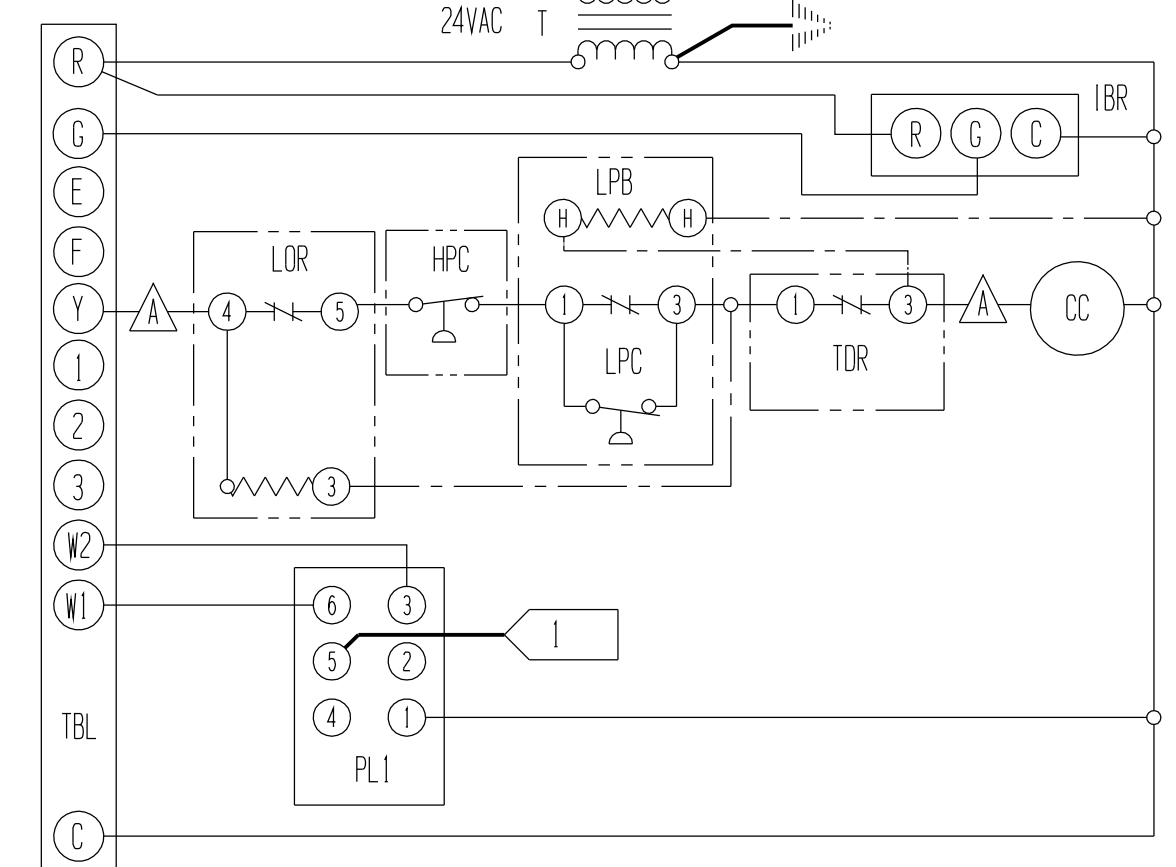
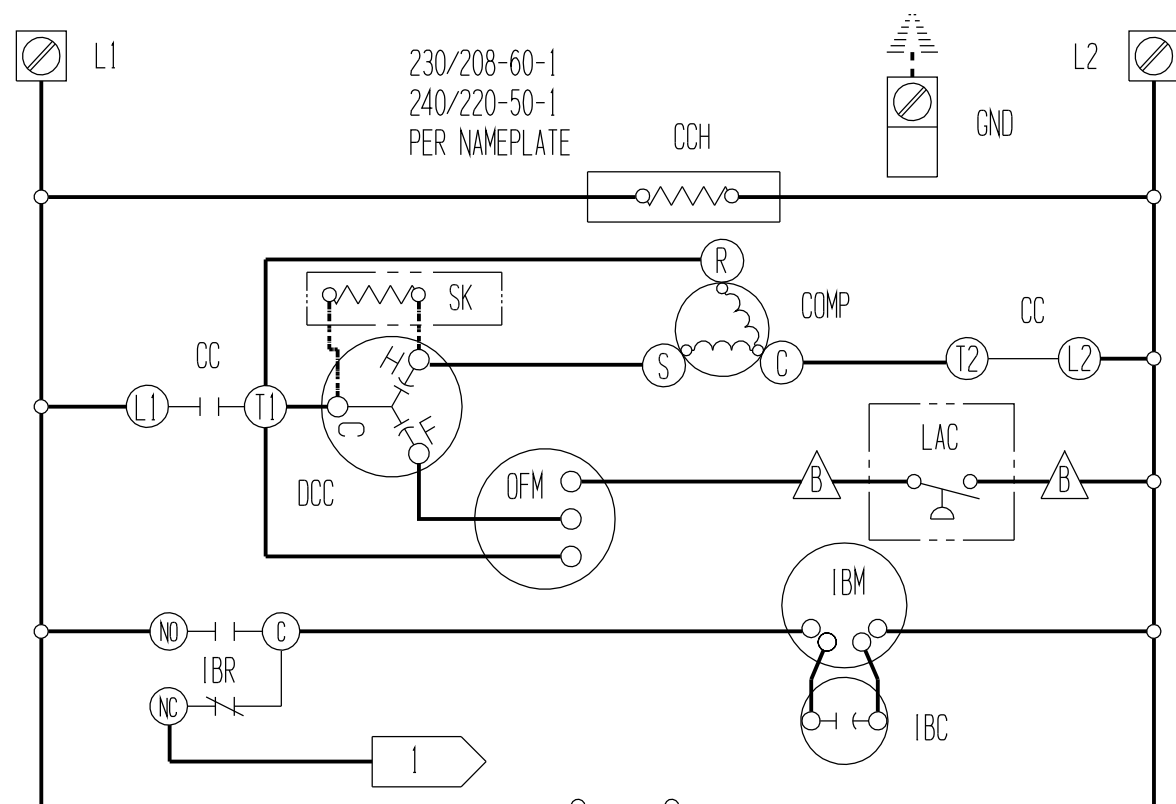


USE COPPER CONDUCTORS  
ONLY SUITABLE FOR AT  
LEAST 75° C



COMPONENT CODE			
CB1	CIRCUIT BREAKER #1	IBR	INDOOR BLOWER RELAY
CB2	CIRCUIT BREAKER #2	LAC	LOW AMBIENT CONTROL
CC	COMPRESSOR CONTACTOR	LOR	LOCK OUT RELAY
CCH	COMPRESSOR CRANKCASE HEATER	LPB	LOW PRESSURE BYPASS
COMP	COMPRESSOR	LPC	LOW PRESSURE CONTROL
DCC	DUAL CAN CAPACITOR	LS	LIMIT SWITCH
GND	EQUIPMENT GROUND	OFM	OUTDOOR FAN MOTOR
H1	HEAT STRIP #1	PL1	PLUG #1
H2	HEAT STRIP #2	SK	START KIT
HC1	HEATER CONTACTOR #1	T	TRANSFORMER
HC2	HEATER CONTACTOR #2	TB	TERMINAL BLOCK
HPC	HIGH PRESSURE CONTROL	TBL	LOW VOLTAGE TERMINAL BLOCK
IBC	INDOOR BLOWER CAPACITOR	TCO	THERMAL CUTOFF
IBM	INDOOR BLOWER MOTOR	TDR	TIME DELAY RELAY

A, B, E LABELED WIRES CONNECT IF NO OPTIONS USED.
 △ MOVE RED WIRE TO 208V TAP FOR 208V OPERATION
 △ RED (LOW) BLACK (HIGH) WHERE APPLICABLE

	FACTORY STD.	FIELD	OPTIONAL
HIGH VOLTAGE			
LOW VOLTAGE			
ACCESSORY			

COLOR CODE							
BK	BLACK	Y	YELLOW	V	VIOLET	T	TAN
BR	BROWN	G	GREEN	(PR)	PURPLE	PK	PINK
R	RED	BL	BLUE	GY	GRAY	L	LAVENDER
O	ORANGE	W	WHITE	(S)	SLATE		

**BARD MFG. CO.**  
4095-110 C