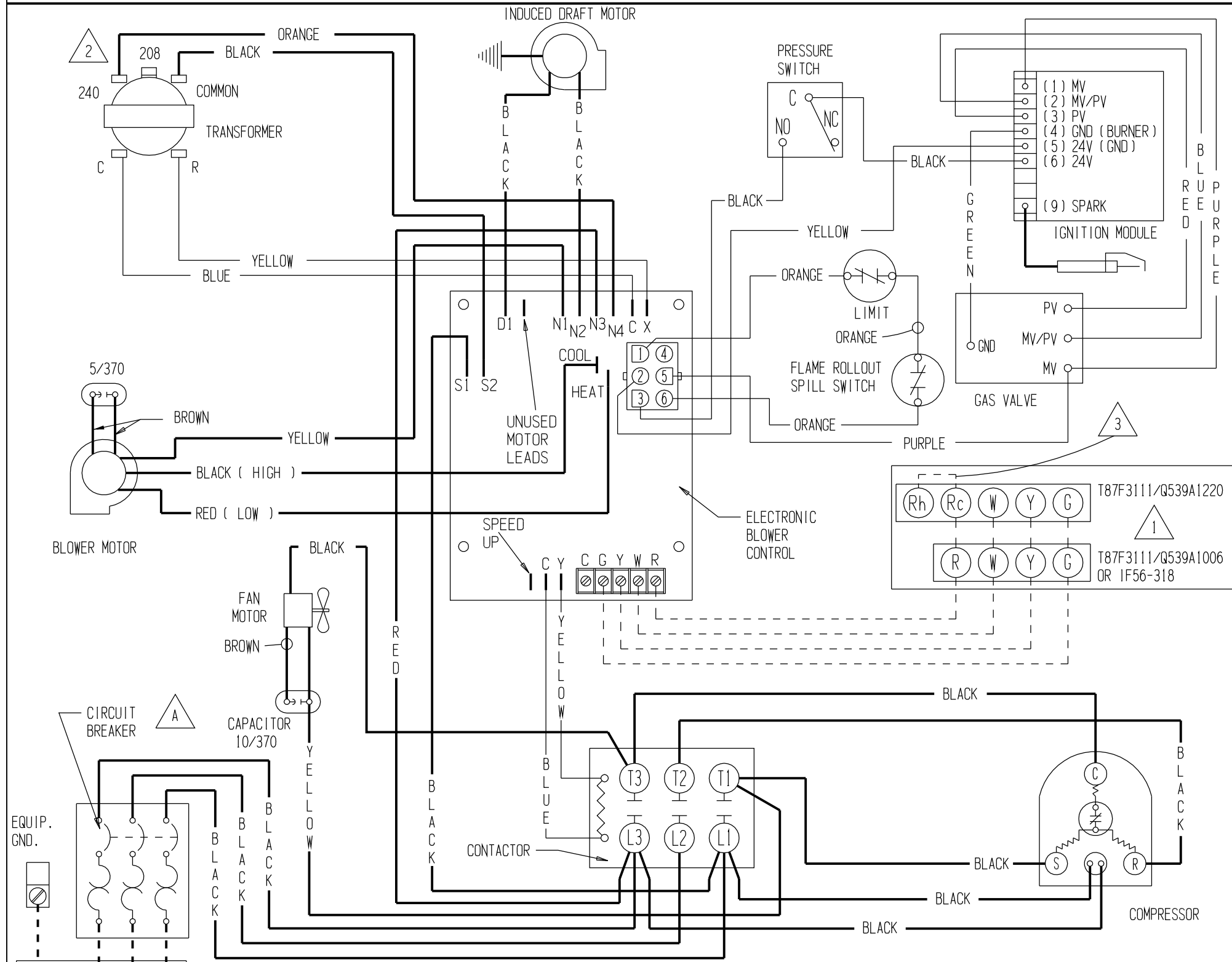
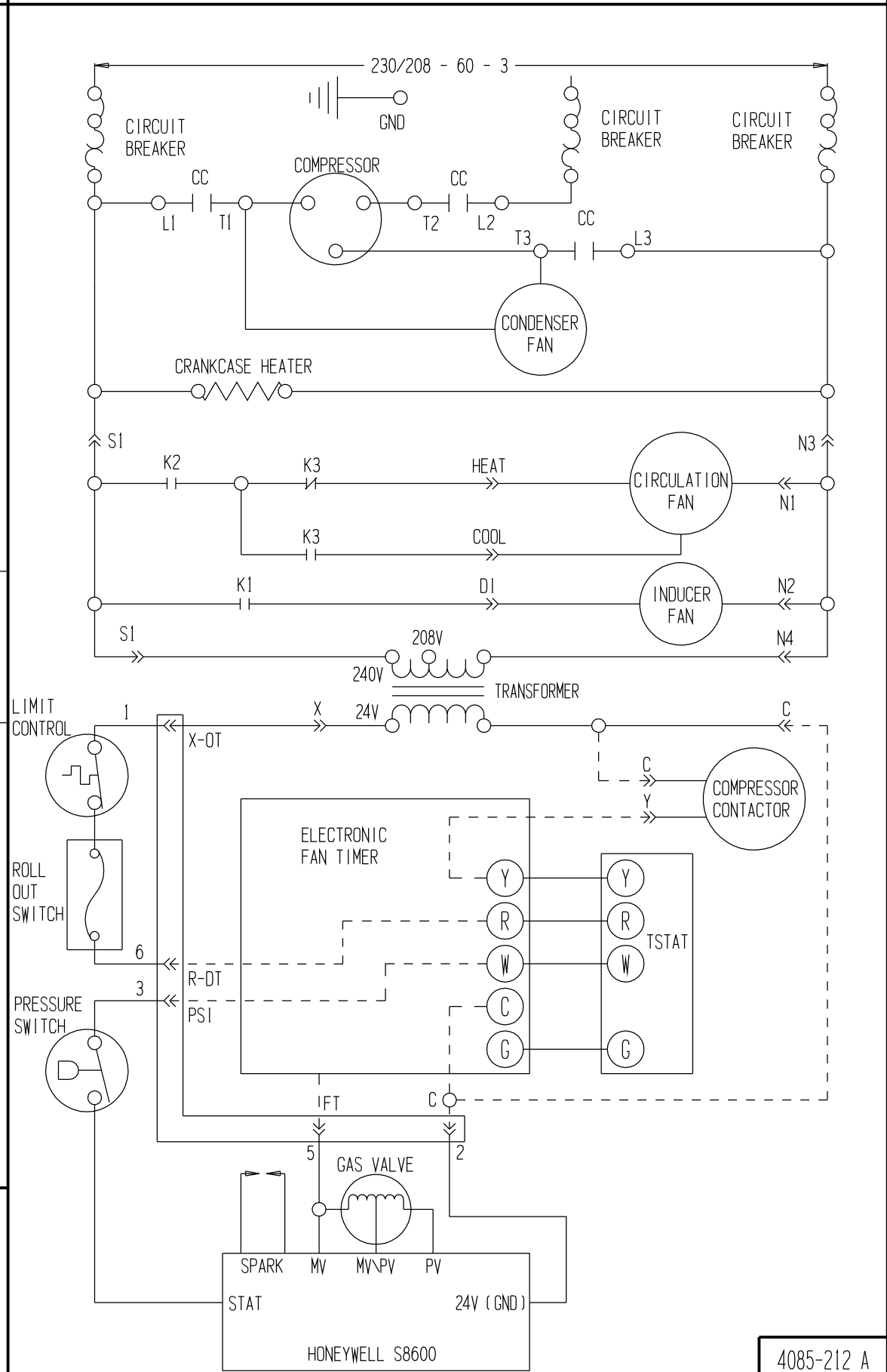


CONNECTION DIAGRAM

DANGER: ELECTRICAL SHOCK HAZARD,
DISCONNECT POWER BEFORE SERVICING



LADDER DIAGRAM



MODEL	CIRCUIT BREAKER	FACTORY WIRING	FIELD WIRING
WAG36C-B54C	30A	Low Voltage	-----
WAG40C-B54C	35A	High Voltage	-----

IF ANY OF THE ORIGINAL WIRE AS SUPPLIED WITH THE APPLIANCE MUST BE REPLACED, IT MUST BE REPLACED WITH WIRING MATERIAL HAVING A TEMPERATURE RATING OF AT LEAST 105°C EXCEPT THE IGNITION CABLE WHICH IS 250°C HIGH VOLTAGE CABLE.

USE COPPER OR ALUMINUM WIRE

1 SET HEAT ANTICIPATOR AT .6 A 2 FOR 208V OPERATION MOVE THIS WIRE TO 208V TRANSFORMER TAP 3 ADD JUMPER Rc - Rh