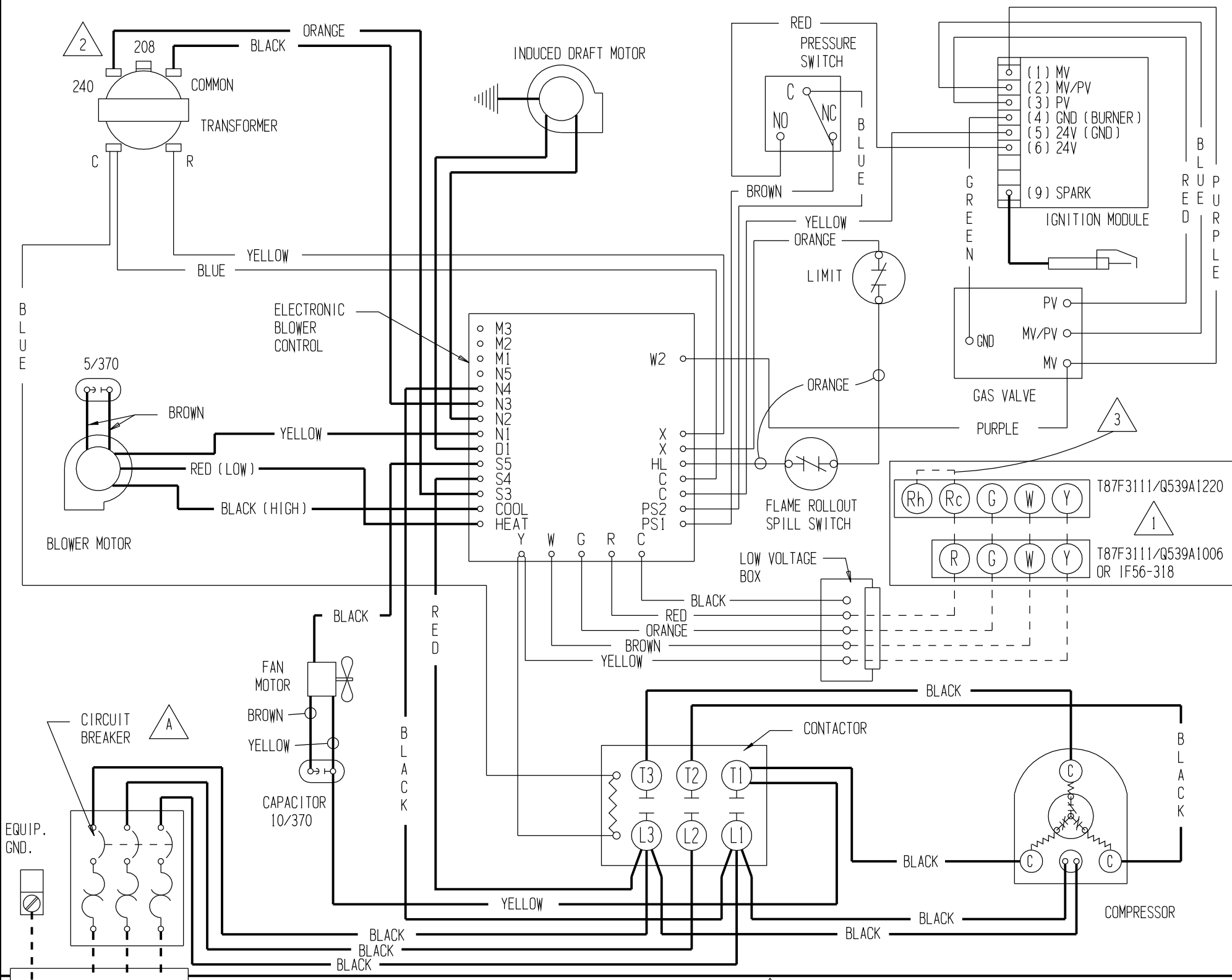
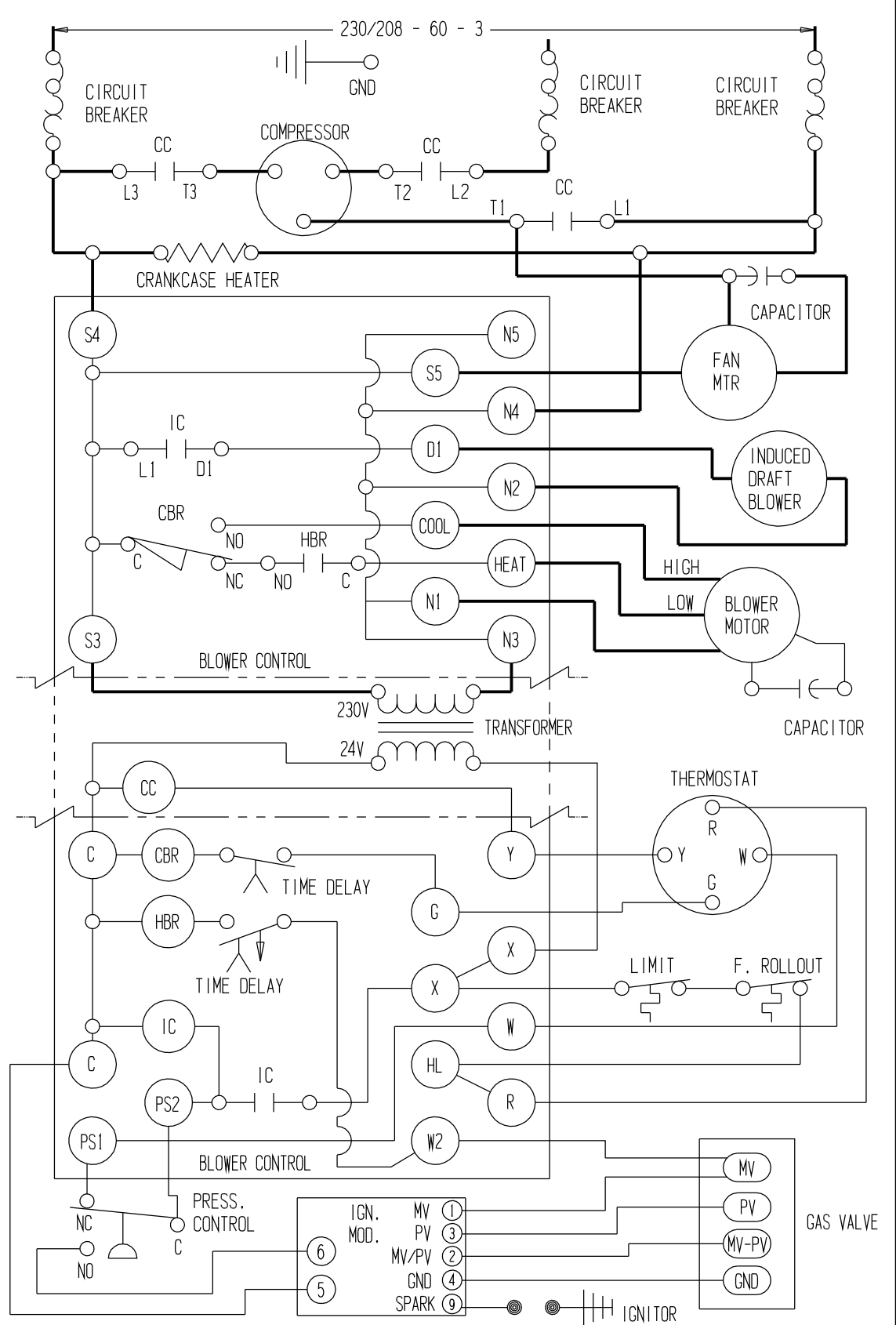


CONNECTION DIAGRAM

DANGER: ELECTRICAL SHOCK HAZARD,
DISCONNECT POWER BEFORE SERVICING



LADDER DIAGRAM



1 SET HEAT ANTICIPATOR AT .6 A
2 FOR 208V OPERATION MOVE THIS WIRE TO 208V TRANSFORMER TAP

USE COPPER OR ALUMINUM WIRE

MODEL	CIRCUIT BREAKER
WAG36B-B54C	30A
WAG40B-B54C	35A

3 ADD JUMPER R_c - R_h

	FACTORY WIRING	FIELD WIRING
Low Voltage	—————	-----
High Voltage	—————	-----

IF ANY OF THE ORIGINAL WIRE AS SUPPLIED WITH THE APPLIANCE MUST BE REPLACED, IT MUST BE REPLACED WITH WIRING MATERIAL HAVING A TEMPERATURE RATING OF AT LEAST 105° C. EXCEPT THE IGNITION CABLE WHICH IS 250° C. HIGH VOLTAGE CABLE.