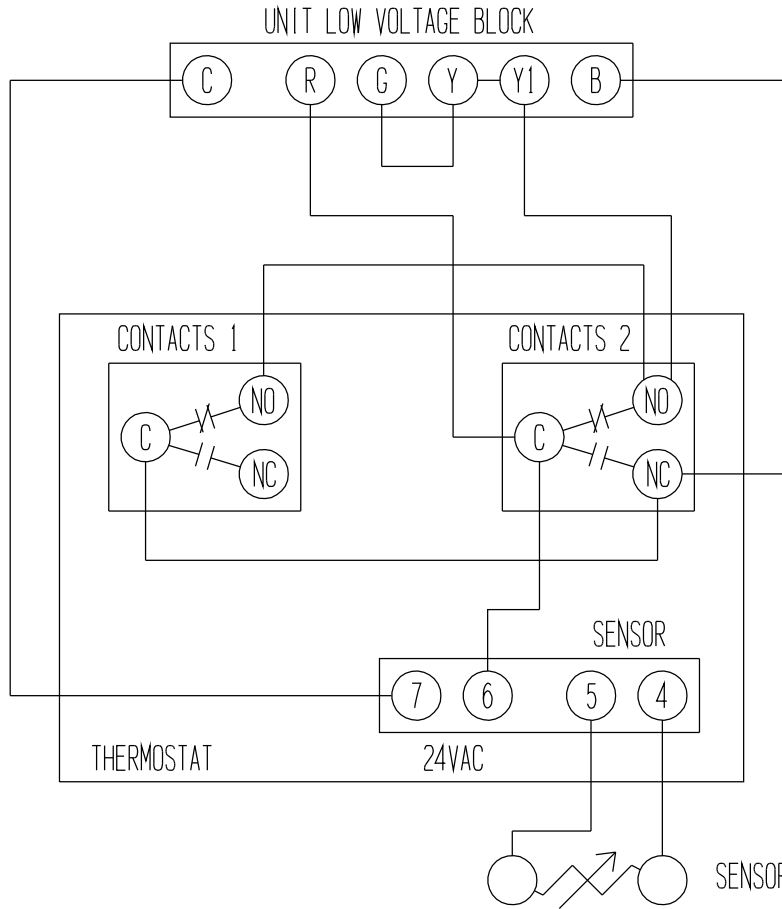


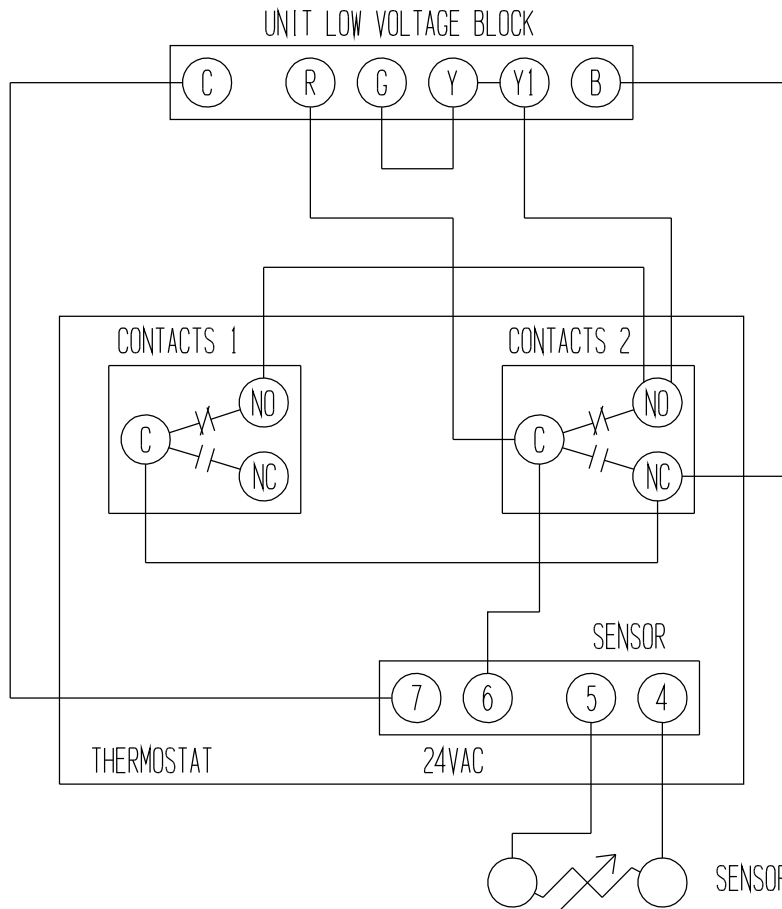
SEE INSIDE THERMOSTAT COVER FOR ADDITIONAL INFORMATION.



RECOMMENDED SETTINGS:  
DIFF. #1 1.5  
DIFF. #2 1.5  
OFFSET 10  
SETPOINT 68°  
HEAT/COOL MODE

4084-134

SEE INSIDE THERMOSTAT COVER FOR ADDITIONAL INFORMATION.



RECOMMENDED SETTINGS:  
DIFF. #1 1.5  
DIFF. #2 1.5  
OFFSET 10  
SETPOINT 68°  
HEAT/COOL MODE

4084-134