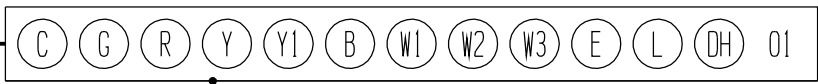


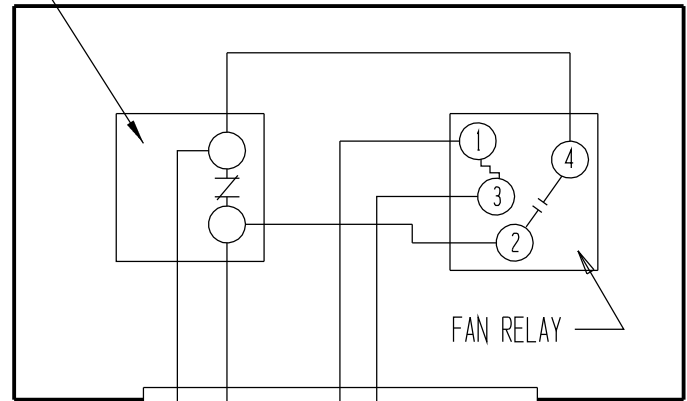
# CONTROL KIT TO BASIC UNIT CONNECTION DIAGRAM



230 / 208 - 60 - 1  
230 / 208 - 60 - 3

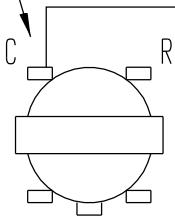
LOW AMBIENT CONTROL

24 V  
TERMINAL STRIP



ADD MULTIPLIER

SECONDARY



TRANSFORMER

PRIMARY

B  
L  
A  
C  
K

B  
L  
U  
E

R  
E  
D

R  
E  
D

Y  
E  
L  
O  
W  
B  
R  
O  
W  
N

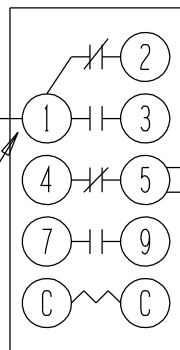
FAN  
C  
A  
P  
A  
C  
I  
T  
O  
R

REMOVE THIS WIRE

B  
L  
A  
C  
K  
C  
O  
M  
M  
O  
N

O  
U  
T  
D  
O  
O  
R  
F  
A  
N  
M  
O  
T  
O  
R

ADD  
M  
U  
L  
T  
I  
P  
L  
I  
E  
R



D  
E  
F  
R  
O  
S  
T  
R  
E  
L  
A  
Y



**1** THIS WIRE ATTACHES TO TERMINAL #2 OF THE 460V DEFROST RELAY ON 460 - 60 - 3 UNITS

- THIS OPTIONAL CONTROL ACCESSORY HAS BEEN ADDED TO THIS UNIT -  
- IF ECONOMIZER IS INSTALLED, CONTROL KIT IS LOCATED BEHIND COMPRESSOR PARTITION IN THE RETURN AIR OPENING -  
- - - - - FACTORY WIRE TO BE REMOVED  
- - - - - FACTORY WIRE TO BE RECONNECTED  
- - - - - FACTORY WIRING  
- - - - - FIELD WIRING CONNECTION