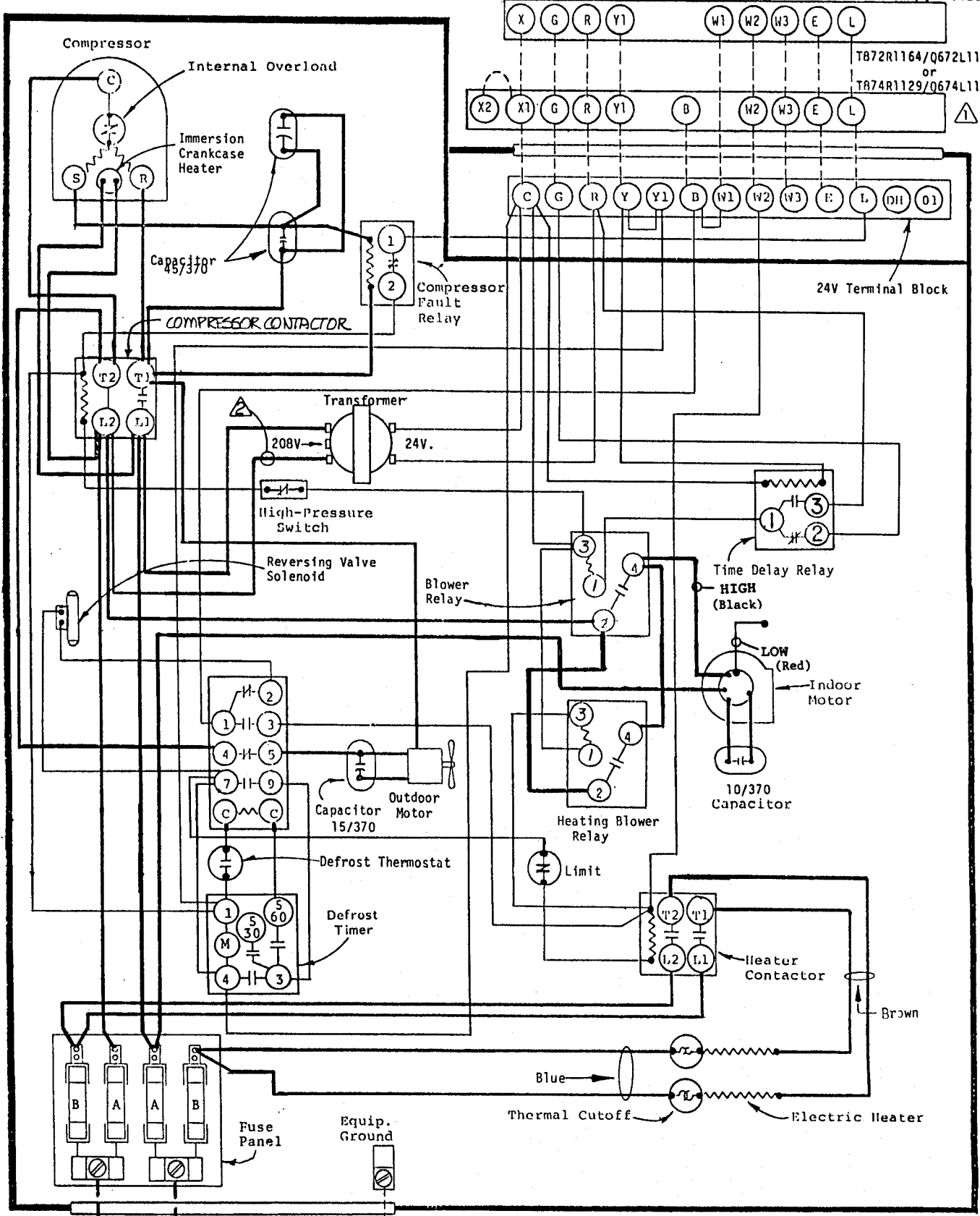


⚠ If there is an X1 and X2 terminal on Q674L1181, jumper them together and connect from C to either one.

⚠ For 208V operation move this wire to 208V transformer tap.

T872N1036/Q672F1299
or
T874N1024/Q674F1261

T872R1164/Q672L1185
or
T874R1129/Q674L1181



230/208-60-1

USE COPPER OR ALUMINUM WIRE

FACTORY WIRING	FIELD WIRING
Low Voltage ———	-----
High Voltage - - - - -	-----

Fuse A - 60A Time Delay
Fuse B - 60A Standard
All fuses Class K5

4078-132D