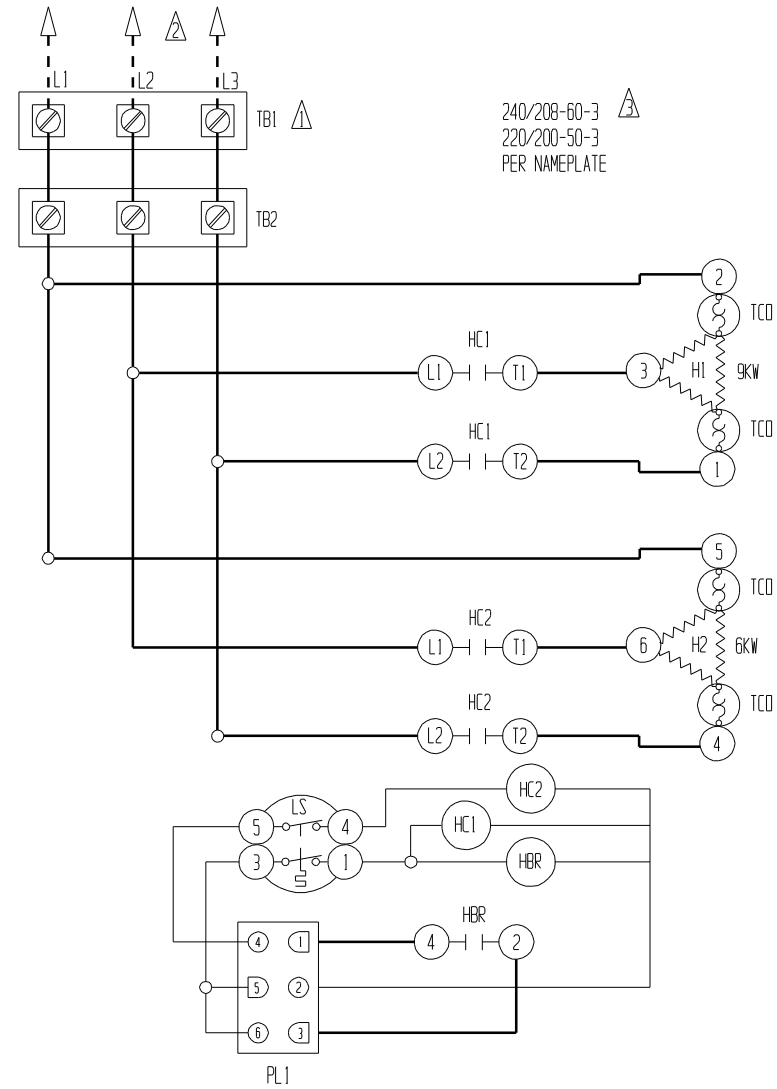
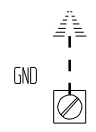


- ▲ TB1 & GND FIELD MOUNTED IN CONTROL PANEL OF UNIT
- ▲ USE COPPER CONDUCTORS SUITABLE FOR AT LEAST 75°C
- ▲ 50 HZ APPLICATION NOT UL LISTED

240/208-60-3
220/200-50-3 ▲



240/208-60-3 ▲
220/200-50-3
PER NAMEPLATE



COMPONENT CODE

GND	EQUIPMENT GROUND	HBR	HEATING BLOWER RELAY
H1	HEAT STRIP #1	LS	LIMIT SWITCH
H2	HEAT STRIP #2	PL1	PLUG #1
HC1	HEATER CONTACTOR #1	TB1	TERMINAL BLOCK 1
HC2	HEATER CONTACTOR #2	TB2	TERMINAL BLOCK 2
		TCO	THERMAL CUTOFF

	FACTORY STD.	FIELD	OPTIONAL
HIGH VOLTAGE	————	-----	-----
LOW VOLTAGE	————	-----	-----
ACCESSORY	————	-----	-----

COLOR CODE						
BK	BLACK	Y	YELLOW	V	VIOLET	T
BR	BROWN	G	GREEN	(PR)	PURPLE	PK
R	RED	BL	BLUE	GY	GRAY	L
D	ORANGE	W	WHITE	(S)	SLATE	

BARD MFG. CO.
4067-221 B