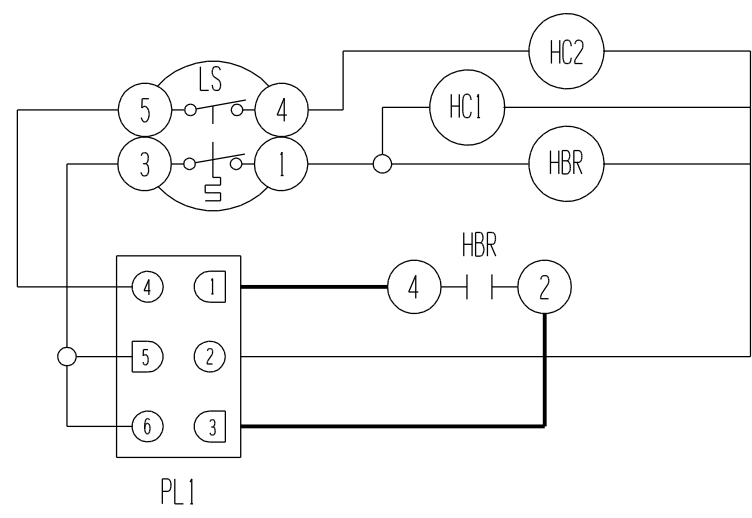
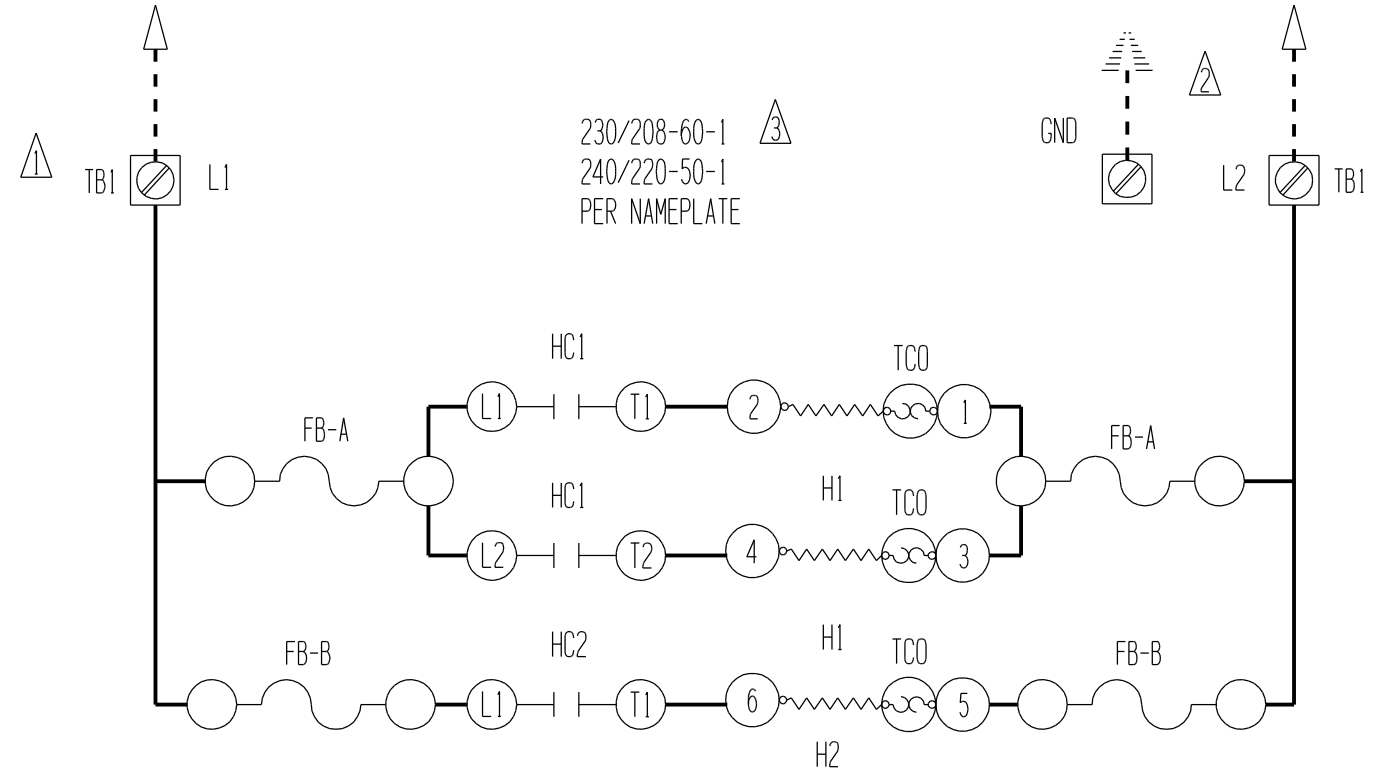


- ⚠ TB1 & GND FIELD MOUNTED IN CONTROL PANEL OF UNIT
- ⚠ USE COPPER CONDUCTORS SUITABLE FOR AT LEAST 75°C
- ⚠ 50 HZ APPLICATION NOT UL LISTED

FUSE A - 60A CLASS K-5 240V
 FUSE B - 30A CLASS K-5 240V

230/208-60-1
 240/220-50-1



COMPONENT CODE				COLOR CODE								BARD MFG. CO. 4067-131 C																							
FB	GND	H1	H2	HC1	HC2	HBR	LS	PL1	TB1	TCO	HIGH VOLTAGE		LOW VOLTAGE	ACCESSORY	FACTORY STD.	FIELD	OPTIONAL	BK	BR	R	O	Y	G	BL	W	V	(PR)	GY	(S)	T	PK	L	TAN	PINK	LAVENDER
FUSE BLOCK	EQUIPMENT GROUND	HEAT STRIP #1	HEAT STRIP #2	HEATER CONTACTOR #1	HEATER CONTACTOR #2	HEATING BLOWER RELAY	LIMIT SWITCH	PLUG #1	TERMINAL BLOCK 1	THERMAL CUTOFF	—————	—————	—————	—————	—————	—————	—————	BLACK	BROWN	RED	ORANGE	YELLOW	GREEN	BLUE	WHITE	VIOLET	(PURPLE)	GRAY	SLATE	TAN	PINK	LAVENDER			