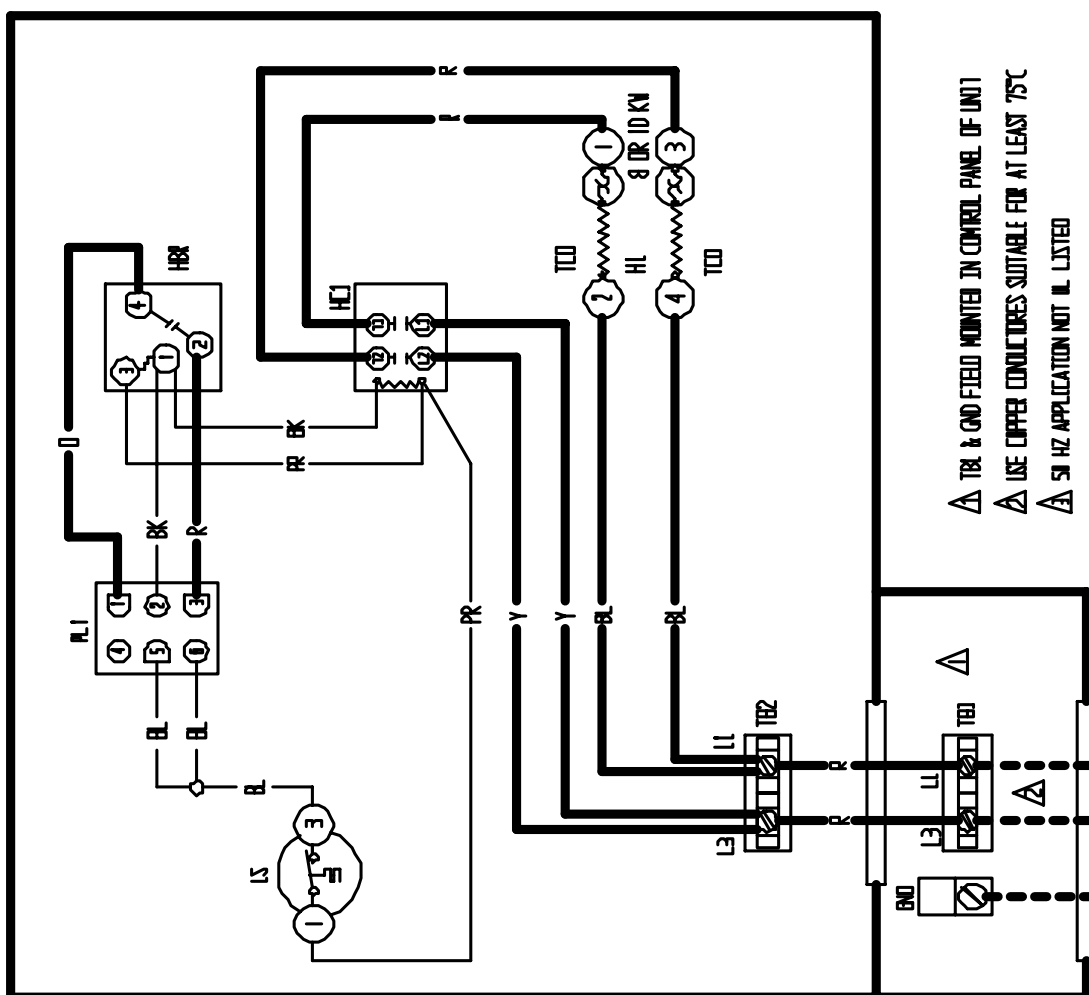


230/208-50-1
240/228-50-1
PER MANUFACTURE



- △ TR1 & GND FIELD MOUNTED IN CONTROL PANEL OF UNIT
- △ USE COPPER CONDUCTORS SUITABLE FOR AT LEAST 75°C
- △ 50 HZ APPLICATION NOT IN LISTED

COMPONENT CODE		COLOR CODE				BARD IPRG. CO.		
GROUND	HEATING BLOWER RELAY	BK	Y	V	T	TAN	ONE: 4087-122	
H1	LIMIT SWITCH	BR	G	Y (PR)	RK	PINK	DRN: DUCHE	
H2	PLUG #1	R	B	GY	L	LAVENDER	GRK: AFPR	
H3	TERMINAL BLOCK 1			W				
H4	TERMINAL BLOCK 2							
H5	TERMINAL CUTOFF							