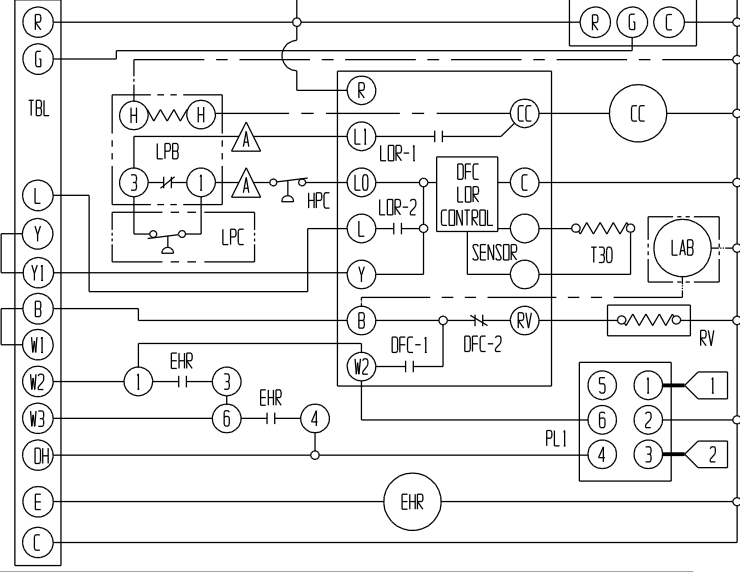
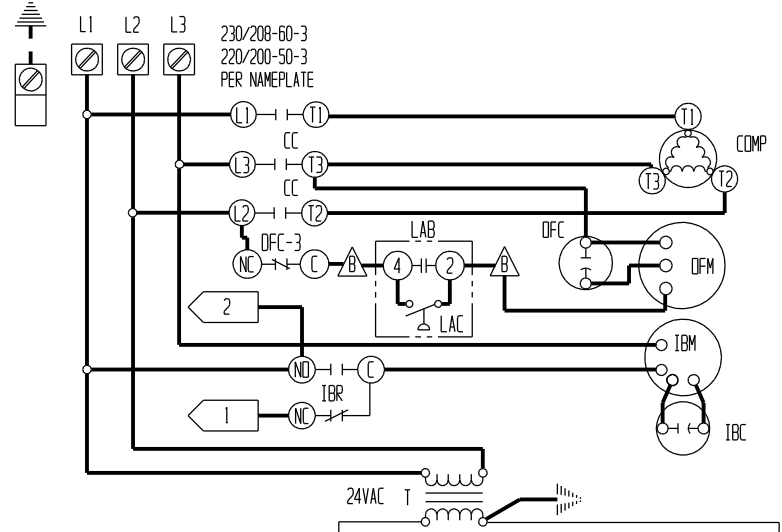
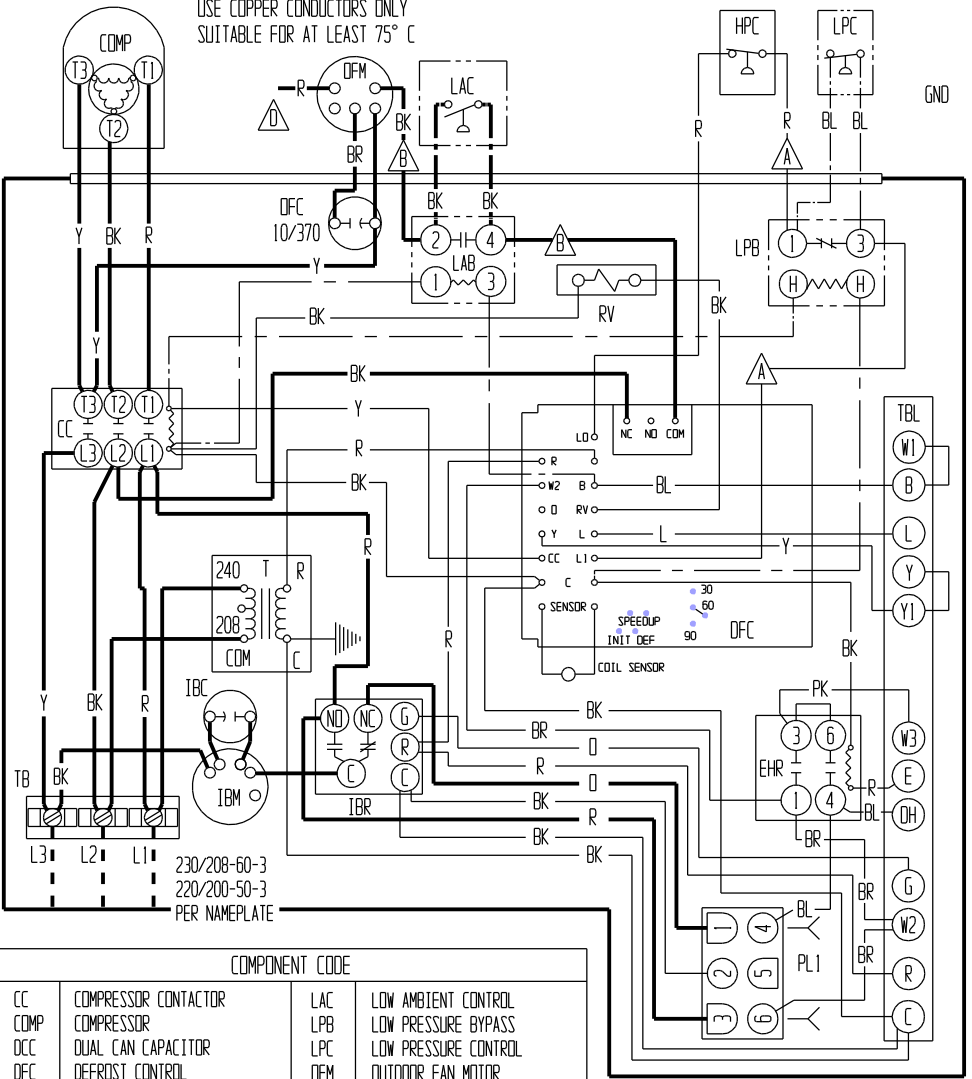


USE COPPER CONDUCTORS ONLY
SUITABLE FOR AT LEAST 75° C



COMPONENT CODE			
CC	COMPRESSOR CONTACTOR	LAC	LOW AMBIENT CONTROL
COMP	COMPRESSOR	LPB	LOW PRESSURE BYPASS
DCC	DUAL CAN CAPACITOR	LPC	LOW PRESSURE CONTROL
DFC	DEFROST CONTROL	DFM	OUTDOOR FAN MOTOR
EHR	EMERGENCY HEAT RELAY	PL1	PLUG #1
GND	EQUIPMENT GROUND	RV	REV. VALVE SOLINOID
HPC	HIGH PRESSURE CONTROL	TCT	TOP CAP THERMOSTAT
IBC	INDOOR BLOWER CAPACITOR	T	TRANSFORMER
IBM	INDOOR BLOWER MOTOR	TB	TERMINAL BLOCK
IBR	INDOOR BLOWER RELAY	TBL	LOW VOLTAGE TERMINAL BLOCK
LAB	LOW AMBIENT BYPASS CONTROL		

Labeled Wires Connect if no options used.			Move red wire to 208V tap for 208V operation			Red (Low) Black (High) where applicable					
	FACTORY STD.	FIELD	OPTIONAL	COLOR CODE							
HIGH VOLTAGE	————	- - - -	- · - ·	BK	BLACK	Y	YELLOW	V	VIOLET	T	TAN
LOW VOLTAGE	————	- - - -	- · - ·	BR	BROWN	G	GREEN	(PR)	PURPLE	PK	PINK
ACCESSORY	————	- - - -	- · - ·	R	RED	BL	BLUE	GY	GRAY	L	LAVENDER
				D	ORANGE	W	WHITE	(S)	SLATE		

BARD MFG. CO.
4066-211 C