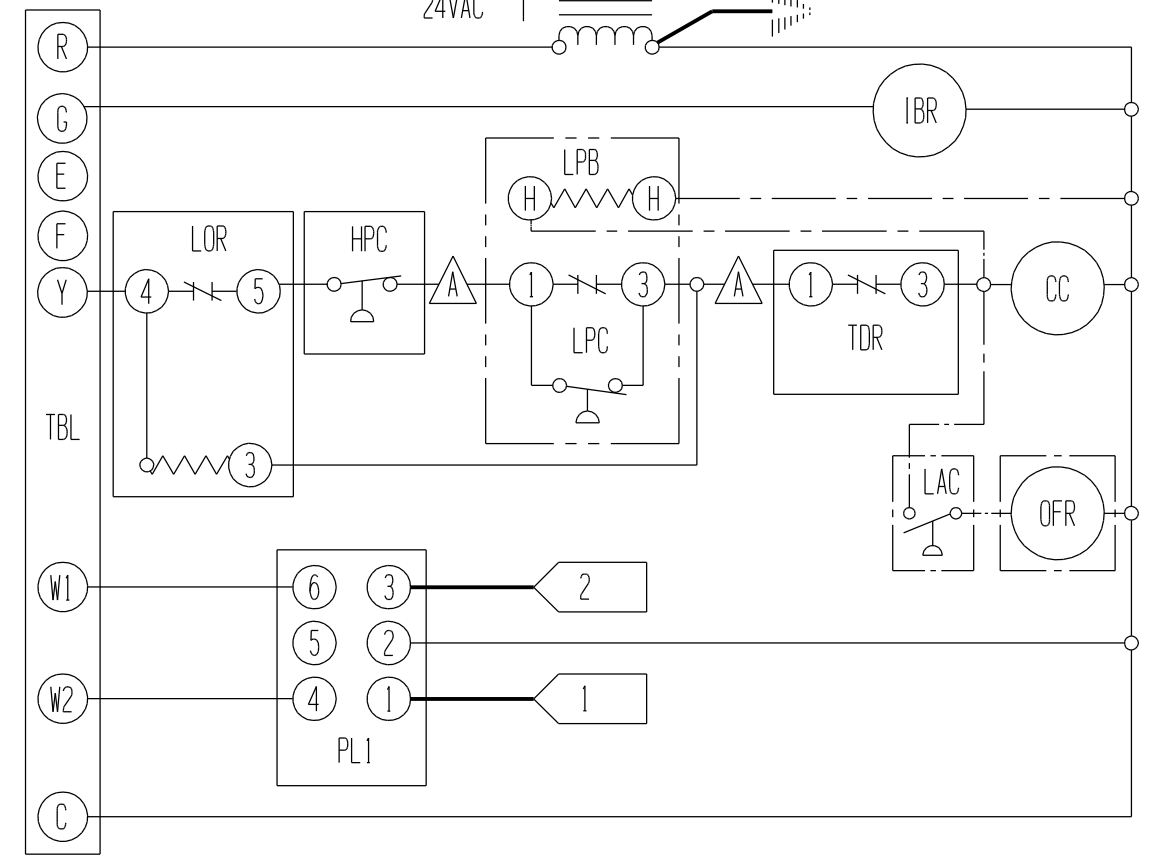
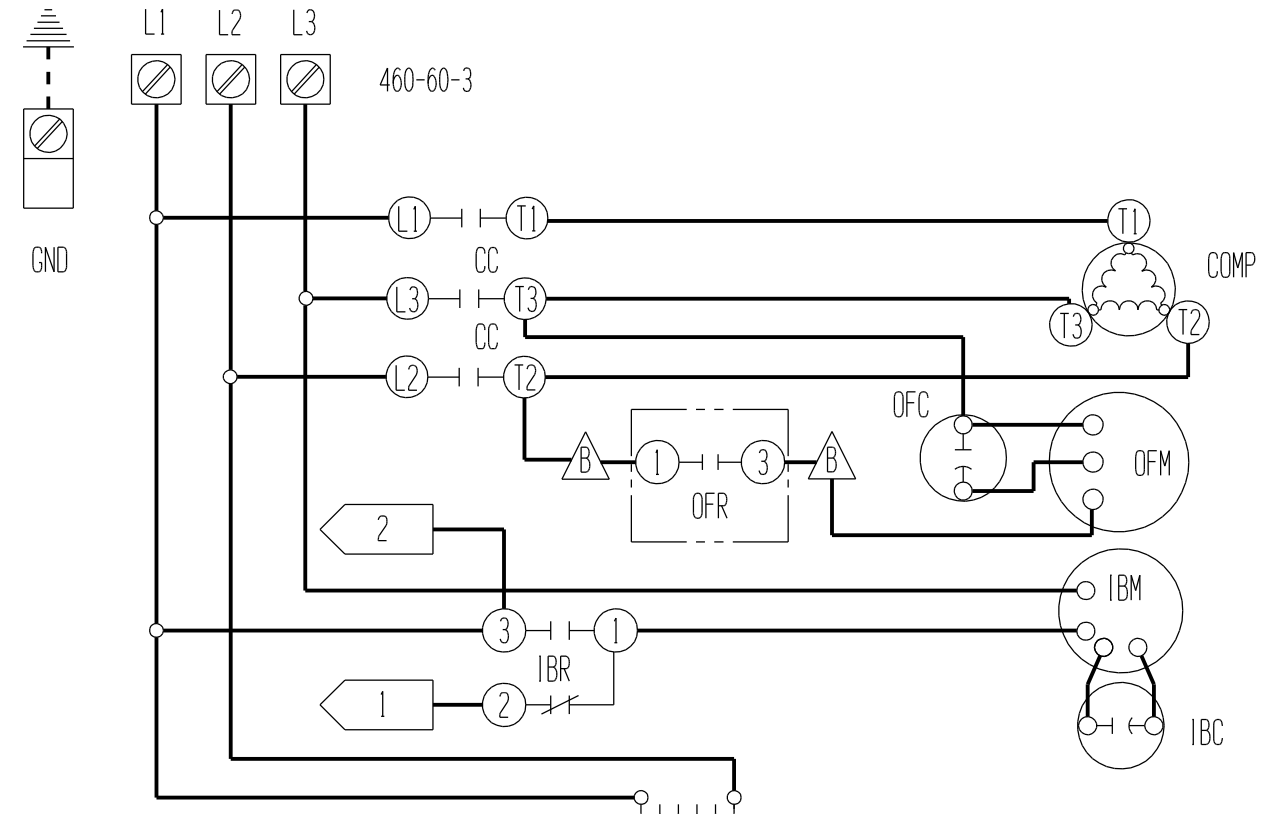


USE COPPER CONDUCTORS ONLY
SUITABLE FOR AT LEAST 75° C



COMPONENT CODE			
CC	COMPRESSOR CONTACTOR	LPC	LOW PRESSURE CONTROL
COMP	COMPRESSOR	OFC	OUTDOOR FAN CAPACITOR
DCC	DUAL CAN CAPACITOR	OFM	OUTDOOR FAN MOTOR
GND	EQUIPMENT GROUND	OFR	OUTDOOR FAN RELAY
HPC	HIGH PRESSURE CONTROL	PL1	PLUG #1
IBC	INDOOR BLOWER CAPACITOR	T	TRANSFORMER
IBM	INDOOR BLOWER MOTOR	TB	TERMINAL BLOCK
IBR	INDOOR BLOWER RELAY	TBL	LOW VOLTAGE TERMINAL BLOCK
LAC	LOW AMBIENT CONTROL	TDR	TIME DELAY RELAY
LOR	LOCK OUT RELAY		
LPB	LOW PRESSURE BYPASS		

LABELED WIRES CONNECT IF NO OPTIONS USED. RED WIRE FOR 50 HZ. OPERATION ONLY

	FACTORY STD.	FIELD	OPTIONAL	COLOR CODE							
HIGH VOLTAGE				BK	BLACK	Y	YELLOW	V	VIOLET	T	TAN
LOW VOLTAGE				BR	BROWN	G	GREEN	(PR)	PURPLE	PK	PINK
ACCESSORY				R	RED	BL	BLUE	GY	GRAY	L	LAVENDER
				O	ORANGE	W	WHITE	(S)	SLATE		

BARD MFG. CO.
4064-314 A