

230/208-60-1
240/220-50-1
PER NAMEPLATE

USE COPPER CONDUCTORS ONLY
SUITABLE FOR AT LEAST 75°C

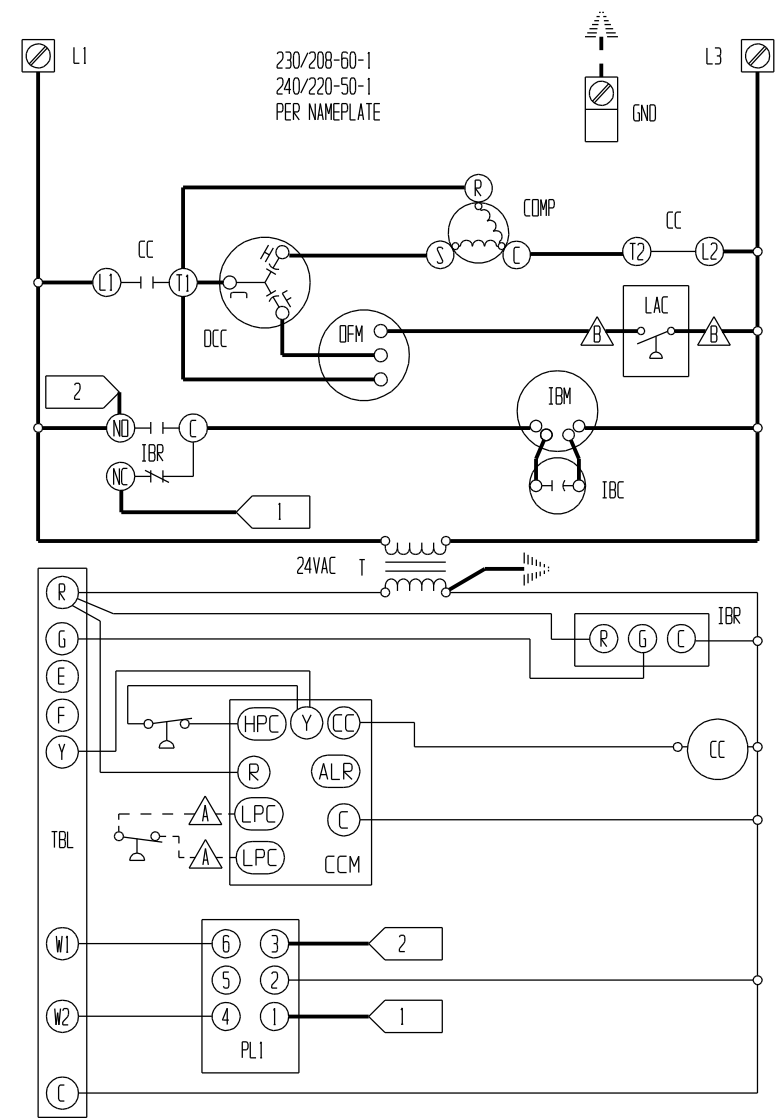
COMPONENT CODE			
CC	COMPRESSOR CONTACTOR	LPB	LOW PRESSURE BYPASS
CCM	COMPRESSOR CONTROL MODULE	LPC	LOW PRESSURE CONTROL
COMP	COMPRESSOR	OFM	OUTDOOR FAN MOTOR
DCC	DUAL CAN CAPACITOR	PL1	PLUG #1
GND	EQUIPMENT GROUND	T	TRANSFORMER
HPC	HIGH PRESSURE CONTROL	TB	TERMINAL BLOCK
IBC	INDOOR BLOWER CAPACITOR	TBL	LOW VOLTAGE TERMINAL BLOCK
IBM	INDOOR BLOWER MOTOR		
IBR	INDOOR BLOWER RELAY		
LAC	LOW AMBIENT CONTROL		

CAPACITOR	PART NO.
55/10 440	8552-056

A, **B** LABELED WIRES CONNECT IF NO OPTIONS USED. **C** MOVE RED WIRE TO 208V TAP FOR 208V OPERATION **D** RED WIRE FOR 50 HZ. OPERATION ONLY

HIGH VOLTAGE	FACTORY STD.	FIELD	OPTIONAL	COLOR CODE													
				BK	BR	R	O	Y	G	BL	W	V (PR)	PURPLE	GY	GRAY	SLATE	T PK
	————	-----	-----	BLACK	BROWN	RED	ORANGE	BROWN	GREEN	BLUE	WHITE	YELLOW	PURPLE	GRAY	SLATE	PINK	LAVENDER

BARD MFG. CO.
4064-118 B



230/208-60-1
240/220-50-1
PER NAMEPLATE

24VAC T