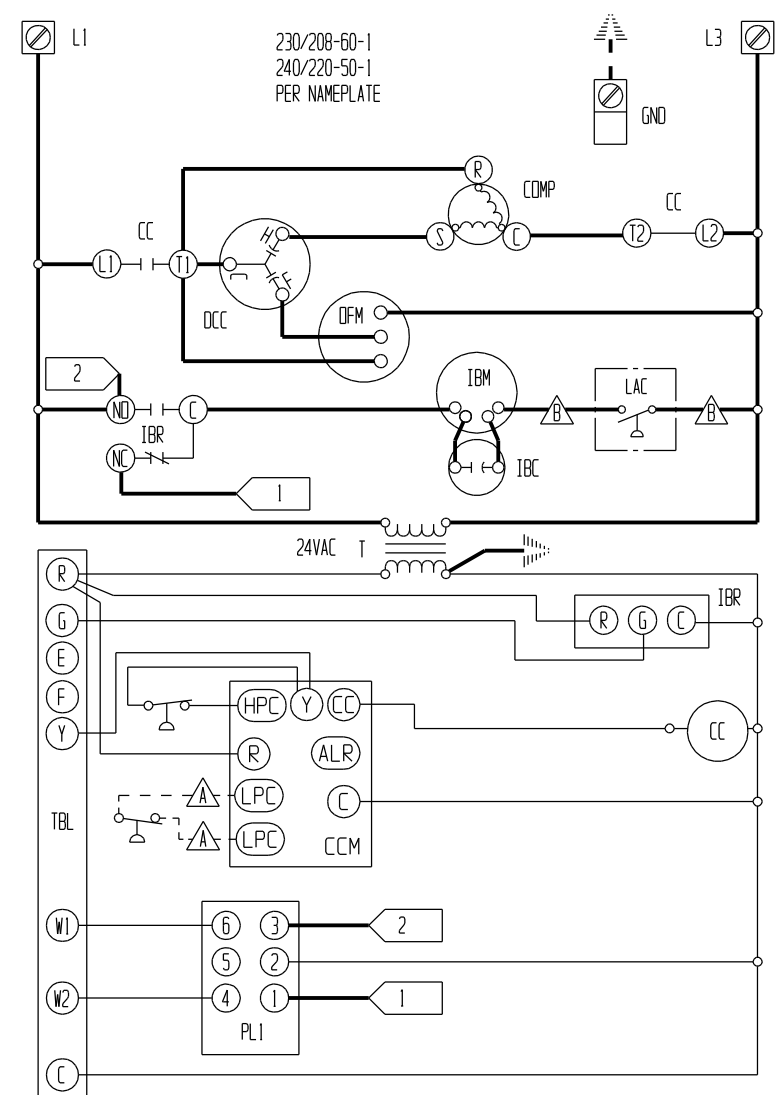


230/208-60-1
240/220-50-1
PER NAMEPLATE

USE COPPER CONDUCTORS ONLY
SUITABLE FOR AT LEAST 75° C



230/208-60-1
240/220-50-1
PER NAMEPLATE

COMPONENT CODE			
CC	COMPRESSOR CONTACTOR	LPB	LOW PRESSURE BYPASS RELAY
CCM	COMPRESSOR CONTROL MODULE	LPC	LOW PRESSURE CONTROL
COMP	COMPRESSOR	DFC	OUTDOOR FAN CAPACITOR
DCC	DUAL CAN CAPACITOR	DFM	OUTDOOR FAN MOTOR
GND	EQUIPMENT GROUND	PL1	PLUG #1
HPC	HIGH PRESSURE CONTROL	T	TRANSFORMER
IBC	INDOOR BLOWER CAPACITOR	TB	TERMINAL BLOCK
IBM	INDOOR BLOWER MOTOR	TBL	LOW VOLTAGE TERMINAL BLOCK
IBR	INDOOR BLOWER RELAY		
LAC	LOW AMBIENT CONTROL		

MODEL	CAPACITOR	PART NO.
P1148A2	60/10 370	8552-059
P1060A1	80/10 370	8552-058

⚠️ Labeled wires connect if no options used. ⚠️ Move red wire to 208V tap for 208V operation ⚠️ Red wire for 50 Hz. operation only

HIGH VOLTAGE	FACTORY STD.	FIELD	OPTIONAL	COLOR CODE														
				BK	BR	R	O	Y	G	BL	W	V	(PR)	GY	(S)	T	PK	L
BLACK	—	---	----	BK	BR	R	O	Y	G	BL	W	V	(PR)	GY	(S)	T	PK	L
BROWN	—	---	----															
RED	—	---	----															
ORANGE	—	---	----															
GREEN	—	---	----															
YELLOW	—	---	----															
PURPLE	—	---	----															
PINK	—	---	----															
GRAY	—	---	----															
SLATE	—	---	----															

BARD MFG. CO.
4064-116 D