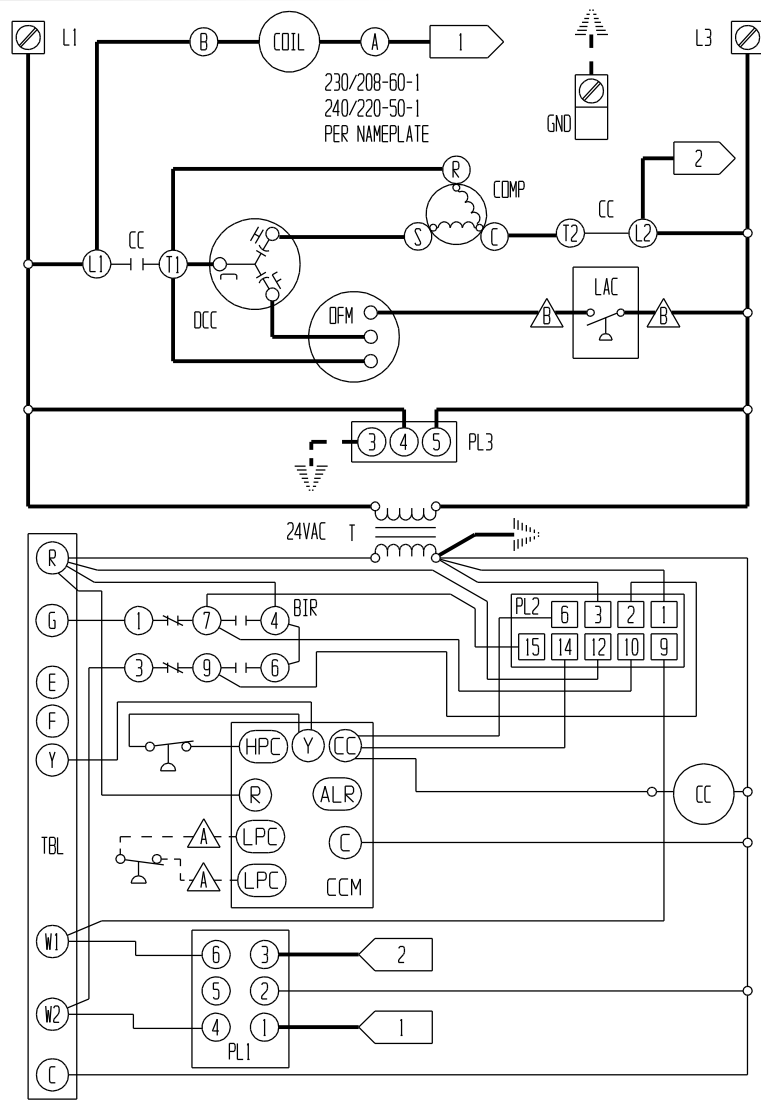


230/208-60-1
240/220-50-1
PER NAMEPLATE
USE COPPER CONDUCTORS ONLY
SUITABLE FOR AT LEAST 75° C



COMPONENT CODE		CAPACITOR	PART NO.	MODEL
BIR	BLOWER INTERLOCK RELAY	45/5 370	8552-052	P1224A1
CC	COMPRESSOR CONTACTOR	45/5 370	8552-052	P1230A1
CCM	COMPRESSOR CONTROL MODULE	50/5 370	8552-063	P1236A1
COMP	COMPRESSOR			
DCC	DUAL CAN CAPACITOR			
GND	EQUIPMENT GROUND			
HPC	HIGH PRESSURE CONTROL			
LAC	LOW AMBIENT CONTROL			
LPB	LOW PRESSURE BYPASS			
LPC	LOW PRESSURE CONTROL			
DFM	OUTDOOR FAN MOTOR			
PL1	PLUG #1			
PL2	PLUG #2			
PL3	PLUG #3			
T	TRANSFORMER			
TB	TERMINAL BLOCK			
TBL	LOW VOLTAGE TERMINAL BLOCK			

	FACTORY STD.	FIELD	OPTIONAL
HIGH VOLTAGE	————	- - - -	- · - ·
LOW VOLTAGE	————	- - - -	· - - ·
ACCESSORY	————	- - - -	· - - ·

▲ Labeled wires connect if no options used. ▲ MOVE ORANGE WIRE TO 208V TAP FOR 208V OPERATION

COLOR CODE						
BK	BLACK	Y	YELLOW	V	VIOLET	T
BR	BROWN	G	GREEN	(PR)	PURPLE	PK
R	RED	BL	BLUE	GY	GRAY	L
O	ORANGE	W	WHITE	(S)	SLATE	

BARD MFG. CO.
4063-131 D