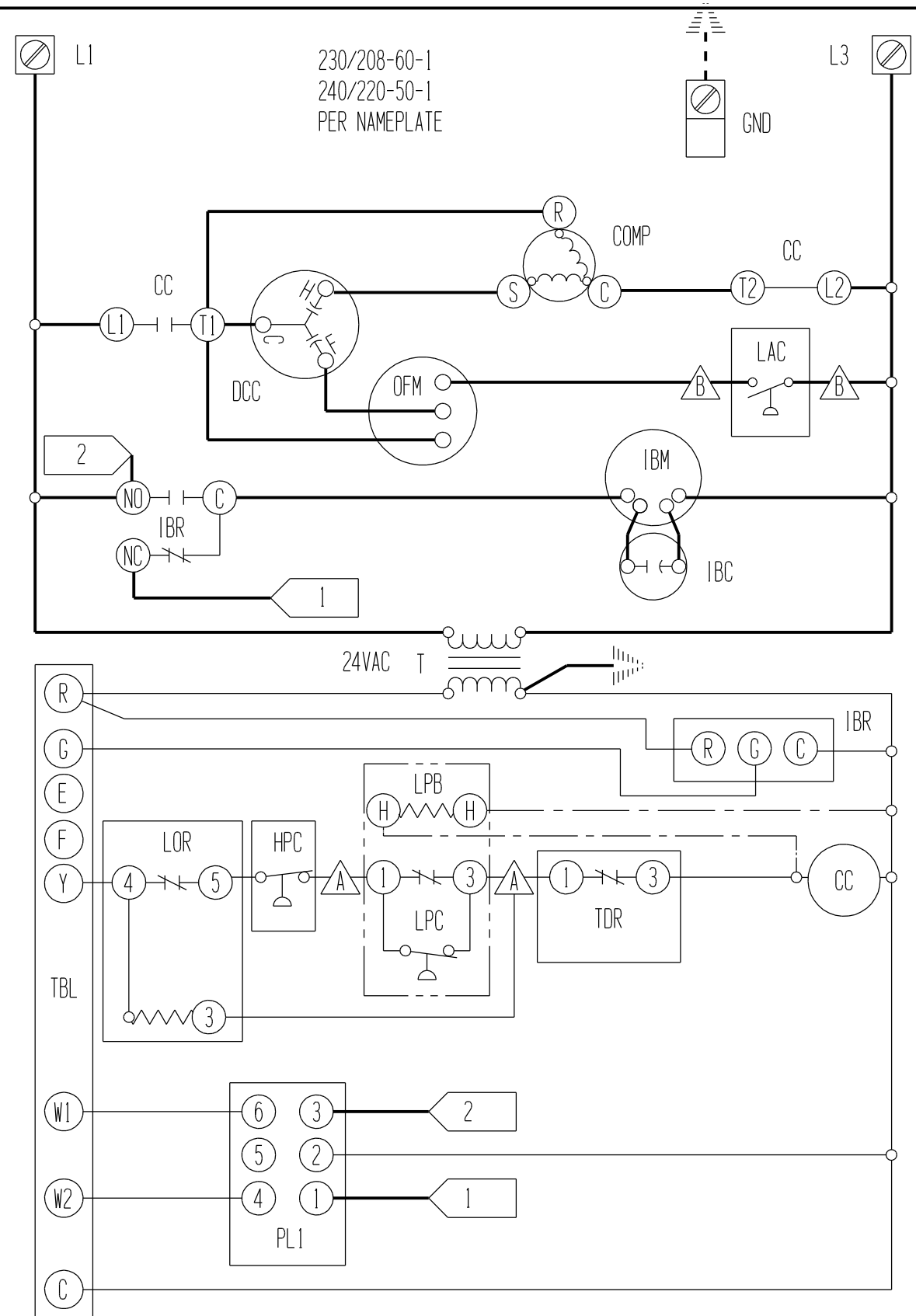


230/208-60-1
240/220-50-1
PER NAMEPLATE

USE COPPER CONDUCTORS ONLY
SUITABLE FOR AT LEAST 75° C



230/208-60-1
240/220-50-1
PER NAMEPLATE

24VAC T

COMPONENT CODE			
CC	COMPRESSOR CONTACTOR	LPC	LOW PRESSURE CONTROL
COMP	COMPRESSOR	OFM	OUTDOOR FAN MOTOR
DCC	DUAL CAN CAPACITOR	PL1	PLUG #1
GND	EQUIPMENT GROUND	T	TRANSFORMER
HPC	HIGH PRESSURE CONTROL	TB	TERMINAL BLOCK
IBC	INDOOR BLOWER CAPACITOR	TBL	LOW VOLTAGE TERMINAL BLOCK
IBM	INDOOR BLOWER MOTOR	TDR	TIME DELAY RELAY
IBR	INDOOR BLOWER RELAY	TCT	TOP CAP THERMOSTAT
LAC	LOW AMBIENT CONTROL		
LOR	LOCK OUT RELAY		
LPB	LOW PRESSURE BYPASS		

CAPACITOR	PART NO.	MODEL
45/5 370	8552-052	P1130A2
50/5 370	8552-063	P1136A2

A, **B** LABELED WIRES CONNECT IF NO OPTIONS USED. **C** MOVE ORANGE WIRE TO 208V TAP FOR 208V OPERATION

	FACTORY STD.	FIELD	OPTIONAL
HIGH VOLTAGE	————	-----	-----
LOW VOLTAGE	————	-----	-----
ACCESSORY	————	-----	-----

COLOR CODE							
BK	BLACK	Y	YELLOW	V	VIOLET	T	TAN
BR	BROWN	G	GREEN	(PR)	PURPLE	PK	PINK
R	RED	BL	BLUE	GY	GRAY	L	LAVENDER
O	ORANGE	W	WHITE	(S)	SLATE		

BARD MFG. CO.
4063-130 B