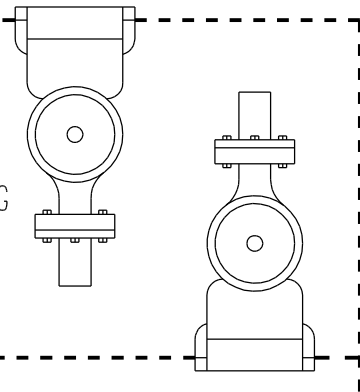


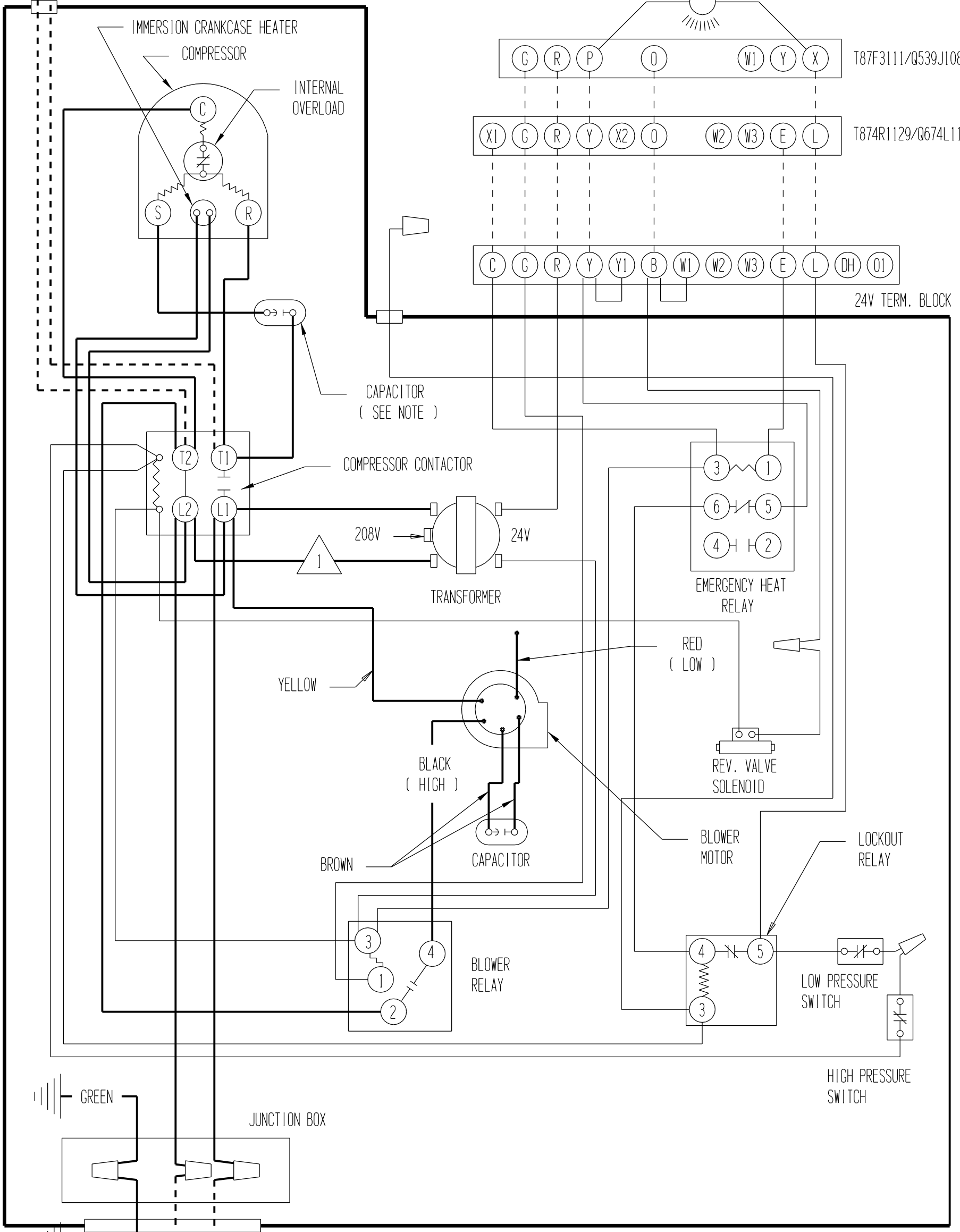
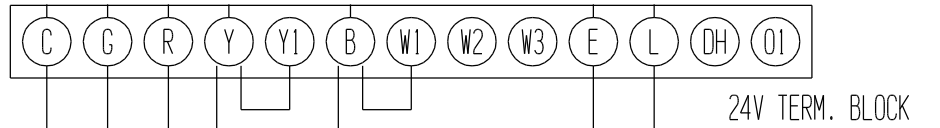
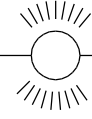
WATER  
CIRCULATING  
PUMPS



REFER TO CONTROL CIRCUIT WIRING ON CONTROL PANEL COVER AND INSTALLATION INSTRUCTIONS FOR HOOK-UP OF OPTIONAL DUCT HEATER

SET HEAT ANTICIPATOR AT .45A FOR EITHER TYPE OF WALL THERMOSTAT

CHECK LIGHT



⚠ FOR 208V OPERATION MOVE THIS WIRE TO 208V TRANSFORMER TAP

⚠ USE WIRING RATED FOR USE IN NEC CLASS 1 SYSTEM

230/208 - 60 - 1

CAPACITOR RATINGS		
MODEL	COMPRESSOR	BLOWER
WPV30B	30/370	7-1/2/370
WPV36B	40/370	

	FACTORY WIRING	FIELD WIRING
Low Voltage	—	- - - - -
High Voltage	—	- - - - -

USE COPPER CONDUCTORS ONLY