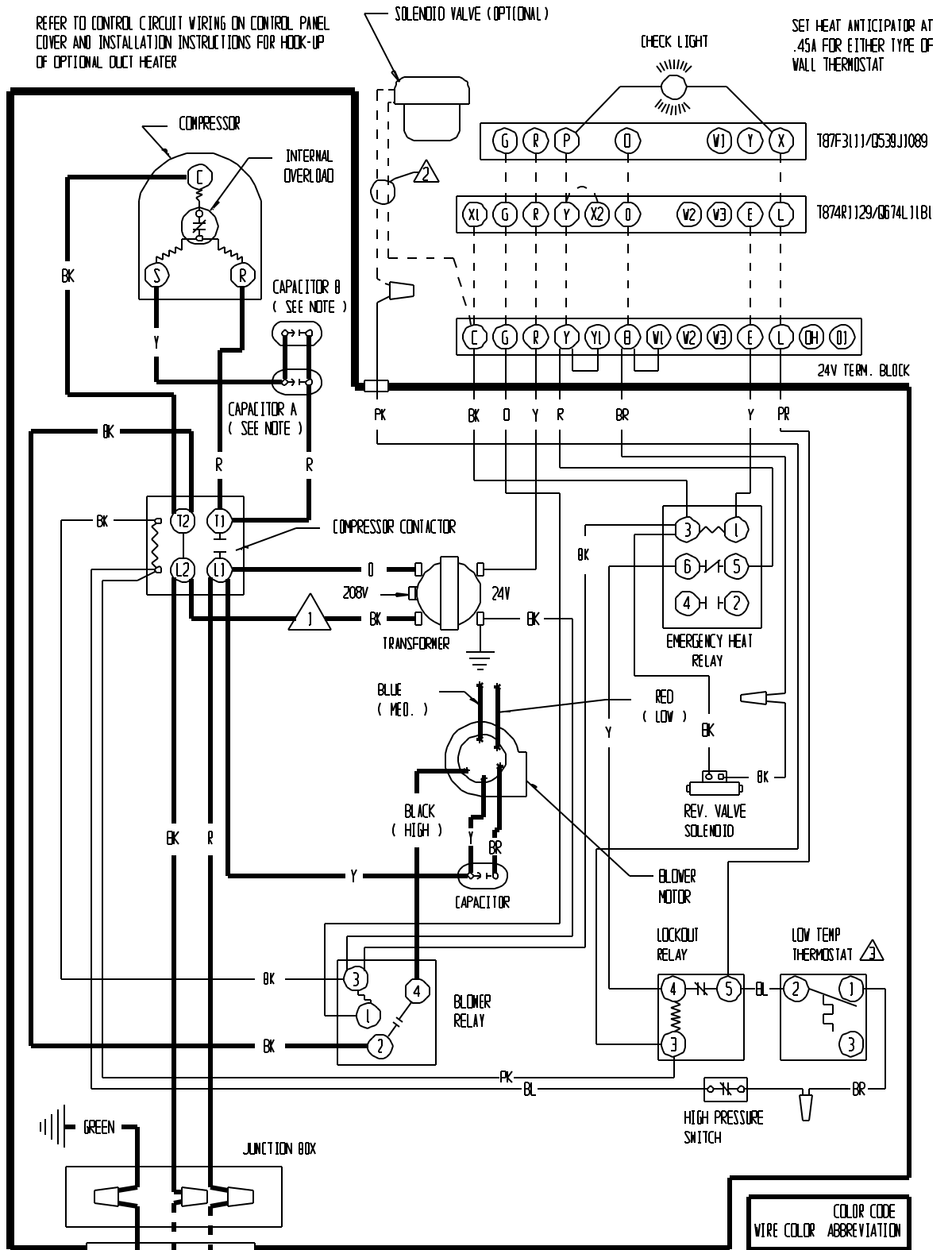


REFER TO CONTROL CIRCUIT WIRING ON CONTROL PANEL COVER AND INSTALLATION INSTRUCTIONS FOR HOOK-UP OF OPTIONAL DUCT HEATER

SET HEAT ANTICIPATOR AT .45A FOR EITHER TYPE OF WALL THERMOSTAT



⚠ FOR 208V OPERATION MOVE THIS WIRE TO 208V TRANSFORMER TAP

⚠ USE WIRING RATED FOR USE IN NEC CLASS 1 SYSTEM

⚠ FACTORY SET AT 25° FOR OPEN LOOP APPLICATION  
RESET TO 15°F FOR CLOSED LOOP APPLICATIONS

Low Voltage High Voltage	FACTORY WIRING		FIELD WIRING	
	---	---	---	---

COLOR CODE	
WIRE COLOR	ABBREVIATION
BLACK	BK
BROWN	BR
RED	R
ORANGE	O
YELLOW	Y
GREEN	G
BLUE	BL
VIOLET(PURPLE)	V(PR)
GRAY(SLATE)	GY(S)
WHITE	W
TAN	T
PINK	PK
LAVENDER	L

USE COPPER CONDUCTORS RATED FOR MINIMUM OF 75° C ONLY

MODEL	COMPRESSOR		BLOWER
	CAP. "A"	CAP. "B"	CAP. "A" AND "B"
WPV42C	40/370	20/370	7.5/370
WPV48C	40/370	20/370	7.5/370
WPV60C	40/370	40/370	7.5/370