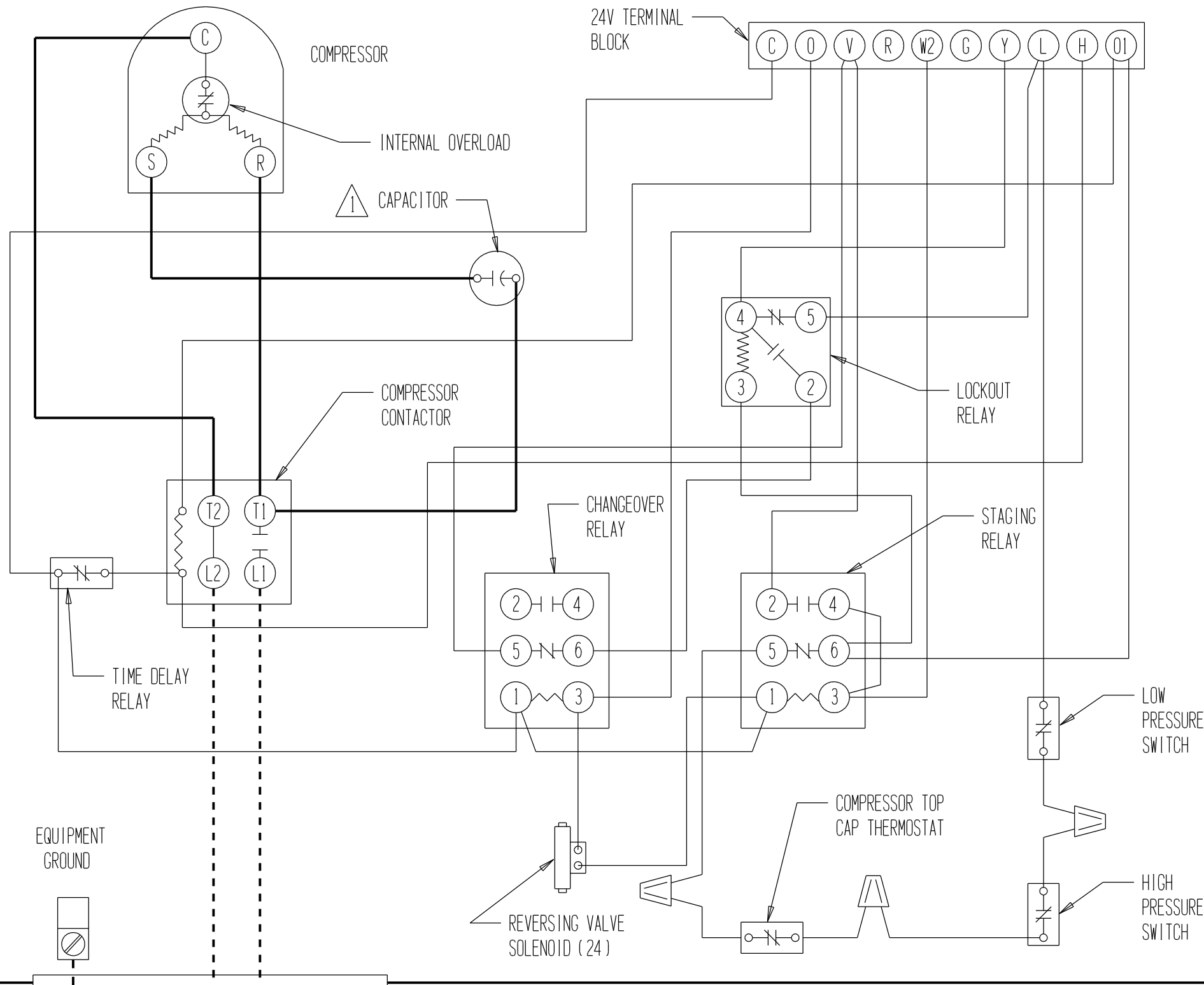
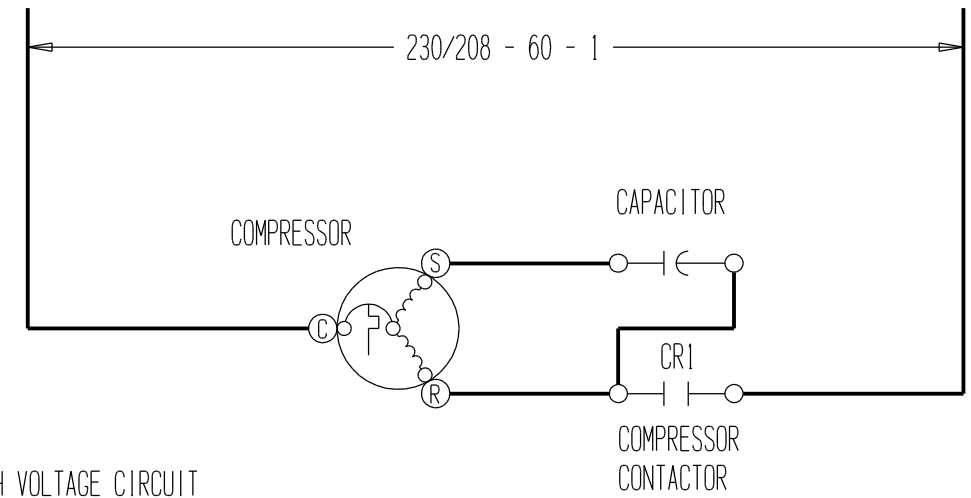


CONNECTION DIAGRAM

DANGER: ELECTRICAL SHOCK HAZARD,
DISCONNECT POWER BEFORE SERVICING

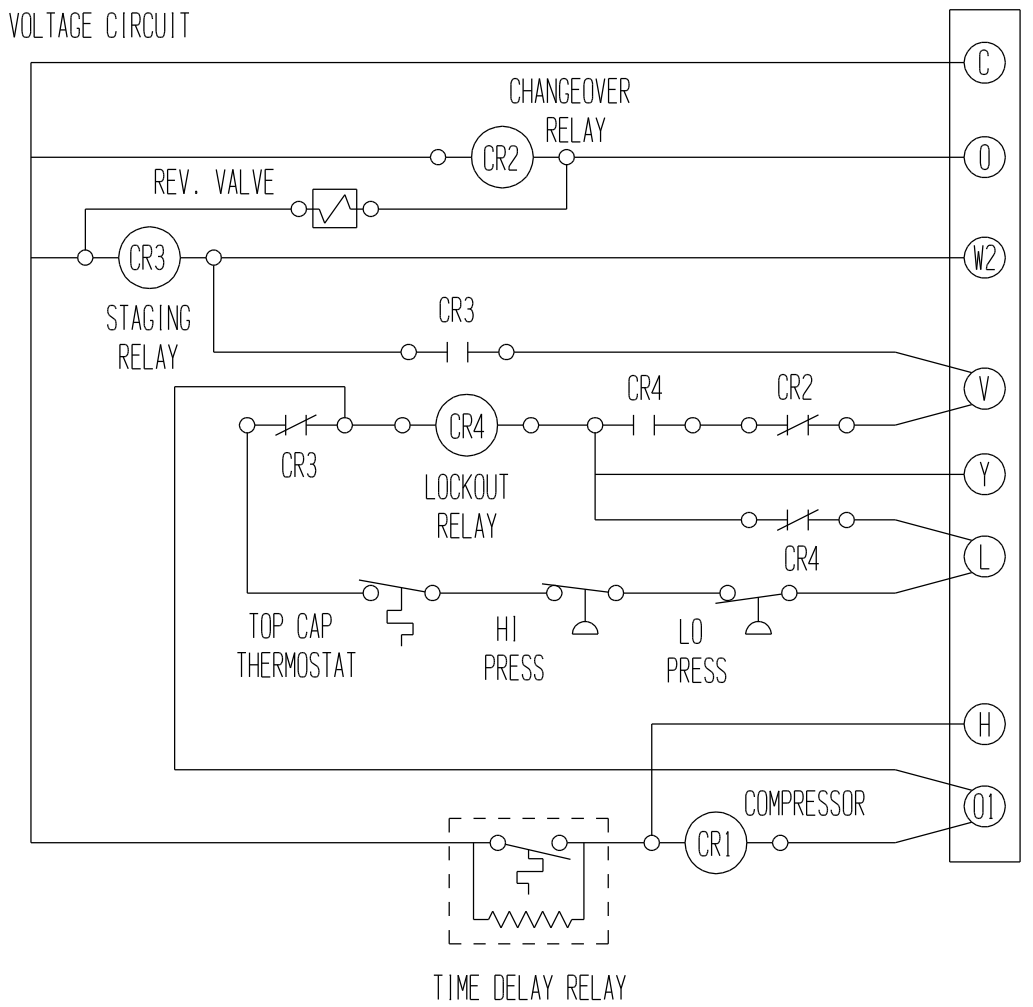


LADDER DIAGRAM

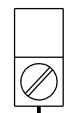


HIGH VOLTAGE CIRCUIT

LOW VOLTAGE CIRCUIT



EQUIPMENT GROUND



230/208-60-1



| CAPACITOR RATING | |
|------------------|--------|
| WQS30A | 35/370 |
| WQS36A | 35/440 |
| WQS42A | 35/440 |

| | FACTORY WIRING | FIELD WIRING |
|--------------|----------------|--------------|
| Low Voltage | — | - - - - |
| High Voltage | — | - - - - |

USE COPPER CONDUCTORS ONLY