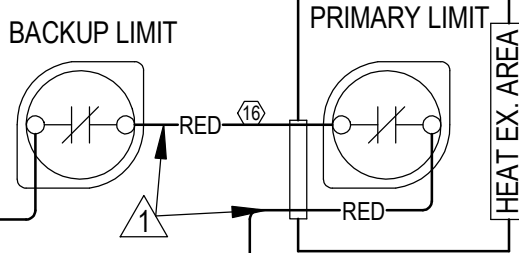


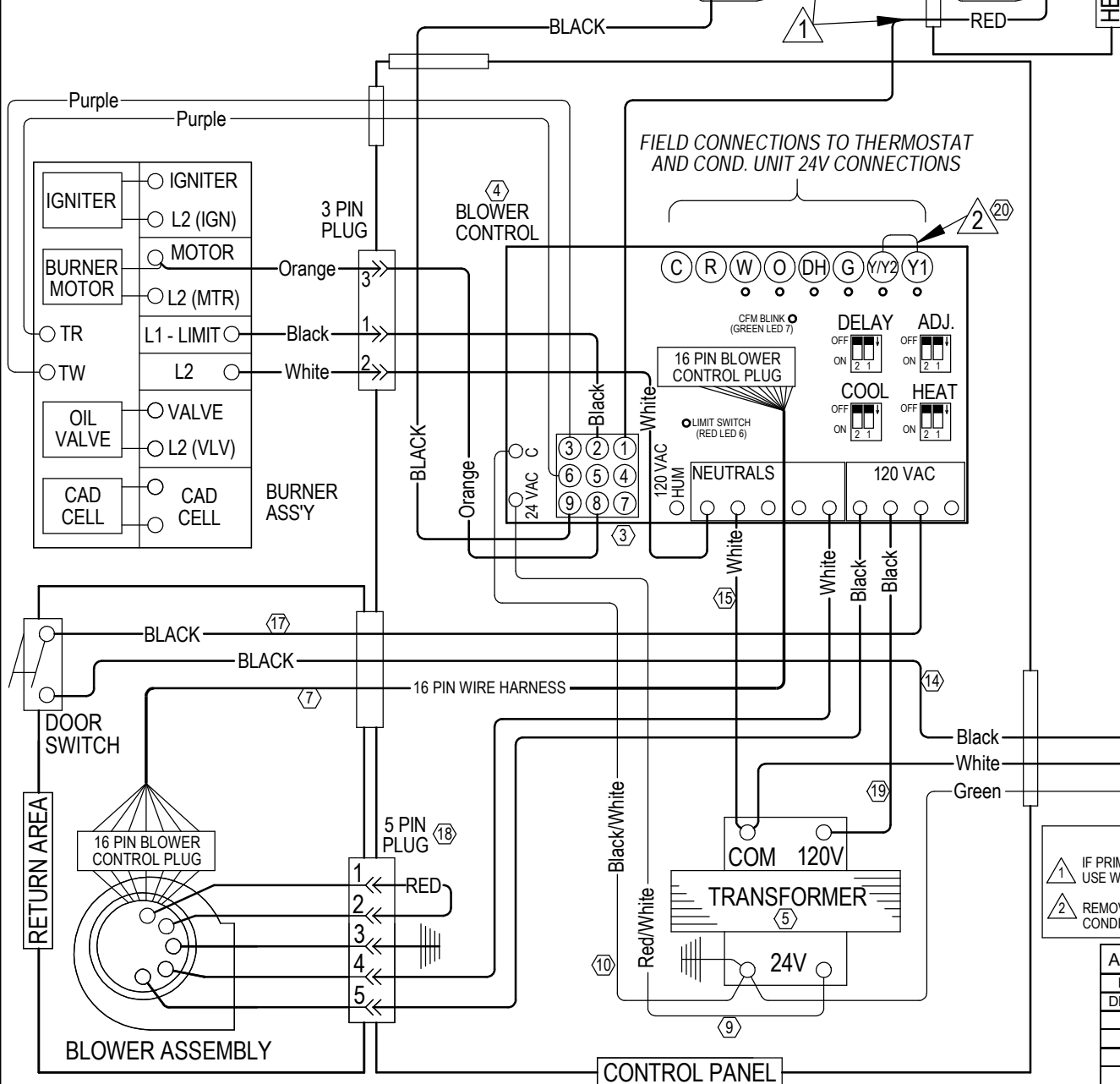
HEATING DELAY PROFILE TAPS								
MODEL	SWITCH #1	SWITCH #2	ON DELAY SECONDS	ON DELAY % CFM	PRE-RUN TIME SECONDS	PRE-RUN % CFM	OFF DELAY SECONDS	OFF DELAY % CFM
ALL	OFF	OFF	30	0	60	50	300	82
	ON	OFF	30	0	60	50	240	100
	OFF	ON	45	0	120	44	300	88
	ON	ON	60	0	0	100	180	100



HEAT SWITCH SETTINGS					
MODEL	HEAT SWITCH		ADJUSTMENT SWITCH		HEATING CFM
	DIP SW 1	DIP SW 2	DIP SW 1	DIP SW 2	
FLF075V42A	ON	OFF	OFF	OFF	950
FLR075V42A	OFF	OFF	OFF	OFF	950
FLR100V48A	ON	OFF	OFF	ON	1250
FLR100V60A	ON	OFF	OFF	ON	1250
FLR130V60A	ON	OFF	OFF	ON	1600

COOL SWITCH SETTINGS					
UNIT	NOM. A/C (TONS)	COOL SWITCH		CFM LOAD	
		DIP SW 1	DIP SW 2	FULL	PART
FLF/FLR075V42A	3.5*	OFF*	OFF*	1400	1000
	3.0	ON	OFF	1200	850
	2.5	OFF	ON	1000	725
	2.0	ON	ON	800	575
FLR100V48A	4.0*	OFF*	OFF*	1600	1150
	3.5	ON	OFF	1400	1000
	3.0	OFF	ON	1200	850
FLR100V60A FLR130V60A	2.5	ON	ON	1000	725
	5.0*	OFF*	OFF*	2000	1450
	4.0	ON	OFF	1600	1150
	3.5	OFF	ON	1400	1000
	3.0	ON	ON	1200	850

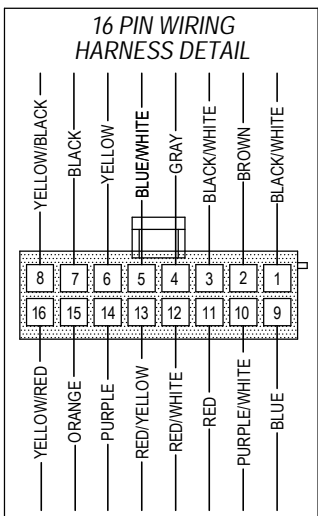
*FACTORY SETTINGS



! DANGER
*ELECTRICAL SHOCK HAZARD
*DISCONNECT POWER BEFORE SERVICING.

NOTES
1 IF PRIMARY LIMIT WIRES ARE TO BE REPLACED, USE WIRE WITH INSUL. TEMP. RATING OF 200°C.
2 REMOVE PURPLE JUMPER WIRE FOR 2 STAGE AIR CONDITIONER OR HEAT PUMP.

ADJUSTMENT SWITCH SETTINGS		
DELAY SWITCH		ADJUSTMENT DETAILS
DIP SW1	DIP SW2	
OFF*	OFF*	NO CHANGES*
ON	OFF	+10% CFM
OFF	ON	-10% CFM
ON	ON	NO CHANGES



4047-127 B