

| HEATING DELAY PROFILE TAPS | | | | | | | | |
|----------------------------|-----------|-----------|------------------|----------------|----------------------|---------------|-------------------|-----------------|
| MODEL | SWITCH #1 | SWITCH #2 | ON DELAY SECONDS | ON DELAY % CFM | PRE-RUN TIME SECONDS | PRE-RUN % CFM | OFF DELAY SECONDS | OFF DELAY % CFM |
| ALL | OFF | OFF | 30 | 0 | 60 | 50 | 300 | 82 |
| | ON | OFF | 30 | 0 | 60 | 50 | 240 | 100 |
| | OFF | ON | 45 | 0 | 120 | 44 | 300 | 88 |
| | ON | ON | 60 | 0 | 0 | 100 | 180 | 100 |

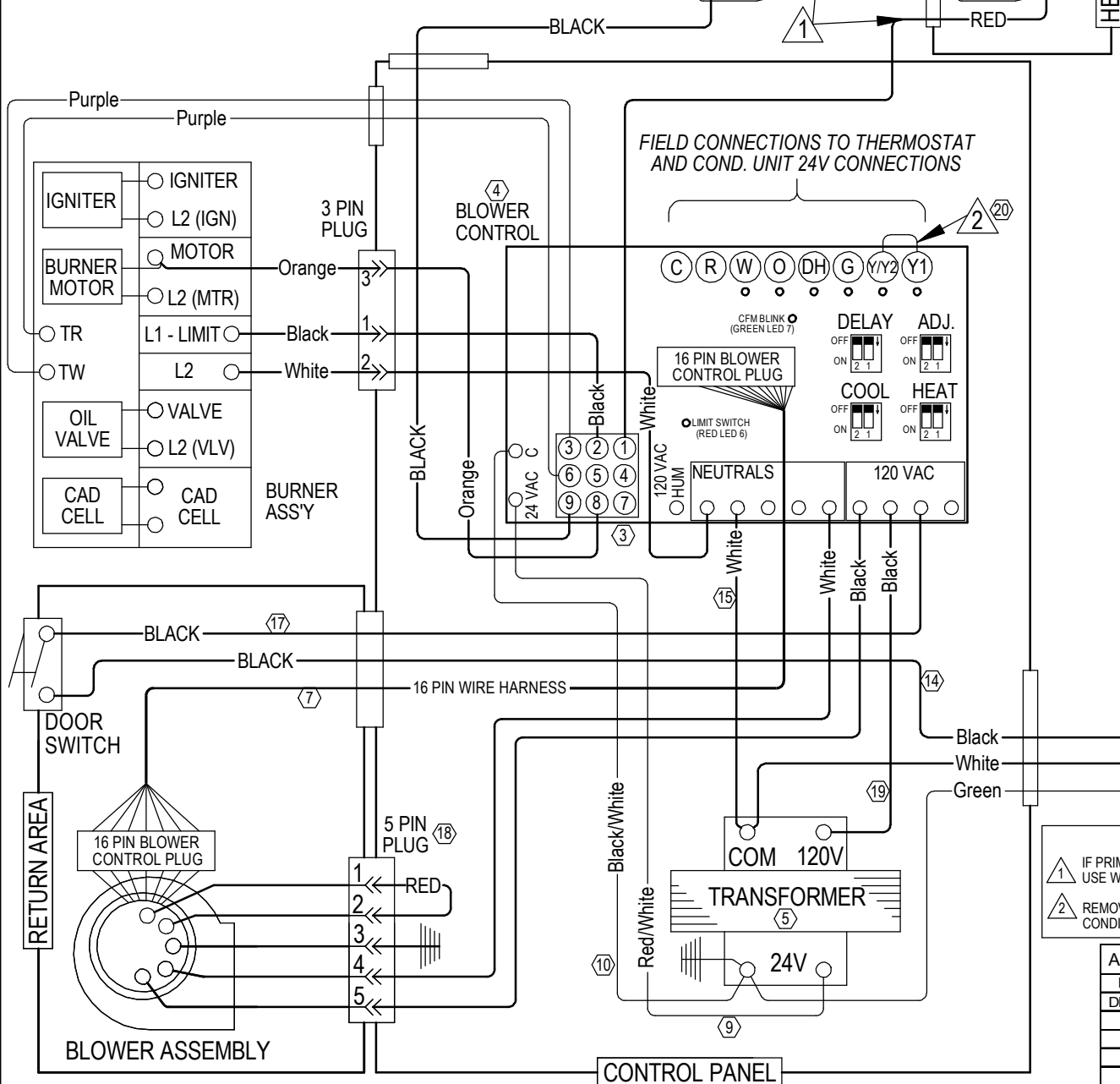
BACKUP LIMIT

PRIMARY LIMIT

| HEAT SWITCH SETTINGS | | | | | |
|------------------------------|----------|------------|-------------|---------|-------------|
| UNIT | GPH INPU | TEMP. RISE | HEAT SWITCH | | HEATING CFM |
| | | | DIP SW1 | DIP SW2 | |
| FLF/R085V42A | 0.75 | 60°-90° | OFF* | OFF* | 1075 |
| | 0.75 | 60°-90° | ON | OFF | 1035 |
| | 0.65 | 60°-90° | OFF | ON | 930 |
| FLF/R110V48A FLF/R110V60A | 0.55 | 60°-90° | ON | ON | 790 |
| | 1 | 60°-90° | OFF* | OFF* | 1280 |
| | 1 | 60°-90° | ON | OFF | 1225 |
| FLR140V60A | 0.85 | 60°-90° | OFF | ON | 1060 |
| | 0.85 | 60°-90° | ON | ON | 1060 |
| | 1.25 | 60°-90° | OFF* | OFF* | 1860 |
| FLR140V60A | 1.25 | 60°-90° | ON | OFF | 1790 |
| | 1.1 | 60°-90° | OFF | ON | 1645 |
| | 1.1 | 60°-90° | ON | ON | 1645 |

| COOL SWITCH SETTINGS | | | | | |
|----------------------------|-----------------|-------------|---------|----------|------|
| UNIT | NOM. A/C (TONS) | COOL SWITCH | | CFM LOAD | |
| | | DIP SW1 | DIP SW2 | FULL | PART |
| FLF/R085V42A | 3.5* | OFF* | OFF* | 1400 | 1000 |
| | 3 | ON | OFF | 1200 | 850 |
| | 2.5 | OFF | ON | 1000 | 725 |
| FLF/R110V48A | 2 | ON | ON | 800 | 575 |
| | 4* | OFF* | OFF* | 1600 | 1150 |
| | 3.5 | ON | OFF | 1400 | 1000 |
| FLF/R110V60A FLR140V60A | 3 | OFF | ON | 1200 | 850 |
| | 2.5 | ON | ON | 1000 | 725 |
| | 5* | OFF* | OFF* | 2000 | 1450 |
| FLR140V60A | 4 | ON | OFF | 1600 | 1150 |
| | 3.5 | OFF | ON | 1400 | 1000 |
| | 3 | ON | ON | 1200 | 850 |

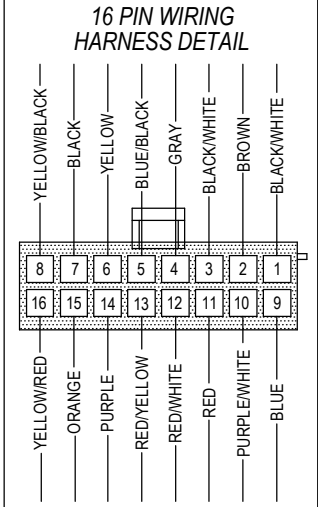
* FACTORY SETTINGS



! DANGER
*ELECTRICAL SHOCK HAZARD
*DISCONNECT POWER BEFORE SERVICING.

NOTES
1 IF PRIMARY LIMIT WIRES ARE TO BE REPLACED, USE WIRE WITH INSUL. TEMP. RATING OF 200°C.
2 REMOVE PURPLE JUMPER WIRE FOR 2 STAGE AIR CONDITIONER OR HEAT PUMP.

| ADJUSTMENT SWITCH SETTINGS | | |
|----------------------------|---------|--------------------|
| DELAY SWITCH | | ADJUSTMENT DETAILS |
| DIP SW1 | DIP SW2 | |
| OFF* | OFF* | NO CHANGES* |
| ON | OFF | +10% CFM |
| OFF | ON | -10% CFM |
| ON | ON | NO CHANGES |



4047-123 A