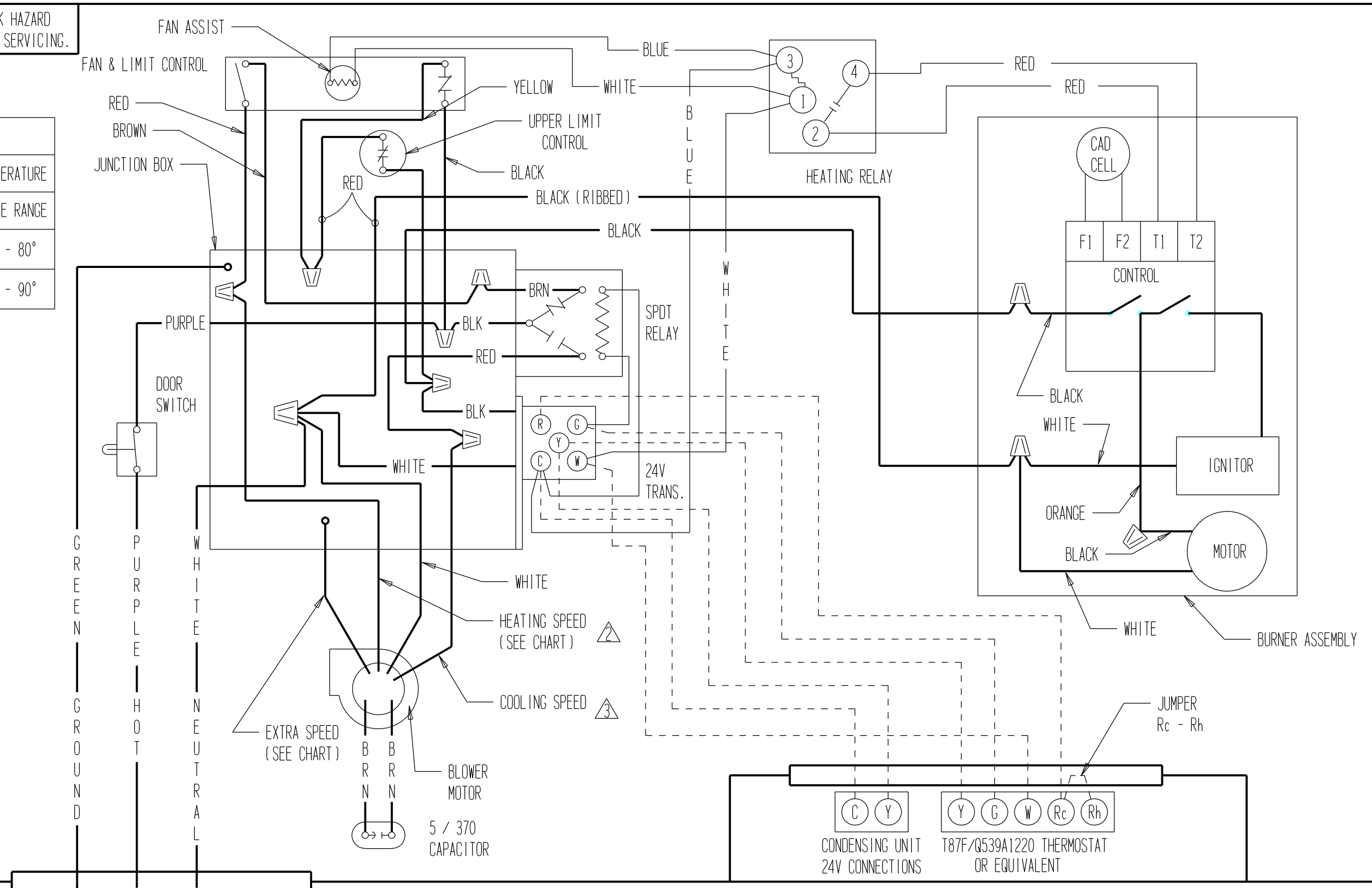


CONNECTION DIAGRAM DANGER: ELECTRICAL SHOCK HAZARD
DISCONNECT POWER BEFORE SERVICING.

TECHNICAL INFORMATION			
MODEL	INPUT RATE	HEATING BLOWER	TEMPERATURE
	GPH	SPEED (COLOR)	RISE RANGE
FC085D36A	.65	LOW (RED)	50° - 80°
FC085D36A	.75	MED (BLUE)	60° - 90°



115-60-1

⚠️ WIRED FOR INTERRUPTED IGNITION. CAN BE REWIRED FOR CONTINUOUS DUTY IGNITION BY CHANGING THIS WIRE TO " MOTOR " TERMINAL

⚠️ FACTORY WIRED USING BLUE WIRE

⚠️ FACTORY WIRED USING BLACK WIRE

	FACTORY WIRING	FIELD WIRING
Low Voltage	—	- - -
High Voltage	—	- - -

IF ANY OF THE ORIGINAL WIRE AS SUPPLIED WITH THE APPLIANCE MUST BE REPLACED, IT MUST BE REPLACED WITH WIRING MATERIAL HAVING A TEMPERATURE RATING OF AT LEAST 105 DEG C.