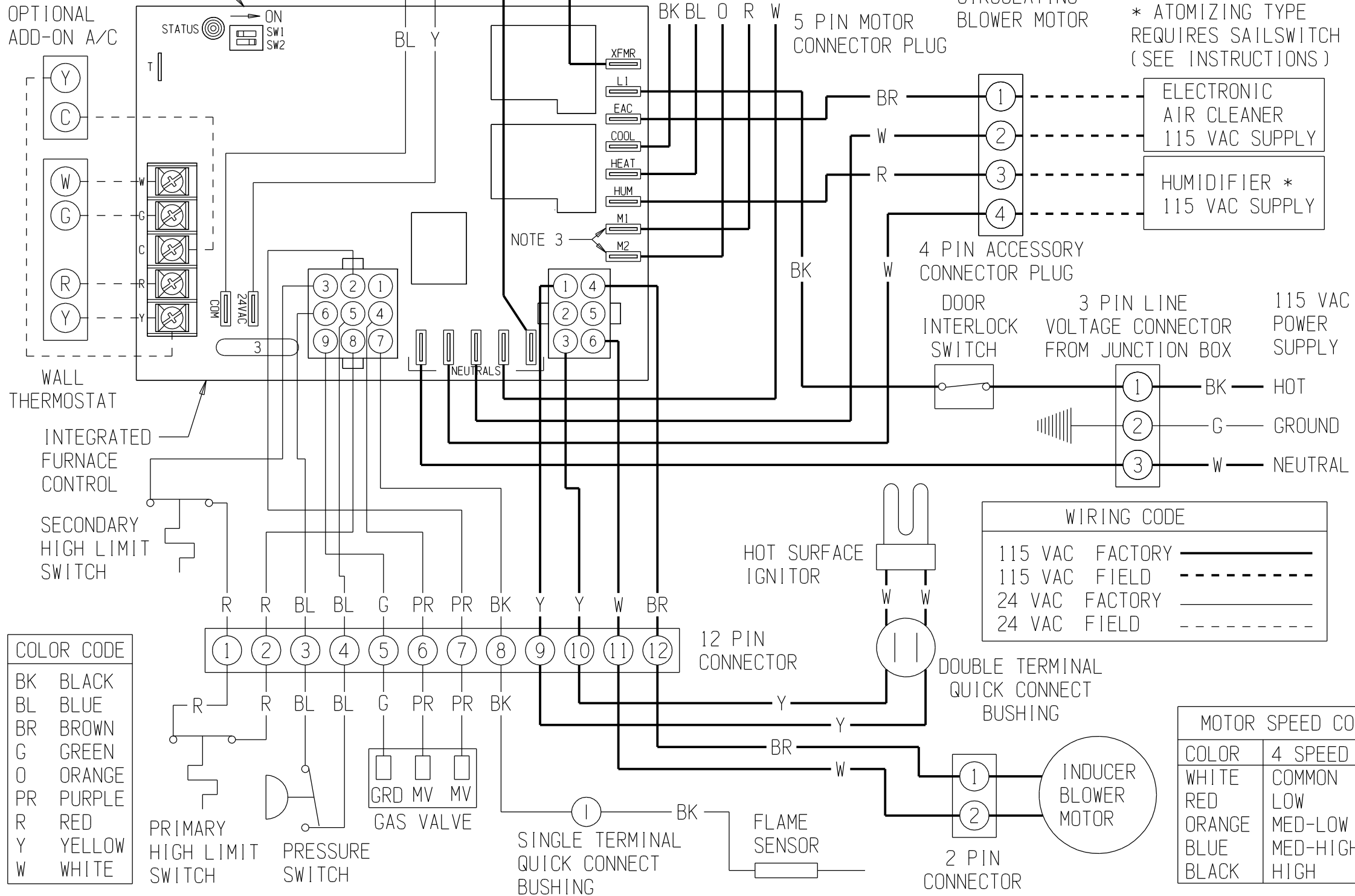


HEATING BLOWER OFF TIME		
TIME	SW1	SW2
60	ON	ON
90	ON	OFF
120	OFF	ON
150	OFF	OFF

⚠ MODEL DCL065 WIRED WITH BLUE (MEDIUM) SPEED FOR HEATING

DANGER
 * ELECTRIC SHOCK HAZARD
 * DISCONNECT POWER BEFORE SERVICING

CAPACITOR CHART	
DCL065	5/370
DCL080	7.5/370
DCL095	15/370
DCL110	15/370



OPTIONAL ADD-ON A/C

WALL THERMOSTAT

INTEGRATED FURNACE CONTROL

SECONDARY HIGH LIMIT SWITCH

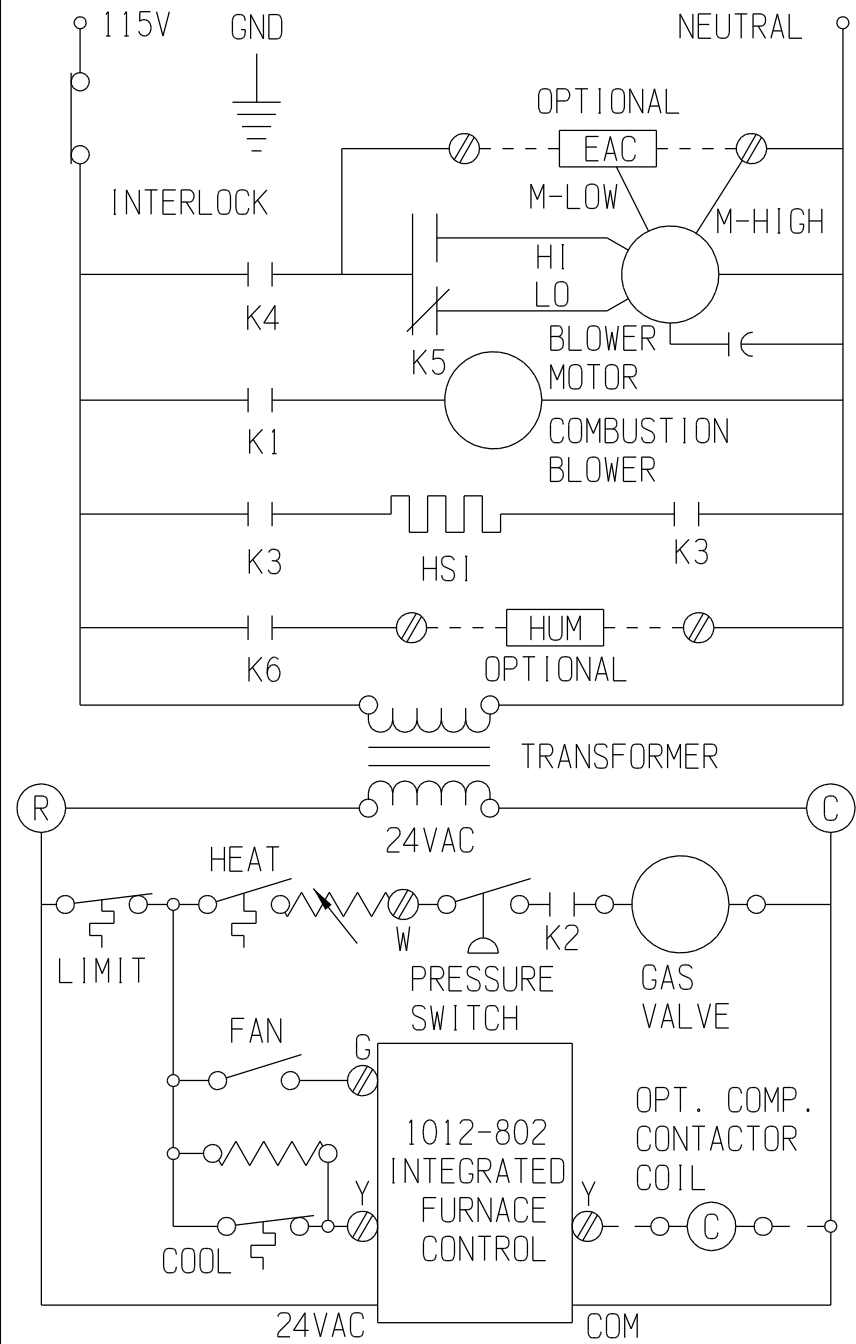
COLOR CODE

BK	BLACK
BL	BLUE
BR	BROWN
G	GREEN
O	ORANGE
PR	PURPLE
R	RED
Y	YELLOW
W	WHITE

WIRING CODE	
115 VAC	FACTORY ———
115 VAC	FIELD - - - - -
24 VAC	FACTORY ———
24 VAC	FIELD - - - - -

MOTOR SPEED COLOR CODE		
COLOR	4 SPEED	3 SPEED
WHITE	COMMON	COMMON
RED	LOW	LOW
ORANGE	MED-LOW	—
BLUE	MED-HIGH	MED HIGH
BLACK	HIGH	HIGH

LADDER DIAGRAM



- NOTES:
1. USE COPPER CONDUCTORS ONLY.
 2. IF ANY OF THE ORIGINAL WIRE AS SUPPLIED WITH THE APPLIANCE MUST BE REPLACED, IT MUST BE REPLACED WITH WIRING MATERIAL HAVING A TEMPERATURE RATING OF AT LEAST 105°C.
 3. M1 AND M2 ARE PARK TERMINALS FOR UNUSED MOTOR SPEED LEADS.