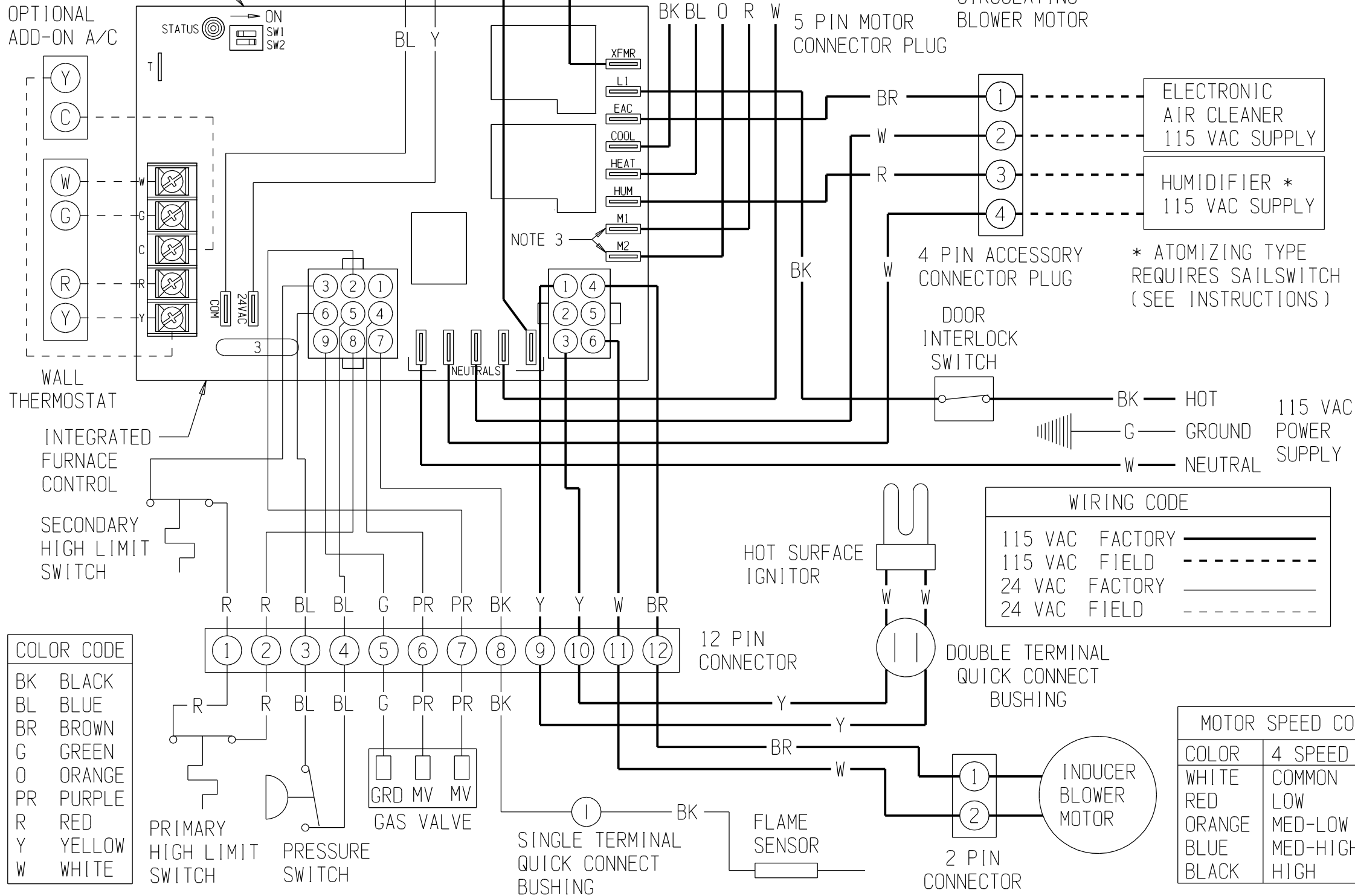


| HEATING BLOWER OFF TIME |     |     |
|-------------------------|-----|-----|
| TIME                    | SW1 | SW2 |
| 60                      | ON  | ON  |
| 90                      | ON  | OFF |
| 120                     | OFF | ON  |
| 150                     | OFF | OFF |

⚠ MODELS DCC050 AND DCC065 WIRED WITH BLUE (MEDIUM) SPEED FOR HEATING

**⚠ DANGER**  
 \* ELECTRIC SHOCK HAZARD  
 \* DISCONNECT POWER BEFORE SERVICING

| CAPACITOR CHART |         |
|-----------------|---------|
| DCC050          | 5/370   |
| DCC065          | 5/370   |
| DCC080          | 7.5/370 |
| DCC095          | 7.5/370 |

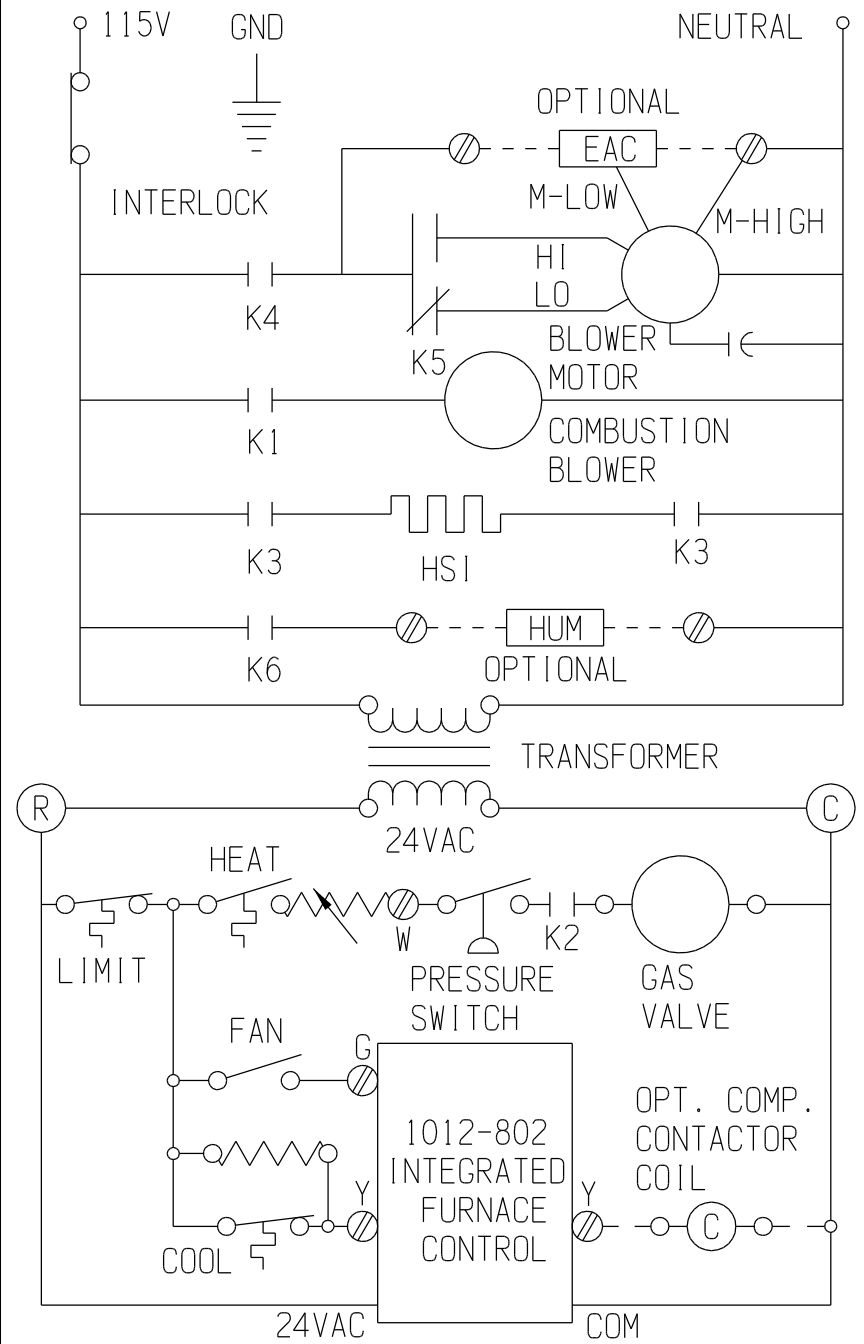


| COLOR CODE |        |
|------------|--------|
| BK         | BLACK  |
| BL         | BLUE   |
| BR         | BROWN  |
| G          | GREEN  |
| O          | ORANGE |
| PR         | PURPLE |
| R          | RED    |
| Y          | YELLOW |
| W          | WHITE  |

| WIRING CODE |                 |
|-------------|-----------------|
| 115 VAC     | FACTORY ———     |
| 115 VAC     | FIELD - - - - - |
| 24 VAC      | FACTORY ———     |
| 24 VAC      | FIELD - - - - - |

| MOTOR SPEED COLOR CODE |          |         |
|------------------------|----------|---------|
| COLOR                  | 4 SPEED  | 3 SPEED |
| WHITE                  | COMMON   | COMMON  |
| RED                    | LOW      | LOW     |
| ORANGE                 | MED-LOW  | —       |
| BLUE                   | MED-HIGH | MED     |
| BLACK                  | HIGH     | HIGH    |

## LADDER DIAGRAM



- NOTES:
1. USE COPPER CONDUCTORS ONLY.
  2. IF ANY OF THE ORIGINAL WIRE AS SUPPLIED WITH THE APPLIANCE MUST BE REPLACED, IT MUST BE REPLACED WITH WIRING MATERIAL HAVING A TEMPERATURE RATING OF AT LEAST 105°C.
  3. M1 AND M2 ARE PARK TERMINALS FOR UNUSED MOTOR SPEED LEADS.