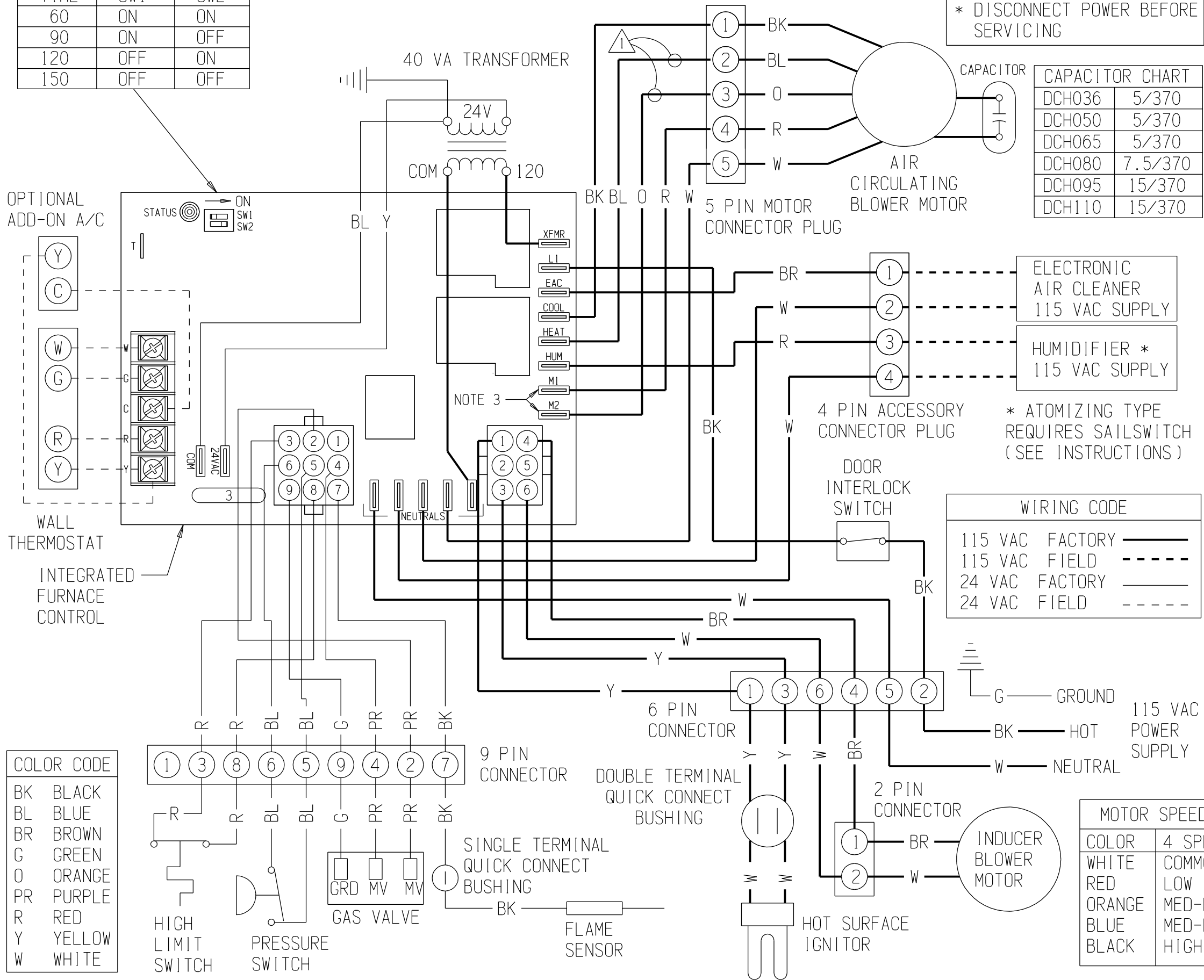


HEATING BLOWER OFF TIME		
TIME	SW1	SW2
60	ON	ON
90	ON	OFF
120	OFF	ON
150	OFF	OFF

⚠ MODELS DCH036, DCH050, AND DCH065 WIRED WITH BLUE (MEDIUM) SPEED FOR HEATING

⚠ DANGER
 * ELECTRIC SHOCK HAZARD
 * DISCONNECT POWER BEFORE SERVICING



CAPACITOR CHART	
DCH036	5/370
DCH050	5/370
DCH065	5/370
DCH080	7.5/370
DCH095	15/370
DCH110	15/370

ELECTRONIC AIR CLEANER
 115 VAC SUPPLY

HUMIDIFIER *
 115 VAC SUPPLY

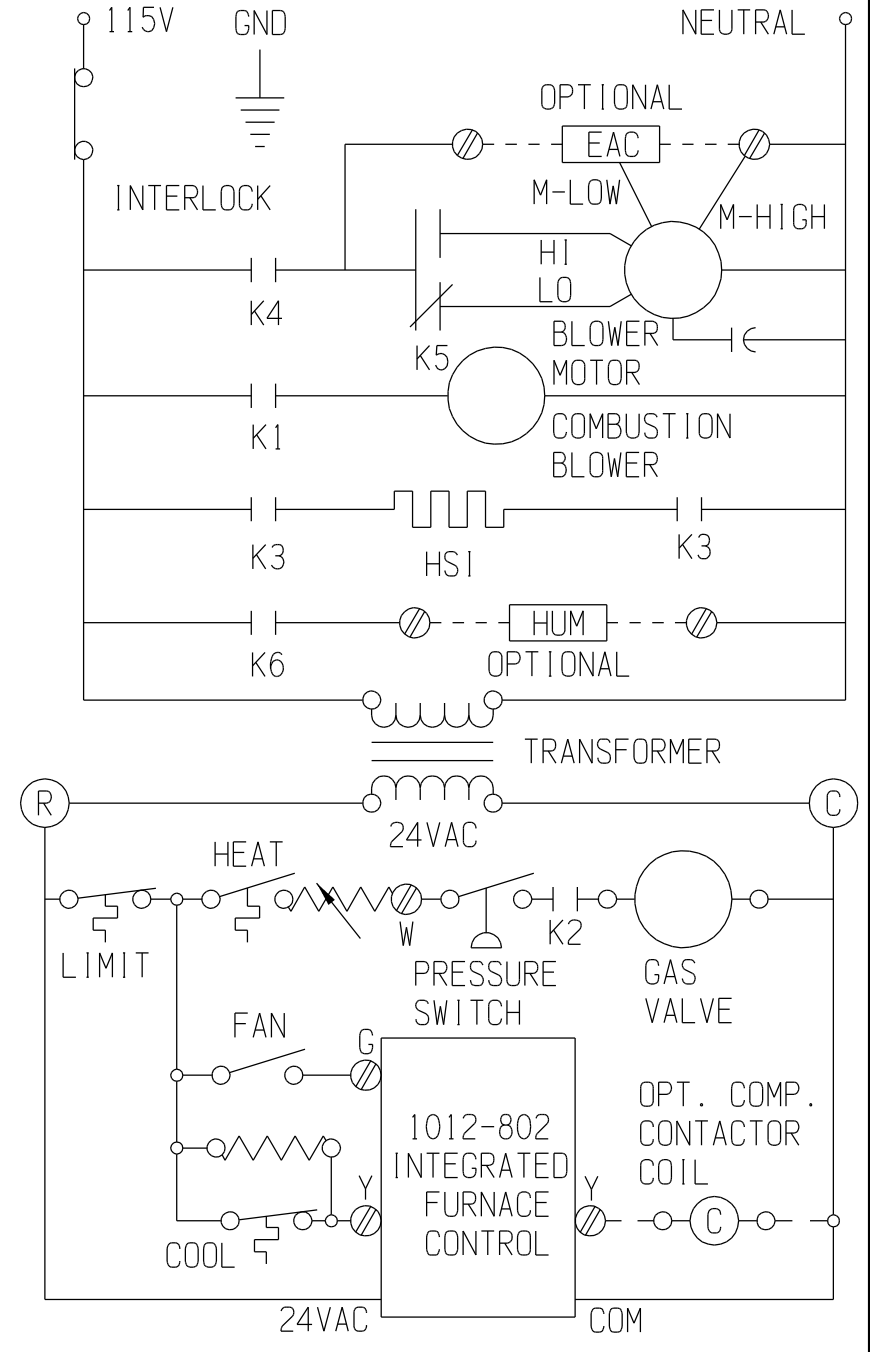
* ATOMIZING TYPE REQUIRES SAILSWITCH (SEE INSTRUCTIONS)

WIRING CODE	
115 VAC	FACTORY ———
115 VAC	FIELD - - - - -
24 VAC	FACTORY ———
24 VAC	FIELD - - - - -

COLOR CODE	
BK	BLACK
BL	BLUE
BR	BROWN
G	GREEN
O	ORANGE
PR	PURPLE
R	RED
Y	YELLOW
W	WHITE

MOTOR SPEED COLOR CODE		
COLOR	4 SPEED	3 SPEED
WHITE	COMMON	COMMON
RED	LOW	LOW
ORANGE	MED-LOW	—
BLUE	MED-HIGH	MED HIGH
BLACK	HIGH	HIGH

LADDER DIAGRAM



- NOTES:
1. USE COPPER CONDUCTORS ONLY.
 2. IF ANY OF THE ORIGINAL WIRE AS SUPPLIED WITH THE APPLIANCE MUST BE REPLACED, IT MUST BE REPLACED WITH WIRING MATERIAL HAVING A TEMPERATURE RATING OF AT LEAST 105°C.
 3. M1 AND M2 ARE PARK TERMINALS FOR UNUSED MOTOR SPEED LEADS.