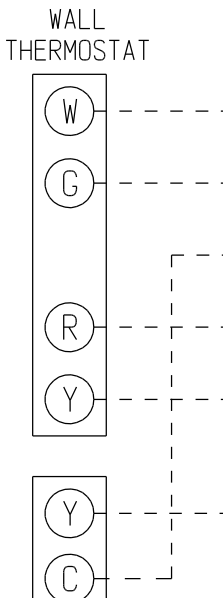
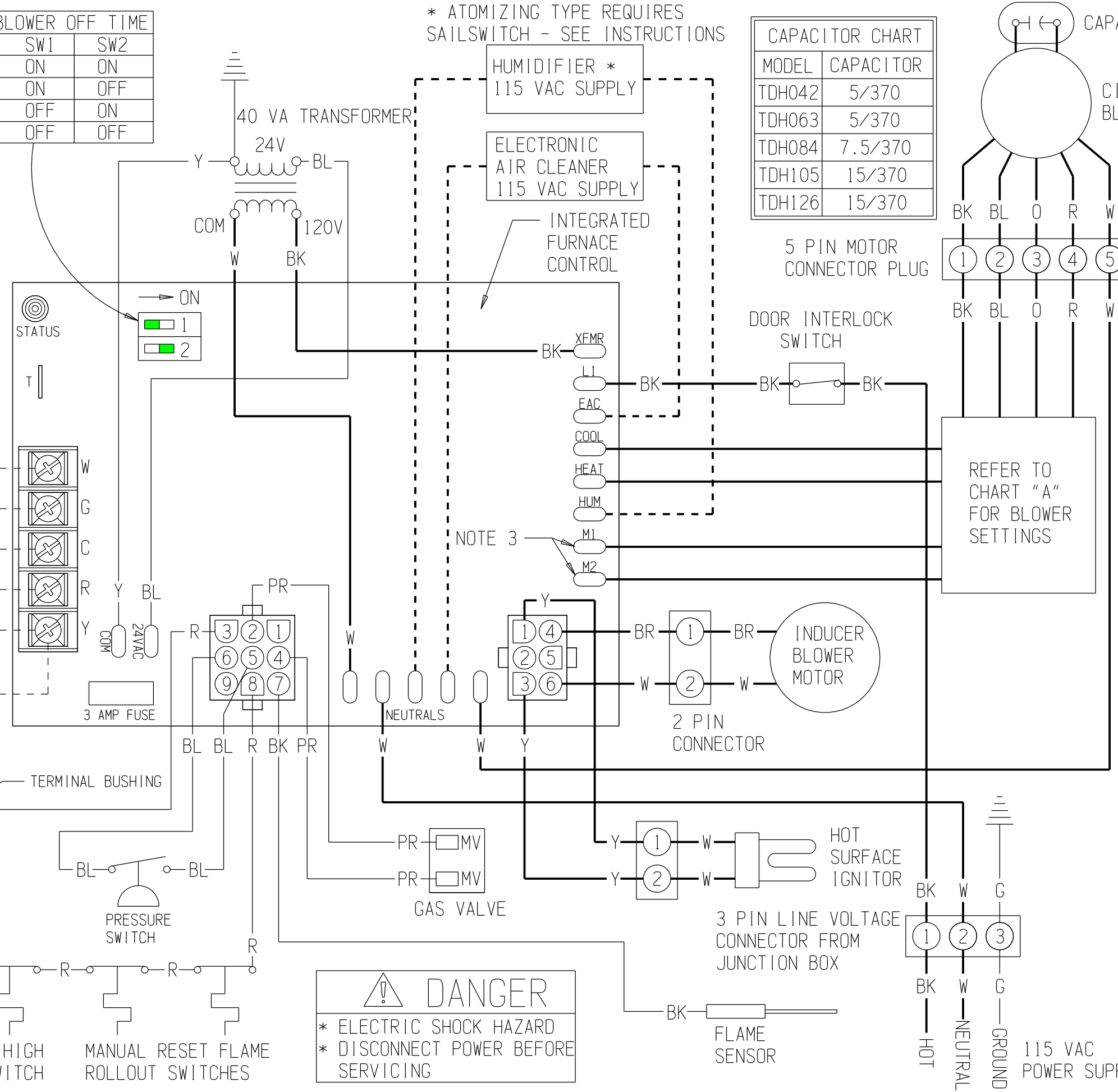


HEATING BLOWER OFF TIME		
TIME	SW1	SW2
60	ON	ON
90	ON	OFF
120	OFF	ON
150	OFF	OFF

COLOR CODE	
BK	BLACK
BL	BLUE
BR	BROWN
G	GREEN
O	ORANGE
PR	PURPLE
R	RED
Y	YELLOW
W	WHITE

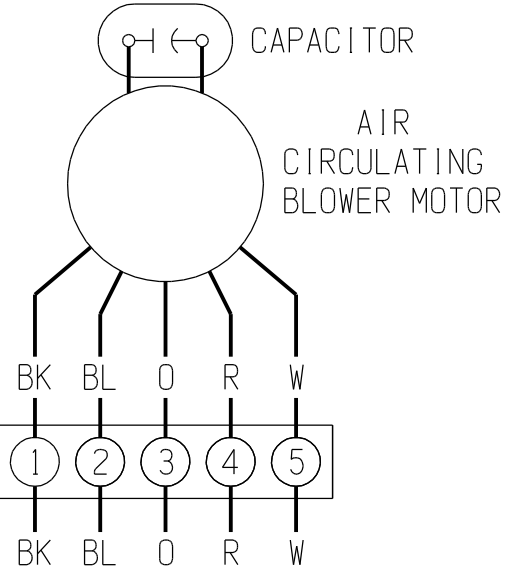


OPTIONAL ADD-ON A/C



* ATOMIZING TYPE REQUIRES SAILSWITCH - SEE INSTRUCTIONS

CAPACITOR CHART	
MODEL	CAPACITOR
TDH042	5/370
TDH063	5/370
TDH084	7.5/370
TDH105	15/370
TDH126	15/370



- NOTES:
1. USE COPPER CONDUCTORS ONLY.
 2. IF ANY OF THE ORIGINAL WIRE AS SUPPLIED WITH THE APPLIANCE MUST BE REPLACED, IT MUST BE REPLACED WITH WIRING MATERIAL HAVING A TEMPERATURE RATING OF AT LEAST 105°C.
 3. M1 AND M2 ARE PARK TERMINALS FOR UNUSED MOTOR SPEED LEADS.
 4. IF COMMON HEAT & COOL SPEED OPERATION IS REQUIRED BECAUSE OF A/C SIZE, CONNECT DESIRED SPEED TO BOTH COOL & HEAT TERMINALS USING A JUMPER WIRE. ON 4 SPEED MOTORS THE 3RD UNUSED SPEED LEAD WILL REQUIRE THE END SECURELY TAPE OFF WITH ELECTRICAL TAPE.

CHART "A"				
FACTORY SETTINGS		COOLING BLOWER SPEEDS		
MODEL	HEATING BLOWER SPEED/COLOR	COOLING BLOWER SPEED/COLOR	NOMINAL AC/TONS	SPEED/COLOR
TDH042	LOW/RED	HIGH/BLACK	1-1/2	LOW/RED
			2	MED/BLUE
			2-1/2	HIGH/BLACK
TDH063	MED/BLUE	HIGH/BLACK	2	LOW/RED
			2-1/2	MED/BLUE
			3	HIGH/BLACK
TDH084	LOW/RED	HIGH/BLACK	2-1/2	LOW/RED
			3	MED LOW/ORANGE
			3-1/2	MED HIGH/BLUE
			4	HIGH/BLACK
TDH105	MED LOW/ORANGE	HIGH/BLACK	3	LOW/RED
			3-1/2	MED LOW/ORANGE
			4	MED HIGH/BLUE
			5	HIGH/BLACK
			5	HIGH/BLACK
TDH126	MED LOW/ORANGE	HIGH/BLACK	3	LOW/RED
			3-1/2	MED LOW/ORANGE
			4	MED HIGH/BLUE
			5	HIGH/BLACK
			5	HIGH/BLACK

WIRING CODE	
115 VAC	FACTORY —————
115 VAC	FIELD - - - - -
24 VAC	FACTORY —————
24 VAC	FIELD - - - - -

⚠ DANGER
 * ELECTRIC SHOCK HAZARD
 * DISCONNECT POWER BEFORE SERVICING