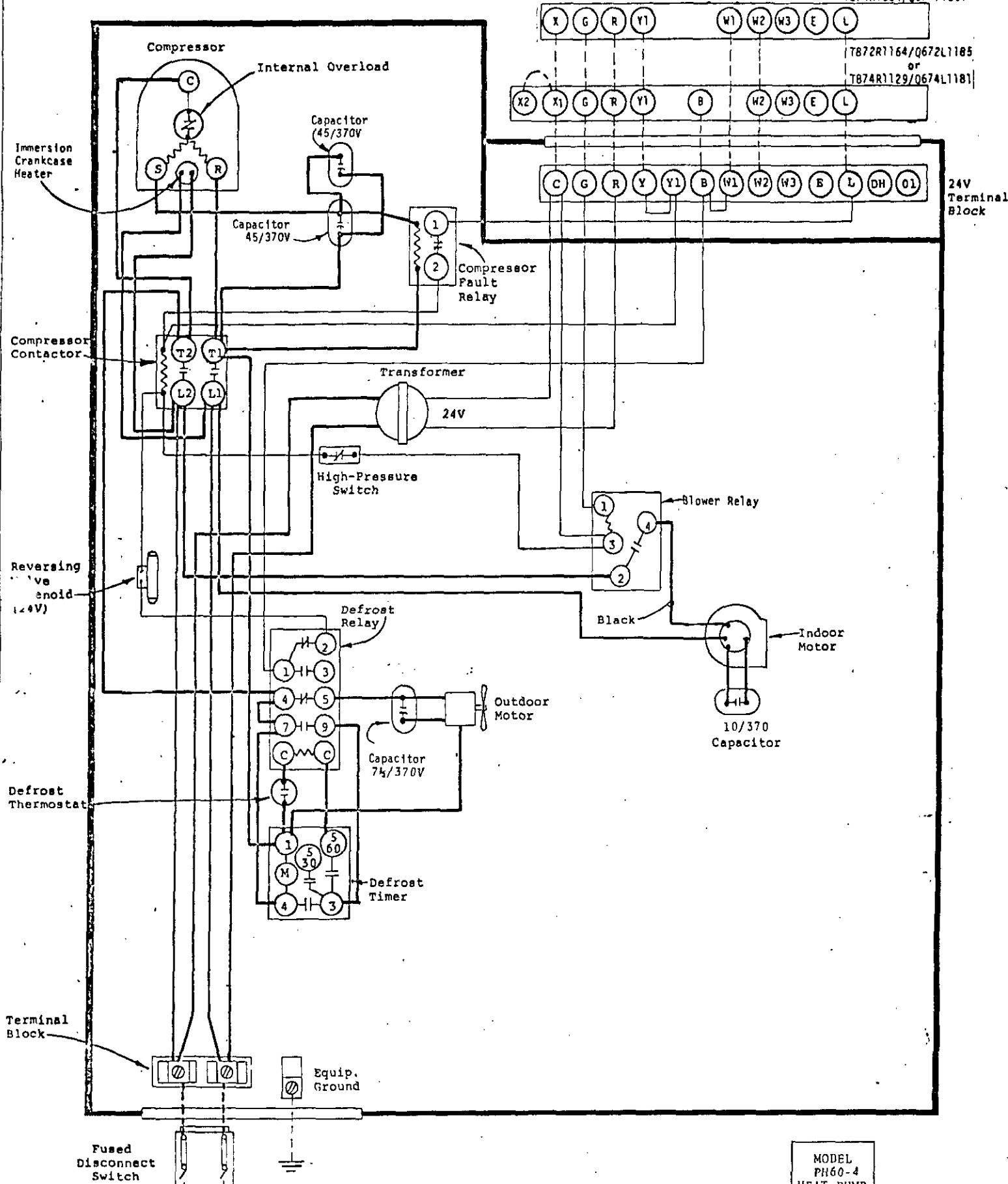


TB72N1036/Q672F1299
or
TB74N1024/Q674F1261

TB72R1164/Q672L1185
or
TB74R1129/Q674L1181



24V
Terminal
Block

Terminal
Block

Fused
Disconnect
Switch

USE COPPER OR
ALUMINUM WIRE

	FACTORY WIRING	FIELD WIRING
Low Voltage	—————	- - - - -
High Voltage	—————	—————

MODEL
PH60-4
HEAT PUMP
0 KW