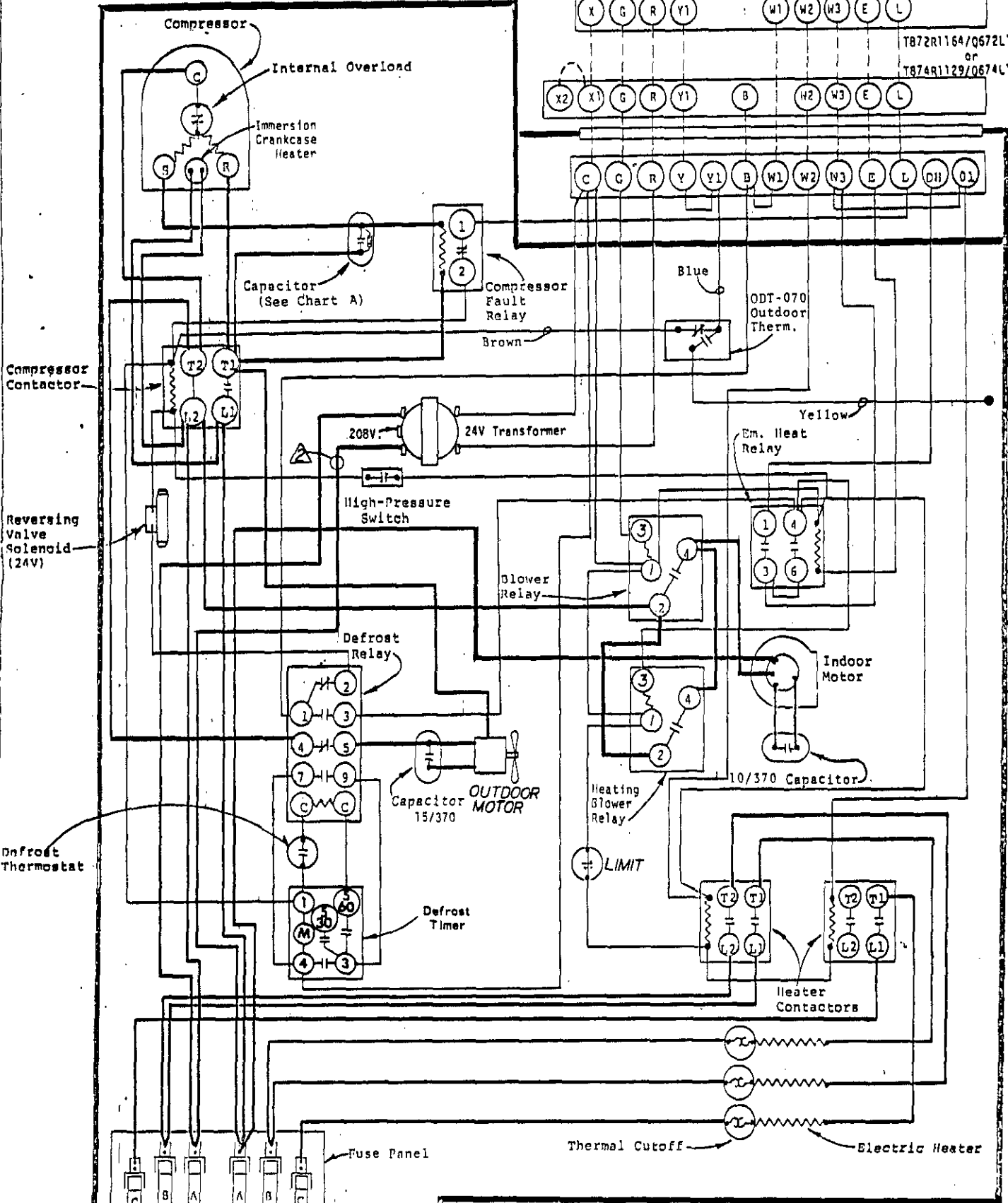


⚠ If there is an X1 and X2 terminal on Q674L1181 jumper them together and connect from C to either one.

T872N1036/Q672F1299
or
T874N1024/Q674F1261

T872R1164/Q672L1185
or
T874R1129/Q674L1181

24V
Terminal
Block



USE COPPER OR ALUMINUM WIRE

230/208-60-1

Fuse A - 60A Time Delay
Fuse B - 60A Standard
Fuse C - 30A Standard
All fuses Class K5.

FACTORY WIRING		FIELD WIRING	
Low Voltage	---	---	---
High Voltage	---	---	---

CHART A

48WH2	70/370
48WH5	40/440

MODEL:
48WH2, 48WH5
HEAT PUMP
15 Kw

⚠ For 208V operation move this wire to 208V transformer tap.

4014-801A