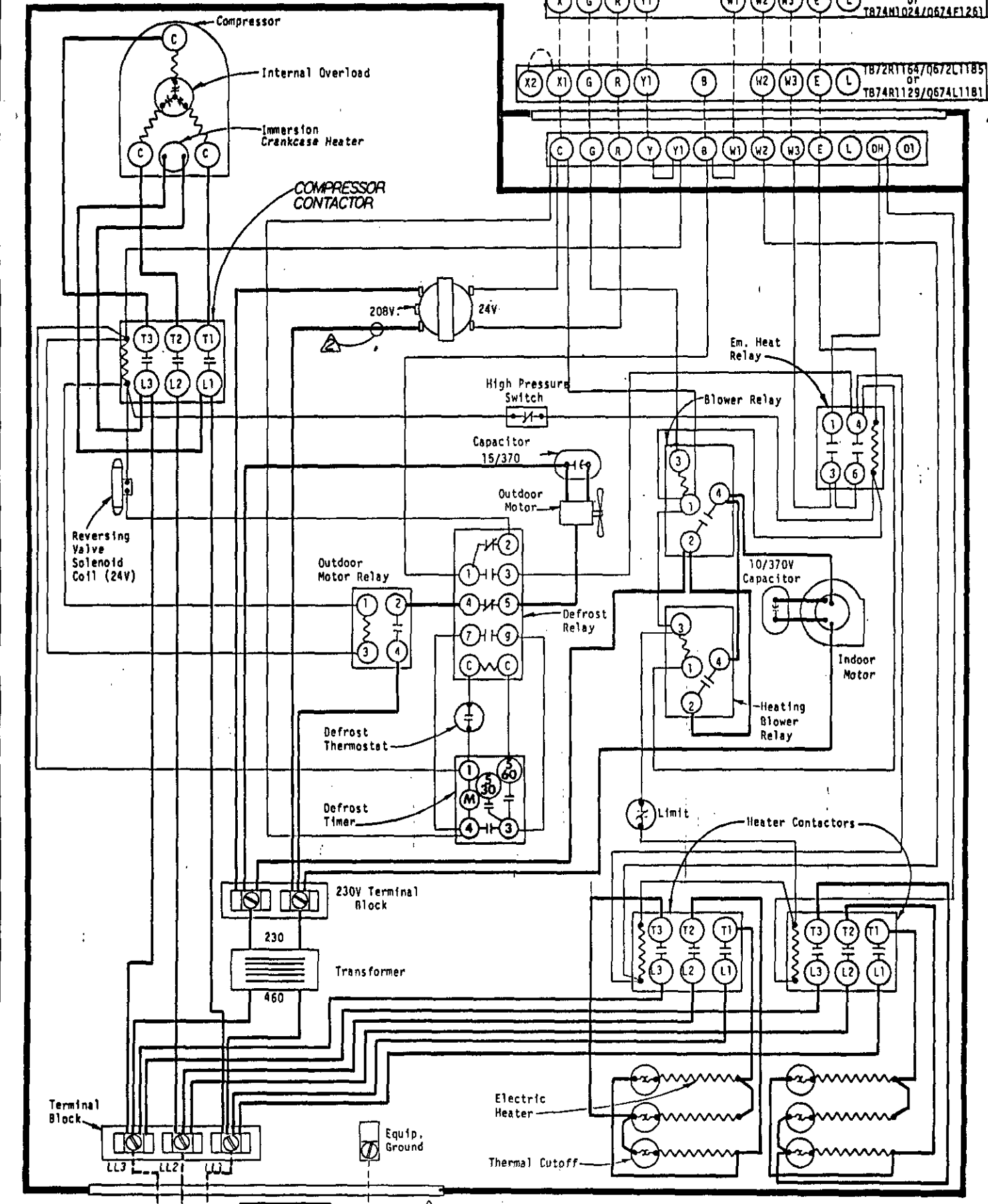


X G R Y1 W1 W2 W3 E L TB72N1036/Q672F1299
of
TB74N1024/Q674E1261

X2 X1 G R Y1 B W2 W3 E L TB72R1164/Q672L1185
of
TB74R1129/Q674L1181



⚠ If there is an X1 and X2 terminal on Q574L1181, jumper them together and connect from C to either one.
⚠ For 208V operation move this wire to 208V transformer tap.

MODEL
48WH2, 48WH5
HEAT PUMP
18 Kw

FACTORY WIRING	FIELD WIRING
Low Voltage ———	-----
High Voltage - - - - -	-----

USE COPPER OR ALUMINUM WIRE

Fused Disconnect Switch

460-60-3

4014-330M