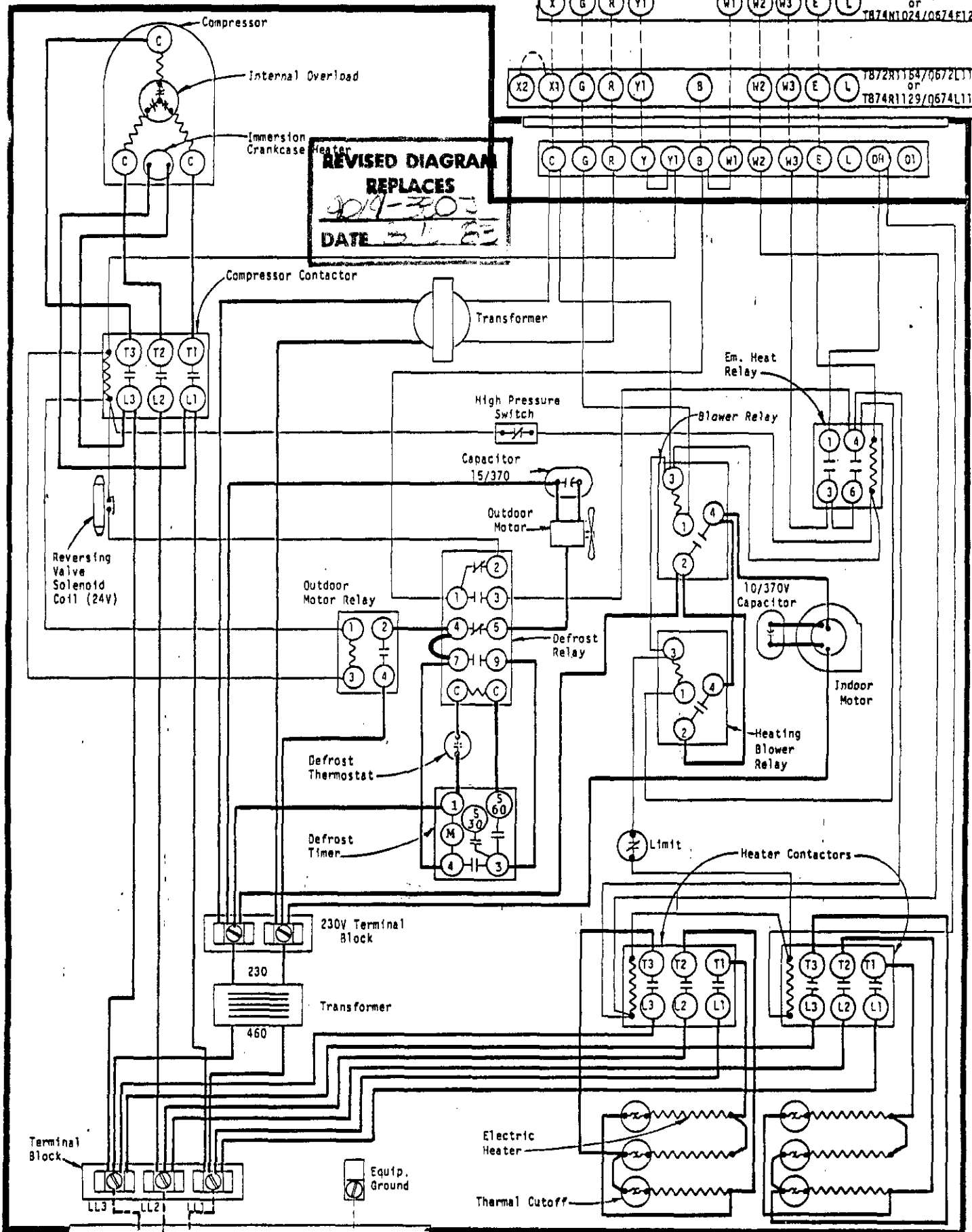


X G R Y1 W1 W2 W3 E L 1872R1053/0674L1181 or T874R1024/0674F1261

X2 X1 G R Y1 B W2 W3 E L 1872R1154/0672L1185 or T874R1129/0674L1181

C G R Y Y1 B W1 W2 W3 E L OH O1

**REVISED DIAGRAM**  
**REPLACES**  
*309-303*  
**DATE** *5/1/83*



USE COPPER OR ALUMINUM WIRE

⚠ If there is an X1 and X2 terminal on Q674L1181, jumper them together and connect from C to either one.

**MODEL**  
48WH2, 48WH4  
HEAT PUMP  
18 Kw

FACTORY WIRING	FIELD WIRING
Low Voltage ———	-----
High Voltage ———	-----