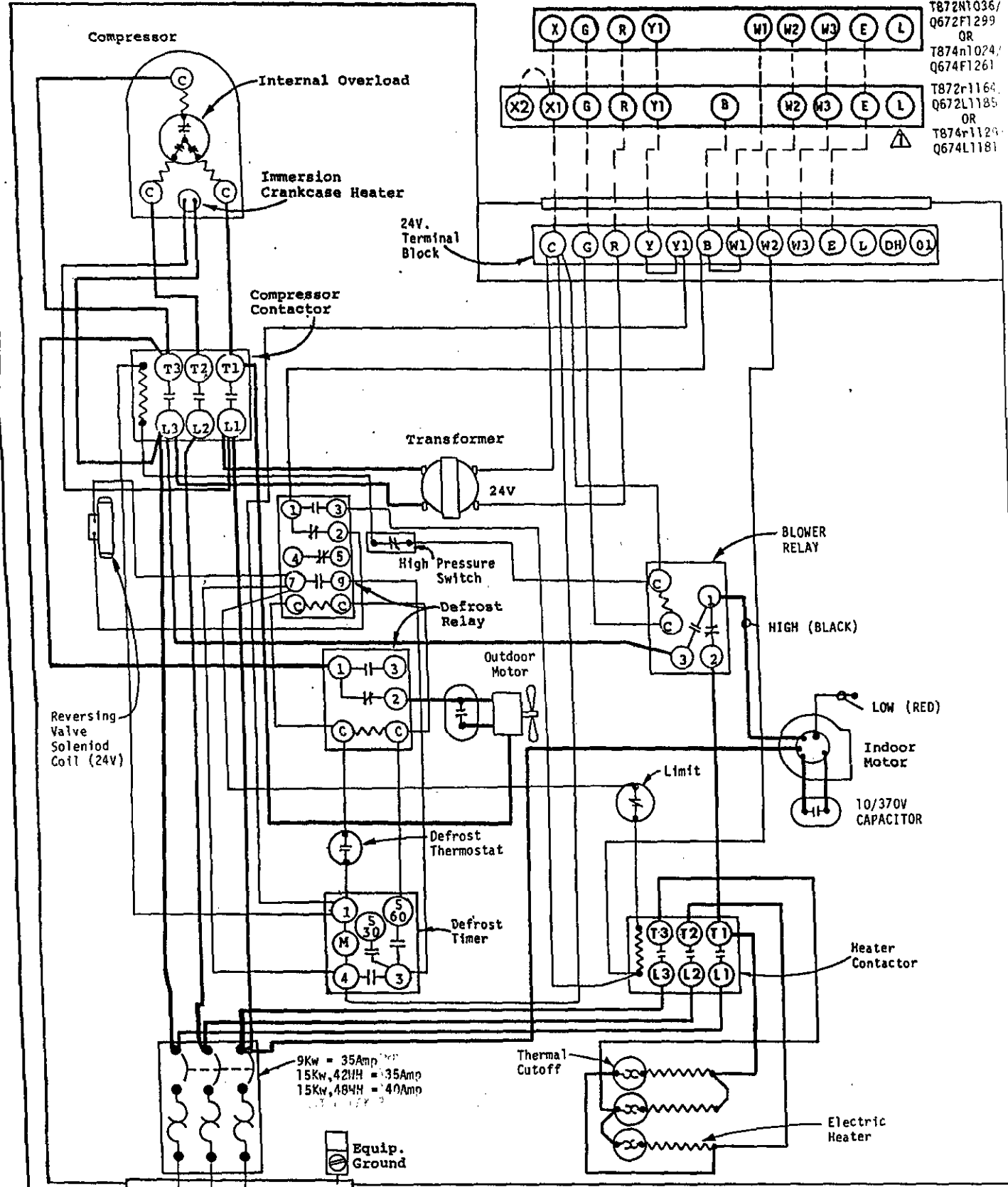


T872N1036/  
 Q672F1299  
 OR  
 T874n1024/  
 Q674F1261  
 T872r1164/  
 Q672L1185  
 OR  
 T874r1129/  
 Q674L1181



Reversing Valve Solenoid Coil (24V)

USE COPPER OR ALUMINUM WIRE

FACTORY WIRING	FIELD WIRING
Low Voltage	-----
High Voltage	-----

⚠ If there is an X1 and X2 terminal on Q674L1181, jumper them together and connect from C to either one.