

T872N1036/Q672F1299 or T874N1024/Q674F1261

T872R1164/Q672L1185
or
T874R1129/Q674L1181

24V Terminal Block

Transformer

208V

24V

High Pressure Switch

Blower Relay

Defrost Relay

Outdoor Motor

Capacitor 15/370

Heating Blower Relay

Indoor Motor

10/370 Capacitor

Limit

Heater Contactor

ELECTRIC HEATER

Equip. Ground

THERMAL CUT-OFF

(See Chart A) Fuse Panel

CHART A

	42WH-3	48WH5-3
Fuse A	40A T.D.	45A T.D.
Fuse B	60A Standard	

ALL FUSES CLASS K5

FACTORY WIRING FIELD WIRING
 Low Voltage ———
 High Voltage - - - - -

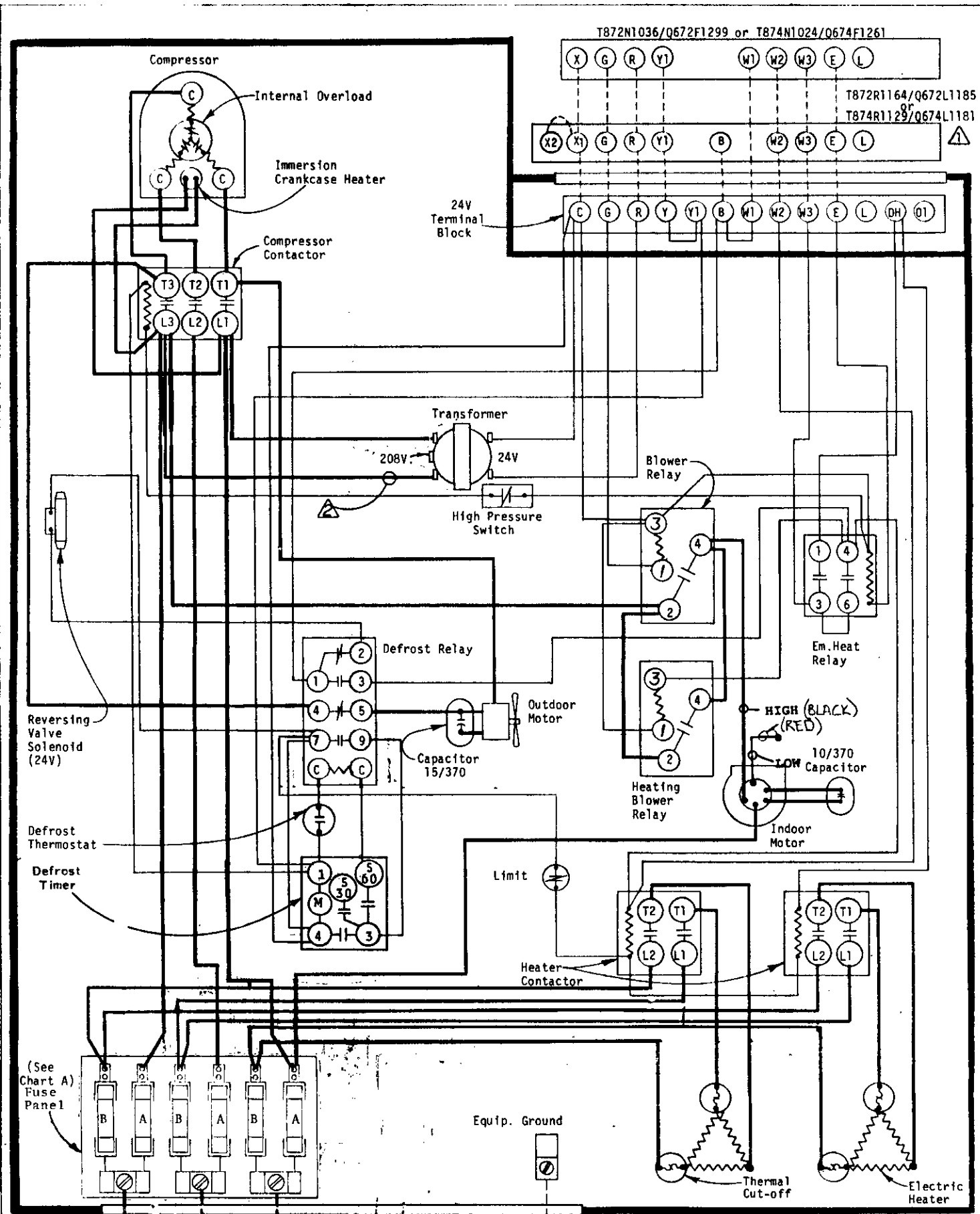
⚠ If there is an X1 and X2 terminal on Q674L1181, jumper them together and connect from C to either one.

USE COPPER OR ALUMINUM WIRE

230/208-60-3

⚠ For 208V operation move this wire to 208V transformer tap.

4014-240 W



T872N1036/Q672F1299 or T874N1024/Q674F1261
 T872R1164/Q672L1185
 T874R1129/Q674L1181

24V Terminal Block

Transformer
 208V 24V
 High Pressure Switch

Blower Relay

Em. Heat Relay

Defrost Relay

Capacitor 15/370

Outdoor Motor

Heating Blower Relay

HIGH (BLACK) (RED)
 LOW
 10/370 Capacitor
 Indoor Motor

Reversing Valve Solenoid (24V)

Defrost Thermostat

Defrost Timer

Limit

Heater Contactor

(See Chart A) Fuse Panel

Equip. Ground

Thermal Cut-off

Electric Heater

USE COPPER OR ALUMINUM WIRE

230/208-60-3

CHART A		
	42WH-3	48WH5-3
Fuse A	40A T.D.	45A T.D.
Fuse B	60A Standard	

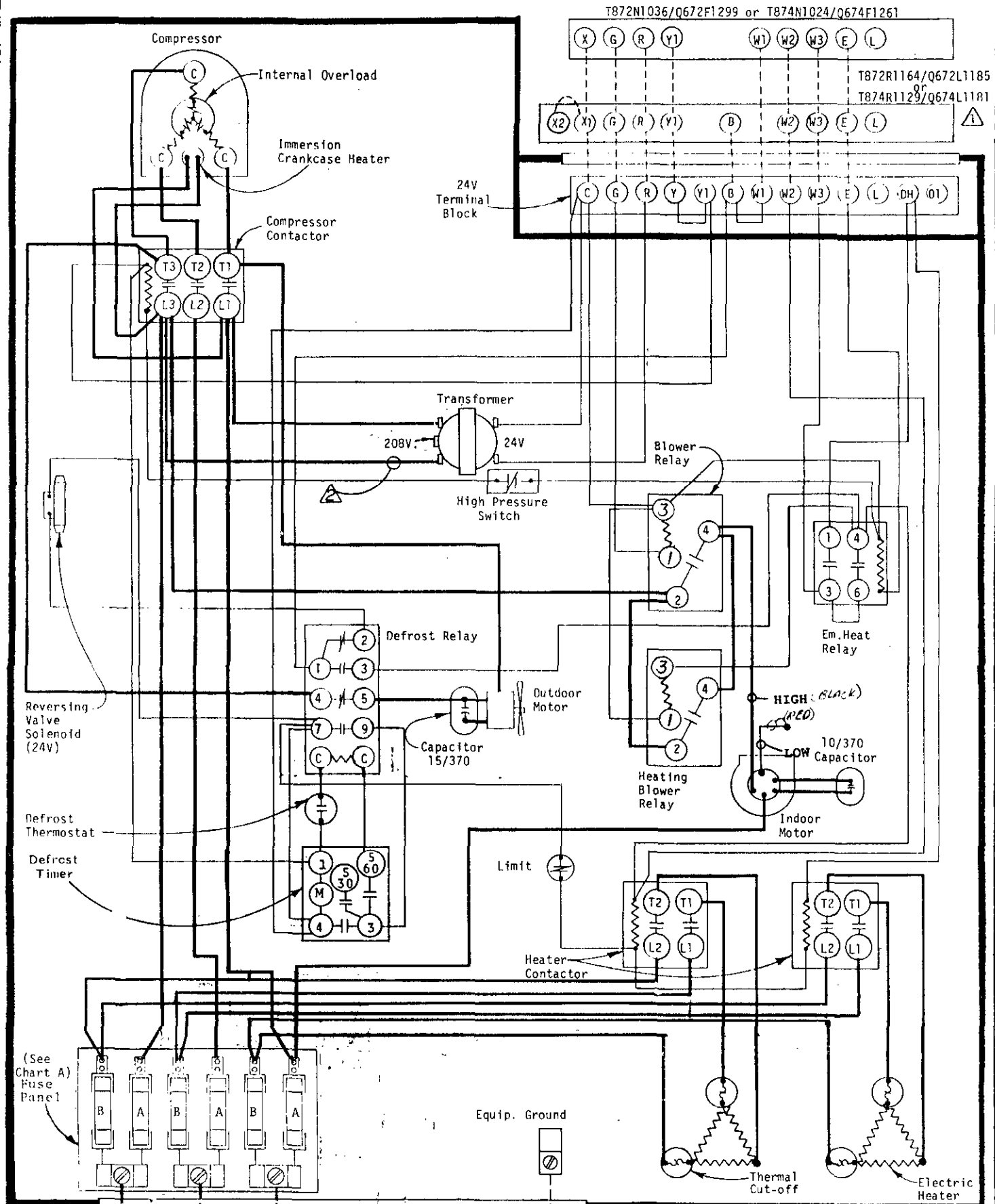
ALL FUSES CLASS K5

FACTORY WIRING FIELD WIRING
 Low Voltage ————
 High Voltage ————

⚠ If there is an X1 and X2 terminal on Q674L1181, jumper them together and connect from C to either one.

⚠ For 208V operation move this wire to 208V transformer tap.

4014-240V



USE COPPER OR ALUMINUM WIRE

230/208-60-3

CHART A		
	42WH-3	48WH5-3
Fuse A	40A T.D.	45A T.D.
Fuse B	60A Standard	

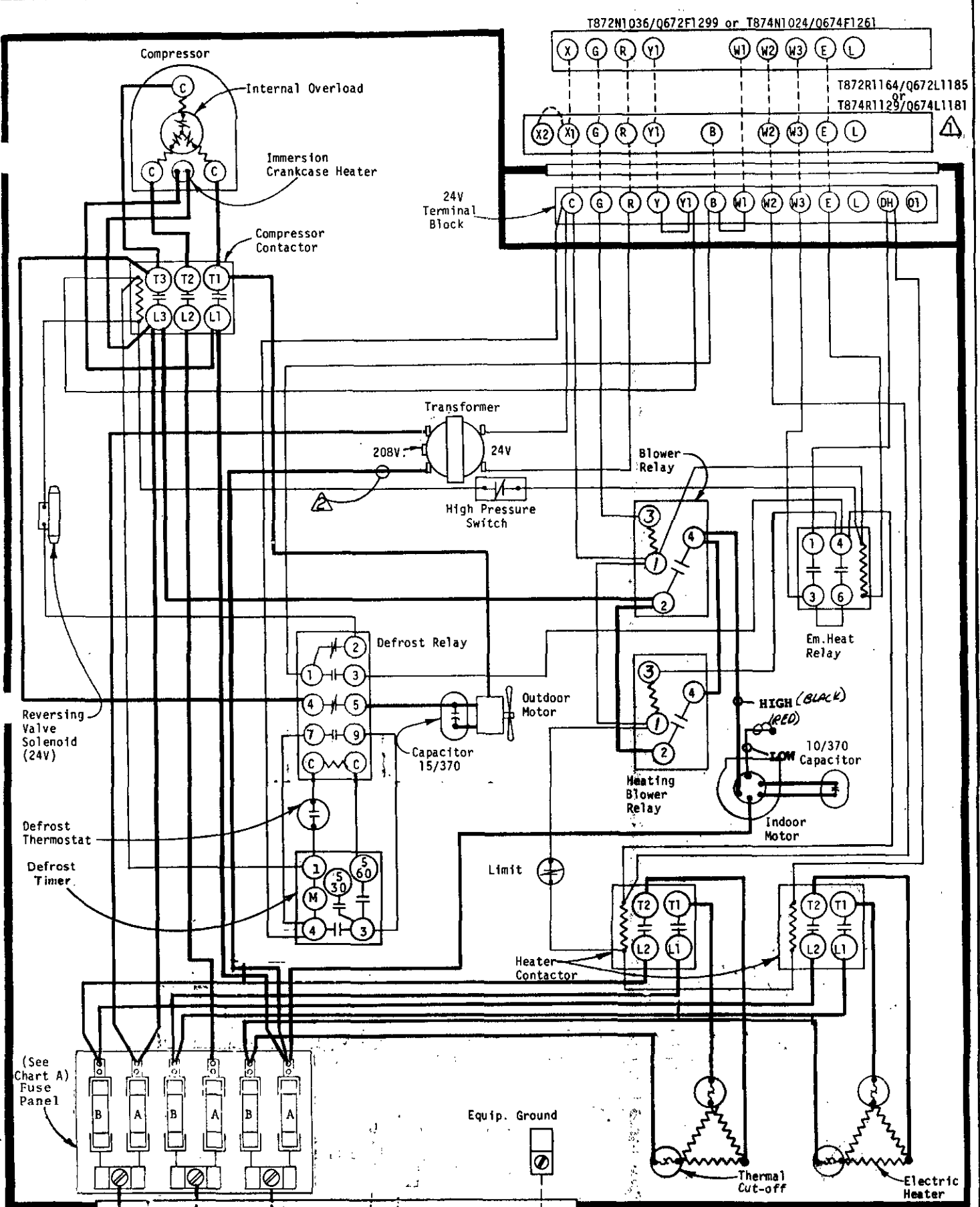
ALL FUSES CLASS K5

	FACTORY WIRING	FIELD WIRING
Low Voltage	—————	- - - - -
High Voltage	—————	—————

⚠ If there is an X1 and X2 terminal on Q674L1181, jumper them together and connect from C to either one.

⚠ For 208V operation move this wire to 208V transformer tap.

4014-240U



T872N1036/Q672F1299 or T874N1024/Q674F1261

T872R1164/Q672L1185

T874R1129/Q674L1181

24V Terminal Block

Transformer

208V

24V

High Pressure Switch

Blower Relay

Defrost Relay

Outdoor Motor

Capacitor 15/370

Heating Blower Relay

Indoor Motor

HIGH (BLACK)

LOW (RED)

10/370 Capacitor

Limit

Heater Contactor

Equip. Ground

Thermal Cut-off

Electric Heater

Reversing Valve Solenoid (24V)

Defrost Thermostat

Defrost Timer

(See Chart A) Fuse Panel

CHART A

	42WH-3	48WH5-3
Fuse A	40A T.D.	45A T.D.
Fuse B	60A Standard	

ALL FUSES CLASS K5

FACTORY WIRING FIELD WIRING
 Low Voltage ———
 High Voltage - - - -

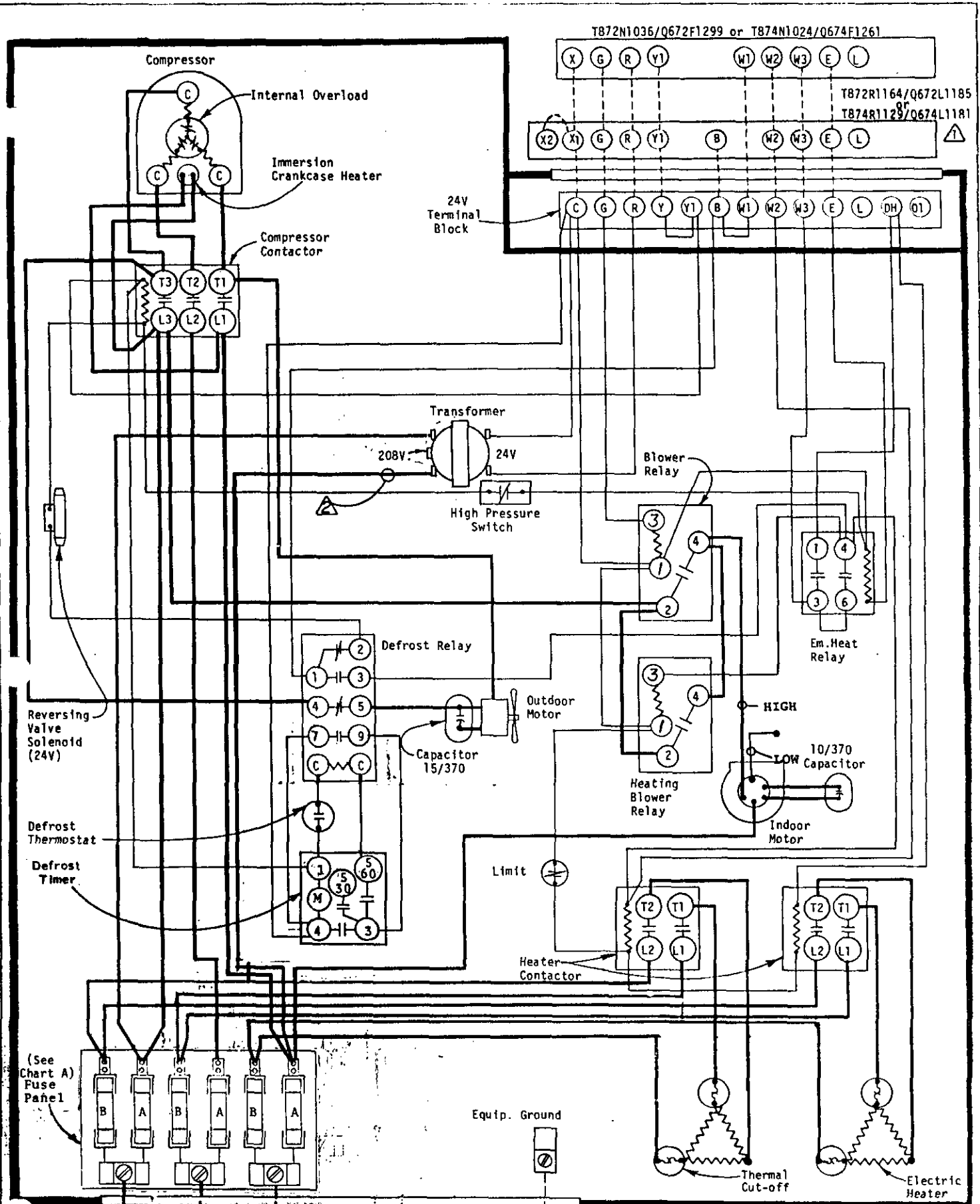
MODEL 42WH-3, 48WH5-3
 HEAT PUMP w/18KW

For 208V operation move this wire to 208V transformer tap.

4014-240T

230/208-60-3

USE COPPER OR ALUMINUM WIRE



T872N1036/Q672F1299 or T874N1024/Q674F1261

T872R1164/Q672L1185

T874R1129/Q674L1181

24V Terminal Block

Transformer

208V

24V

High Pressure Switch

Blower Relay

Em. Heat Relay

Reversing Valve Solenoid (24V)

Defrost Thermostat

Defrost Timer

Defrost Relay

Capacitor 15/370

Outdoor Motor

Heating Blower Relay

HIGH

LOW

10/370 Capacitor

Indoor Motor

Limit

Heater Contactor

(See Chart A) Fuse Panel

Equip. Ground

Thermal Cut-off

Electric Heater

USE COPPER OR ALUMINUM WIRE

CHART A		
	42WH-3	48WH5-3
Fuse A	40A T.D.	45A T.D.
Fuse B	60A Standard	

ALL FUSES CLASS K5

FACTORY WIRING	FIELD WIRING
Low Voltage	-----
High Voltage	-----

⚠ If there is an X1 and X2 terminal on Q674L1181, jumper them together and connect from C to either one.

MODEL
42WH-3, 48WH5-3
HEAT PUMP
w/18KW

230/208-60-3

⚠ For 208V operation move this wire to 208V transformer tap.

4014-2405

T872N1036/0672F1299 or T874N1024/0674F1261

X G R Y1 W1 W2 W3 E L

T872R1164/0672L1185
T874R1128/0674L1181

X2 X1 G R Y1 B W1 W2 W3 E L

C G R Y1 Y1 B W1 W2 W3 E L DH Q1

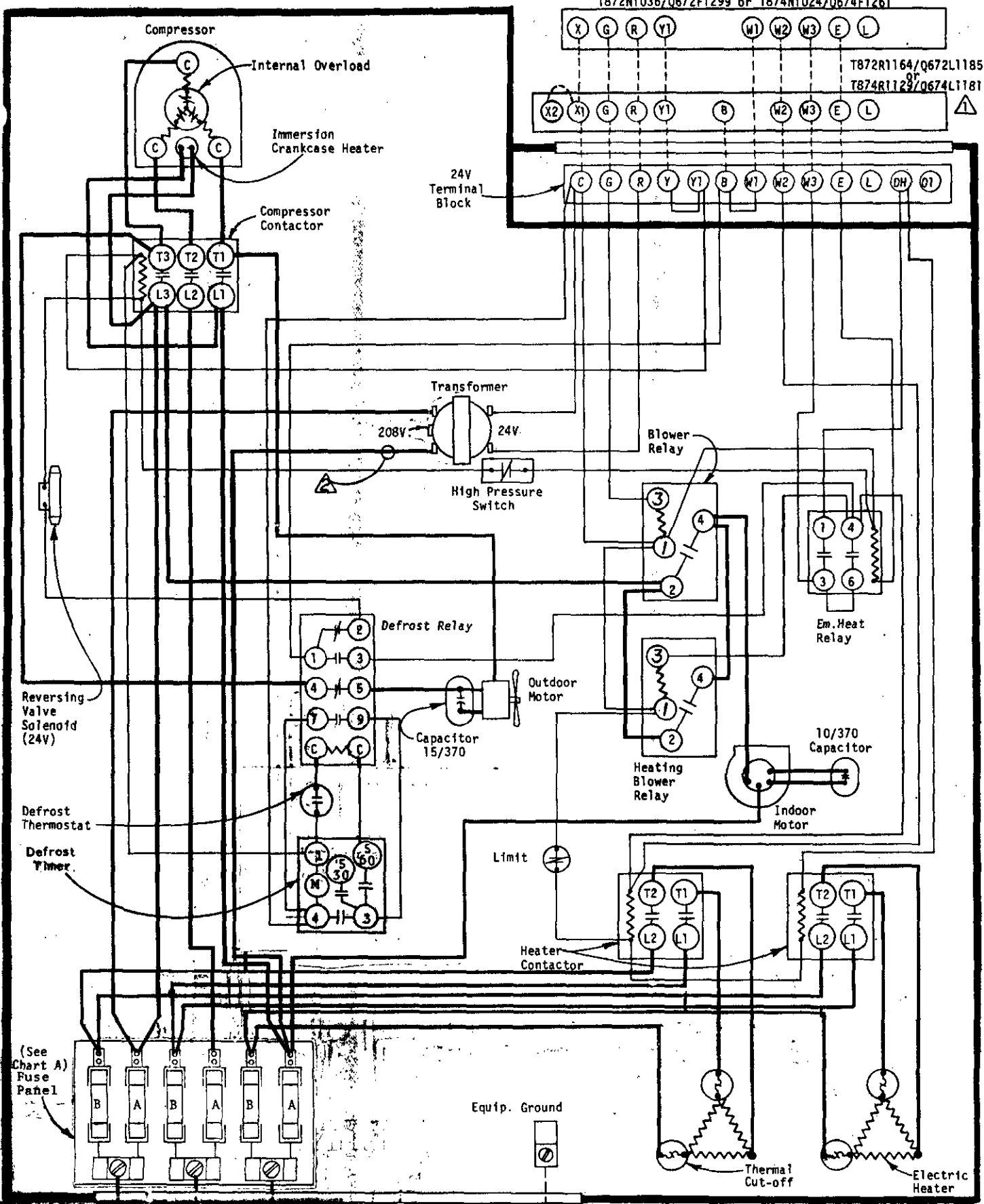


CHART A

	42WH-3	48WH5-3
Fuse A	40A T.D.	45A T.D.
Fuse B	60A Standard	

ALL FUSES CLASS K5

	FACTORY WIRING	FIELD WIRING
Low Voltage	_____	-----
High Voltage	_____	-----

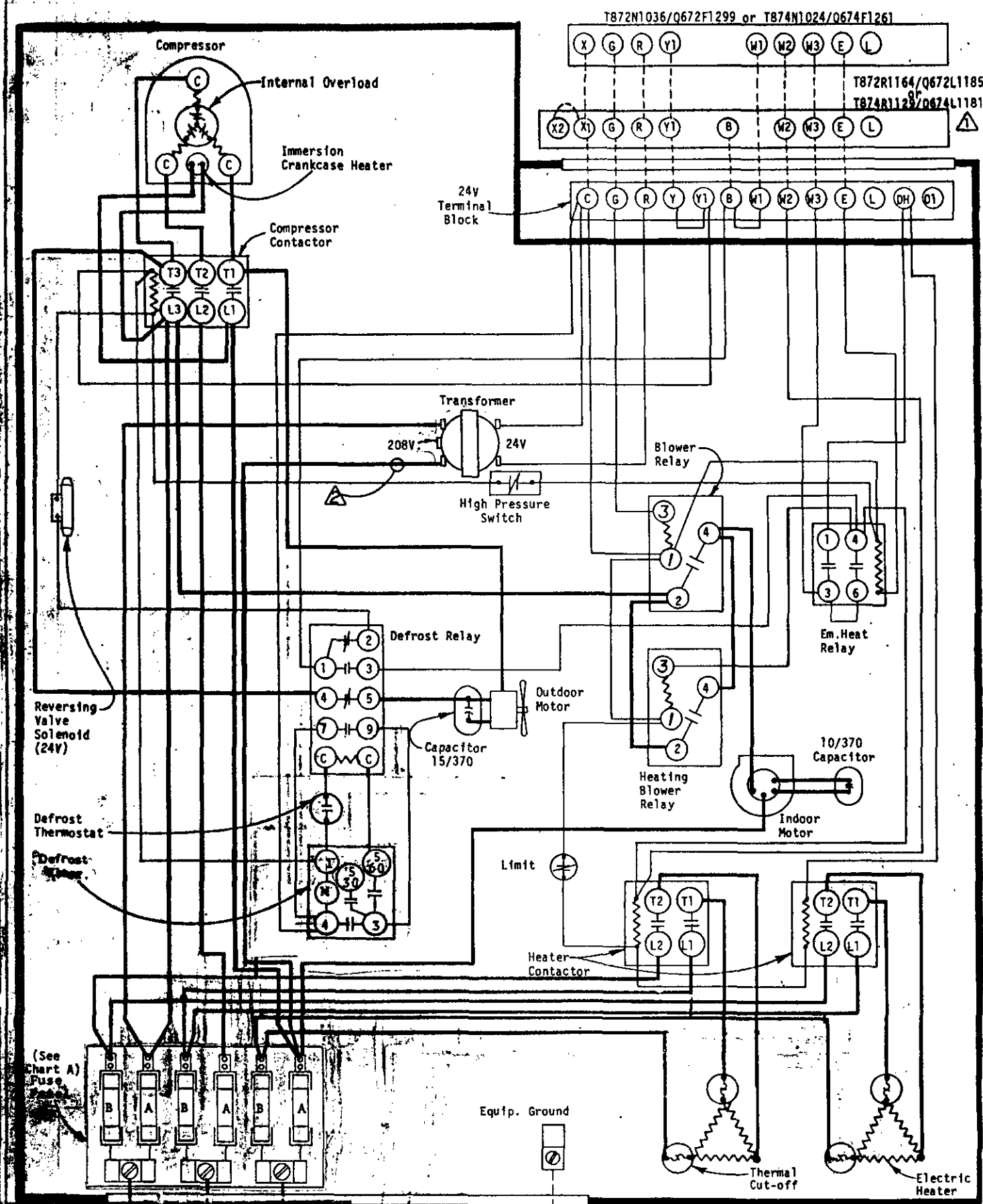
⚠ If there is an X1 and X2 terminal on 0674L1181, jumper them together and connect from C to either one.

MODEL
42WH-3, 48WH5-3
HEAT PUMP
w/18KW

230/208-60-3

⚠ For 208V operation move this wire to 208V transformer tap.

4014-240R



T872N1036/Q672F1299 or T874N1024/Q674F1261
 T872R1164/Q672L1185
 T874R1128/Q674L1181

CHART A

Fuse A	42WH-3	48WH5-3
Fuse B	40A T.D.	45A T.D.
	60A Standard	

FACTORY WIRING FIELD WIRING
 Low Voltage —————
 High Voltage - - - - -

MODEL
 42WH-3, 48WH5-3
 HEAT PUMP
 w/18KW

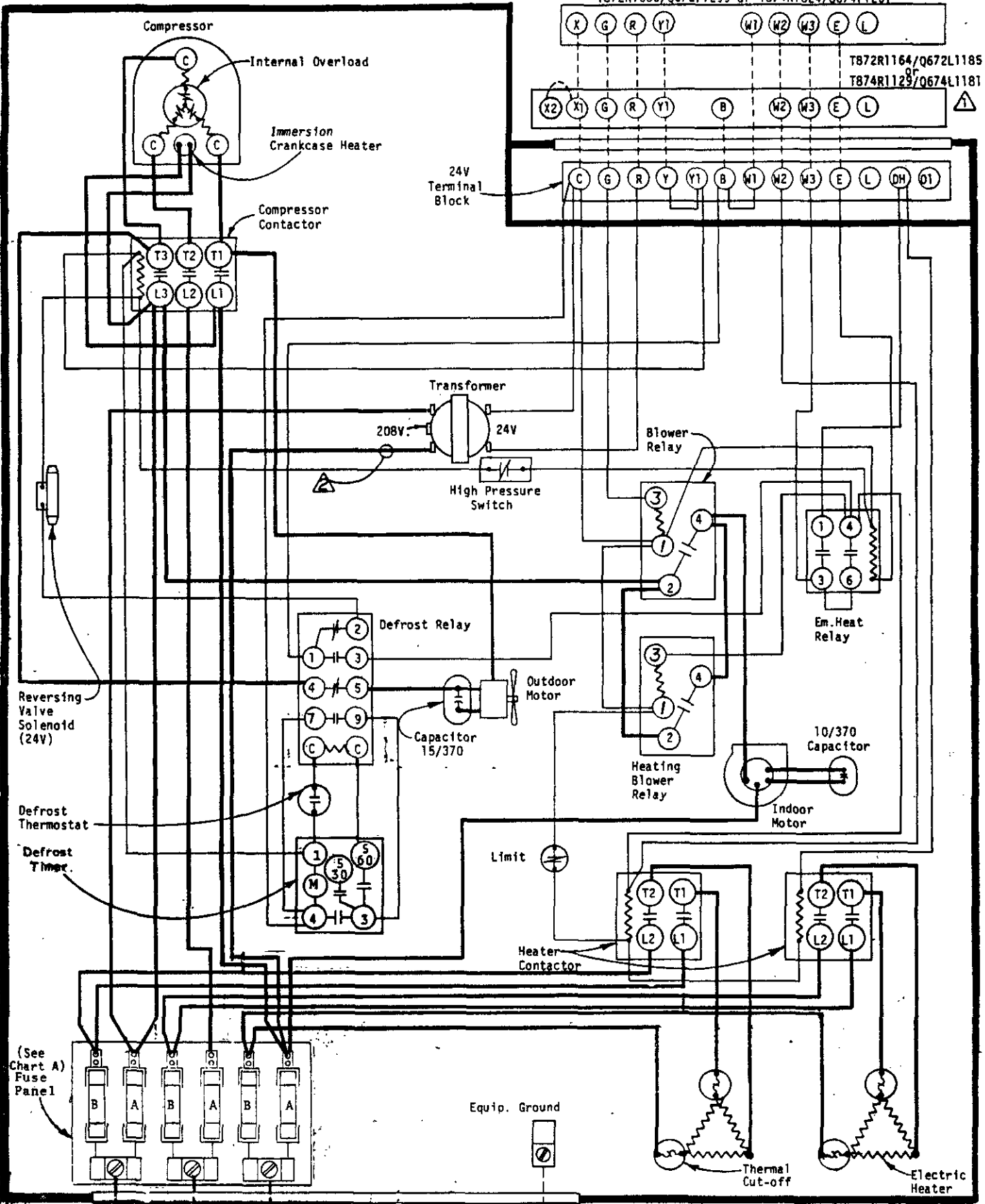
⚠ For 208V operation move this wire to 208V transformer tap.

4014-2400

T872N1036/Q672F1299 or T874N1024/Q674F1261

T872R1164/Q672L1185

T874R1129/Q674L1181



USE COPPER OR ALUMINUM WIRE

230/208-60-3

CHART A	
42WH-3	48WH5-3
Fuse A	40A T.D. 45A T.D.
Fuse B	60A Standard

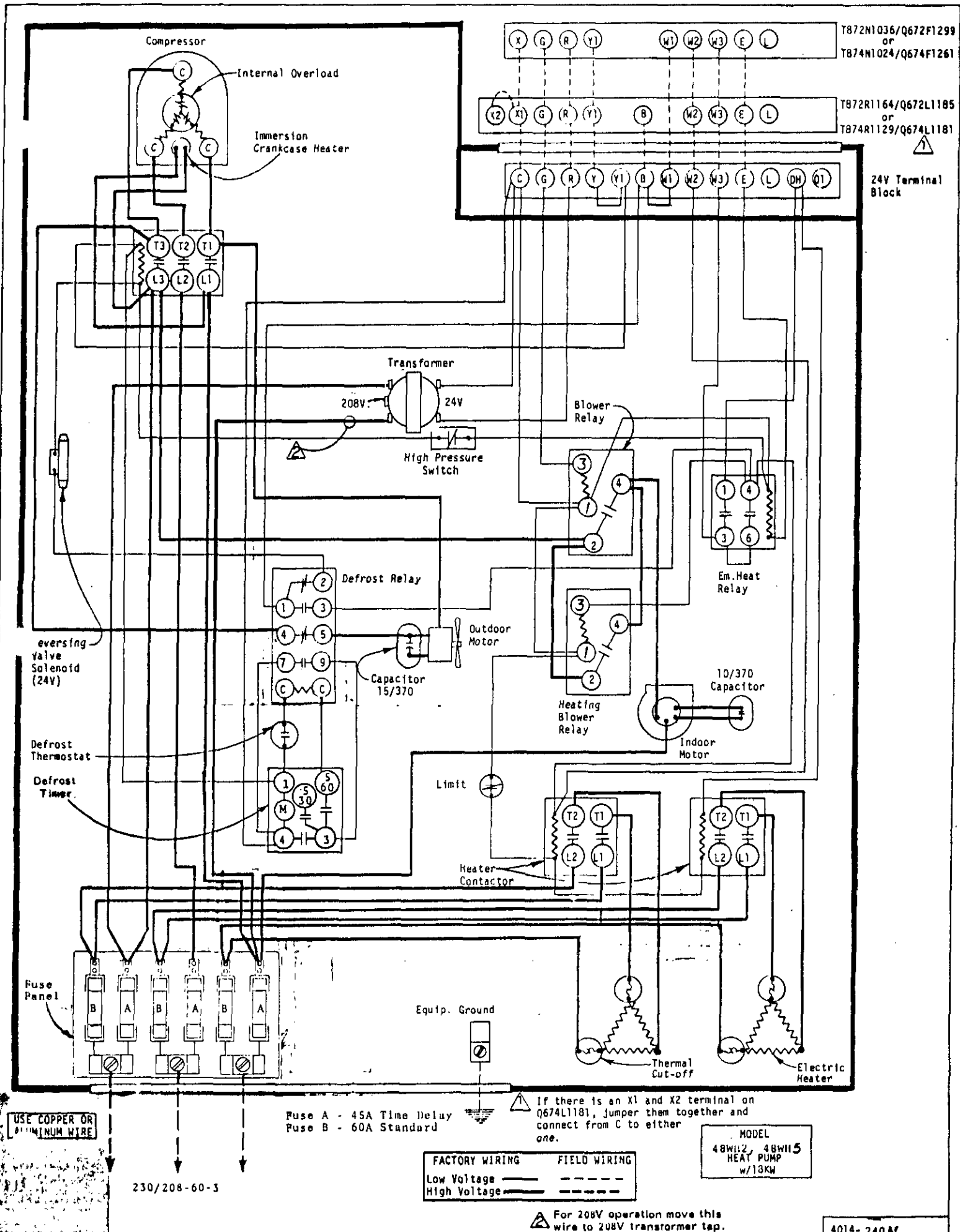
FACTORY WIRING FIELD WIRING
 Low Voltage —————
 High Voltage - - - - -

⚠ If there is an X1 and X2 terminal on Q674L1181, jumper them together and connect from C to either one.

MODEL
 42WH-3, 48WH5-3
 HEAT PUMP
 w/18KW

⚠ For 208V operation move this wire to 208V transformer tap.

4014-240P



T872N1036/Q672F1299
or
T874N1024/Q674F1261

T872R1164/Q672L1185
or
T874R1129/Q674L1181

24V Terminal Block

USE COPPER OR ALUMINUM WIRE

Fuse A - 45A Time Delay
Fuse B - 60A Standard

⚠ If there is an X1 and X2 terminal on Q674L1181, Jumper them together and connect from C to either one.

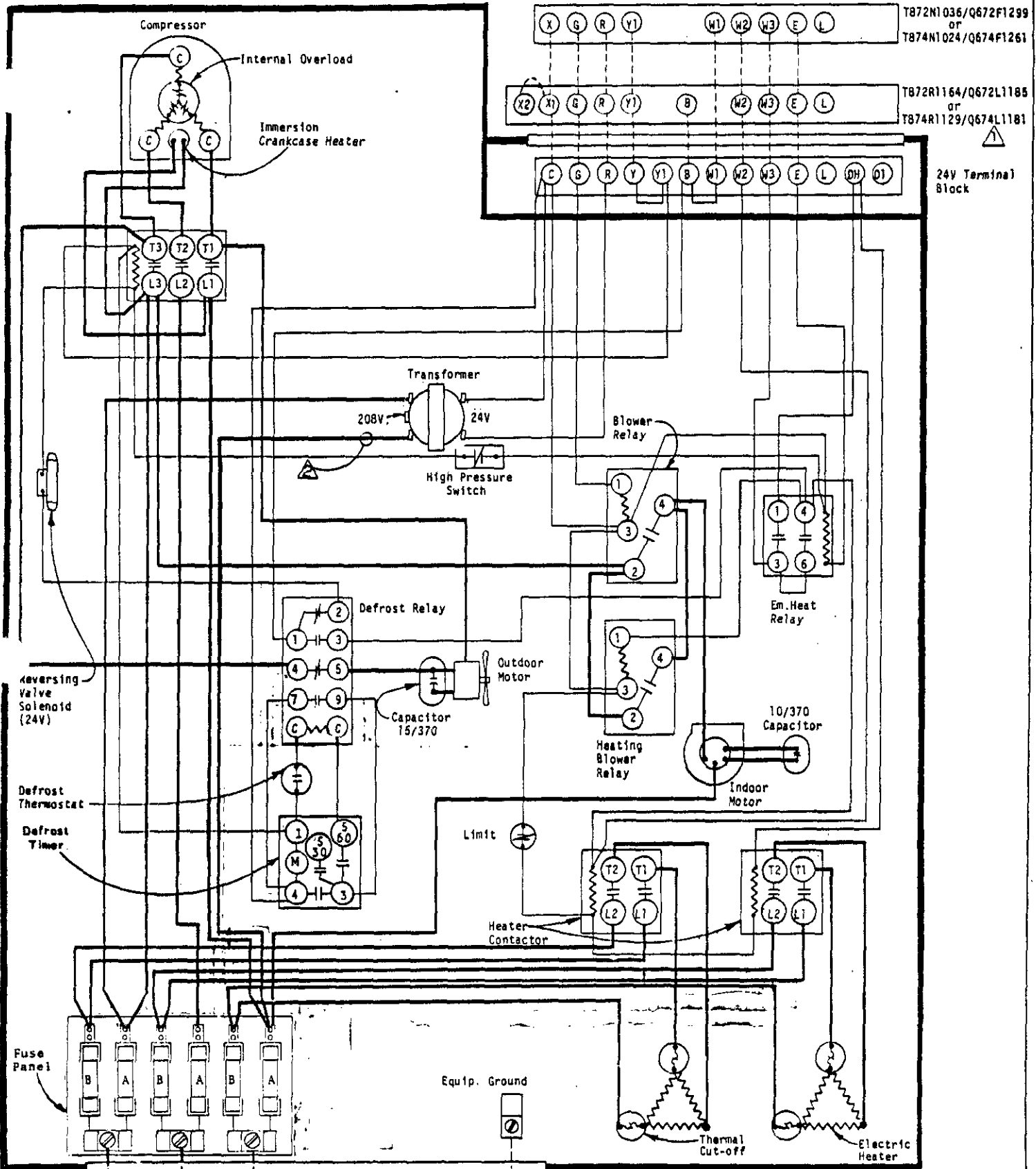
MODEL
48WH2, 48WH5
HEAT PUMP
w/13KW

FACTORY WIRING FIELD WIRING
Low Voltage ———
High Voltage - - - -

⚠ For 208V operation move this wire to 208V transformer tap.

4014-240M

230/208-60-3



T872N1036/Q672F1299
or
T874N1024/Q674F1261

T872R1164/Q672L1185
or
T874R1129/Q674L1181

24V Terminal Block

Reversing Valve Solenoid (24V)

Defrost Thermostat

Defrost Timer

Fuse Panel

Equip. Ground

COPPER OR MINUM WIRE

230/208-60-3

Fuse A - 45A Time Delay
Fuse B - 60A Standard

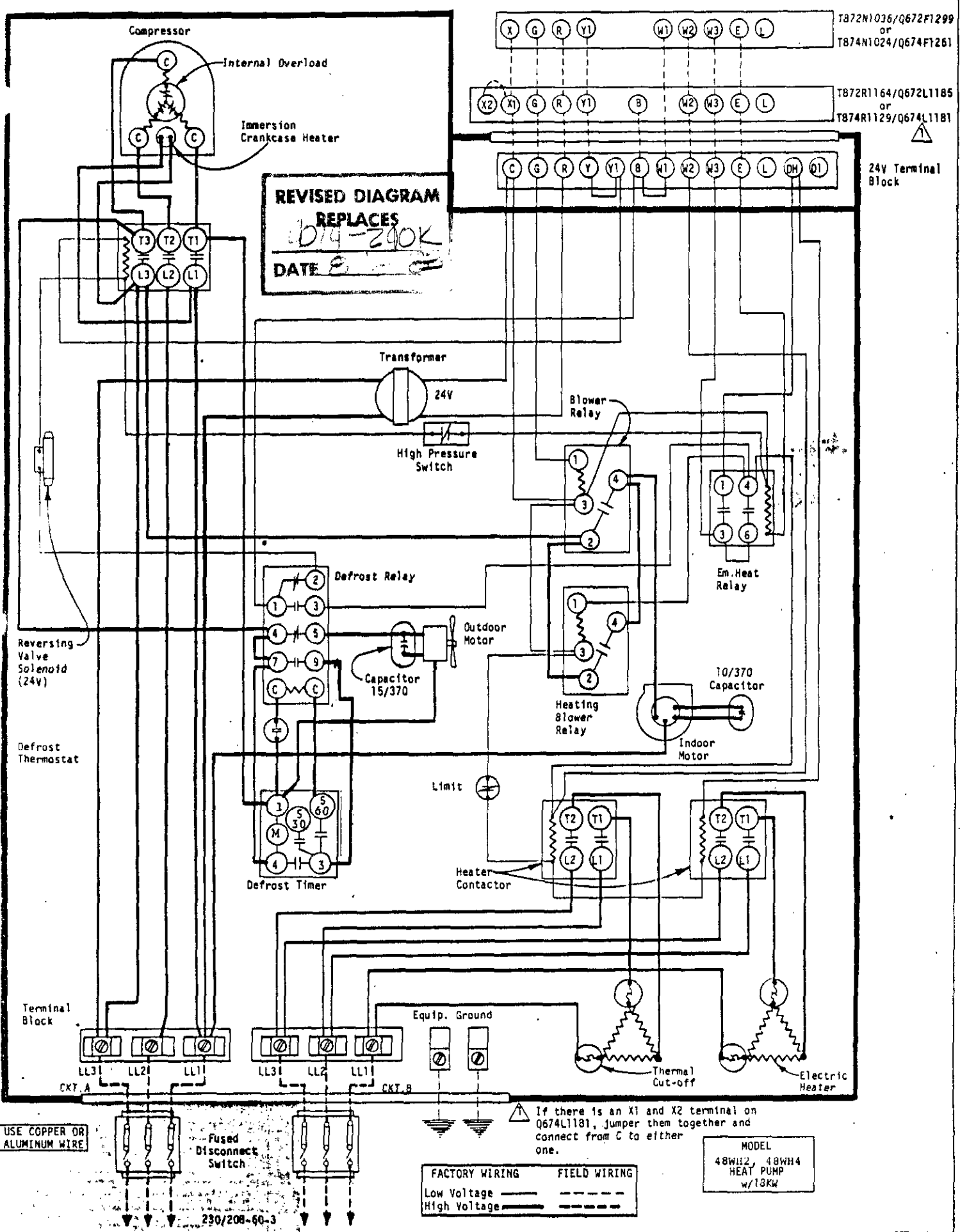
If there is an X1 and X2 terminal on Q674L1181, jumper them together and connect from C to either one.

FACTORY WIRING FIELD WIRING
Low Voltage ———
High Voltage - - - - -

MODEL
48WH2, 48WH5
HEAT PUMP
w/13KW

For 208V operation move this wire to 208V transformer tap.

4014-240 K



**REVISED DIAGRAM
REPLACES
D74-240K
DATE 8-1-68**

TB72N1036/Q672F1299
or
TB74N1024/Q674F1261

TB72R1164/Q672L1185
or
TB74R1129/Q674L1181

24V Terminal Block

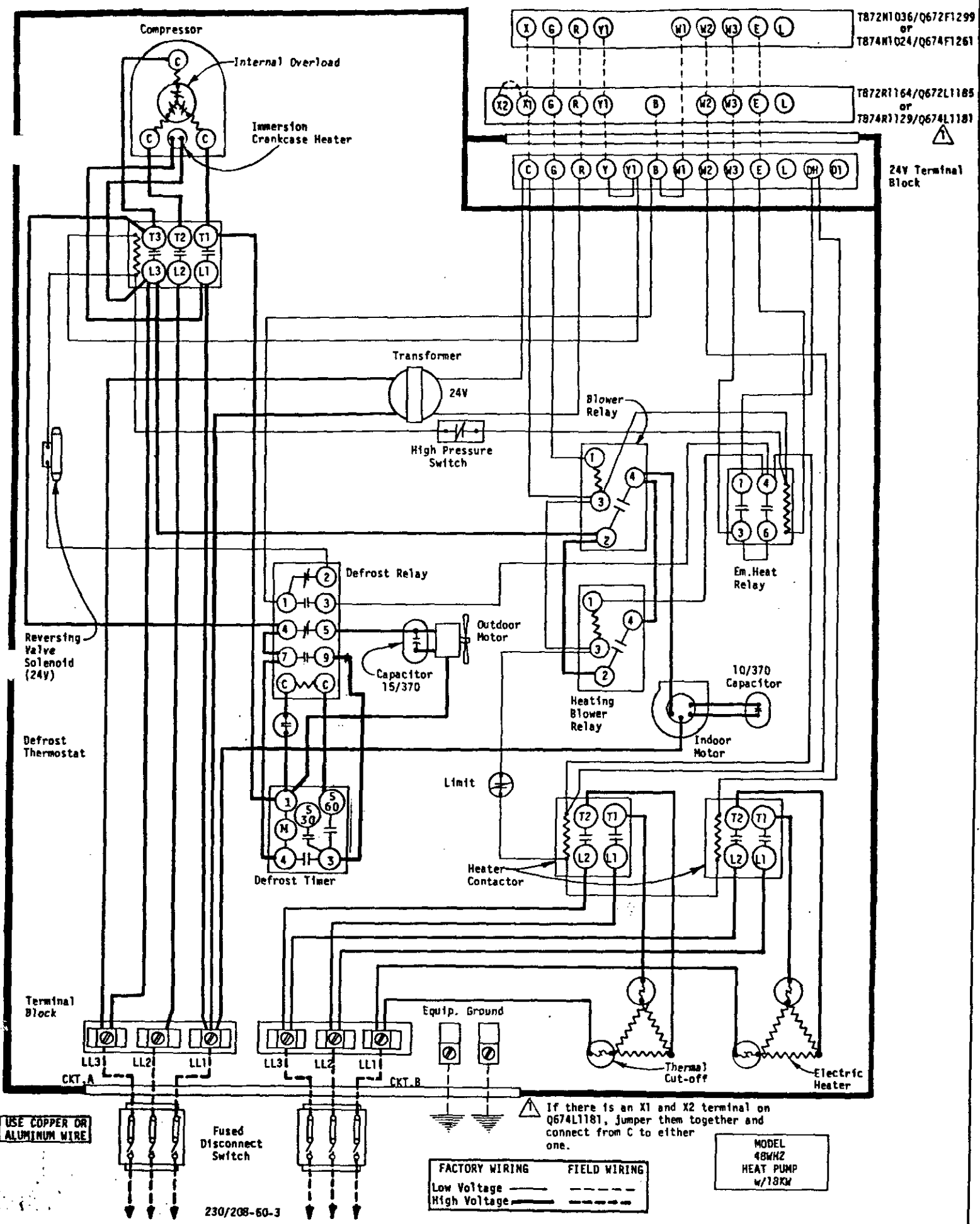
USE COPPER OR ALUMINUM WIRE

290/208-60-3

	FACTORY WIRING	FIELD WIRING
Low Voltage	—	- - -
High Voltage	—	—

MODEL
48WH12, 48WH4
HEAT PUMP
w/18KW

⚠ If there is an X1 and X2 terminal on Q674L1181, jumper them together and connect from C to either one.



T872H1036/Q672F1299
 OR
 T874N1024/Q674F1261

T872R1164/Q672L1185
 OR
 T874R1129/Q674L1181

24V Terminal Block

USE COPPER OR ALUMINUM WIRE

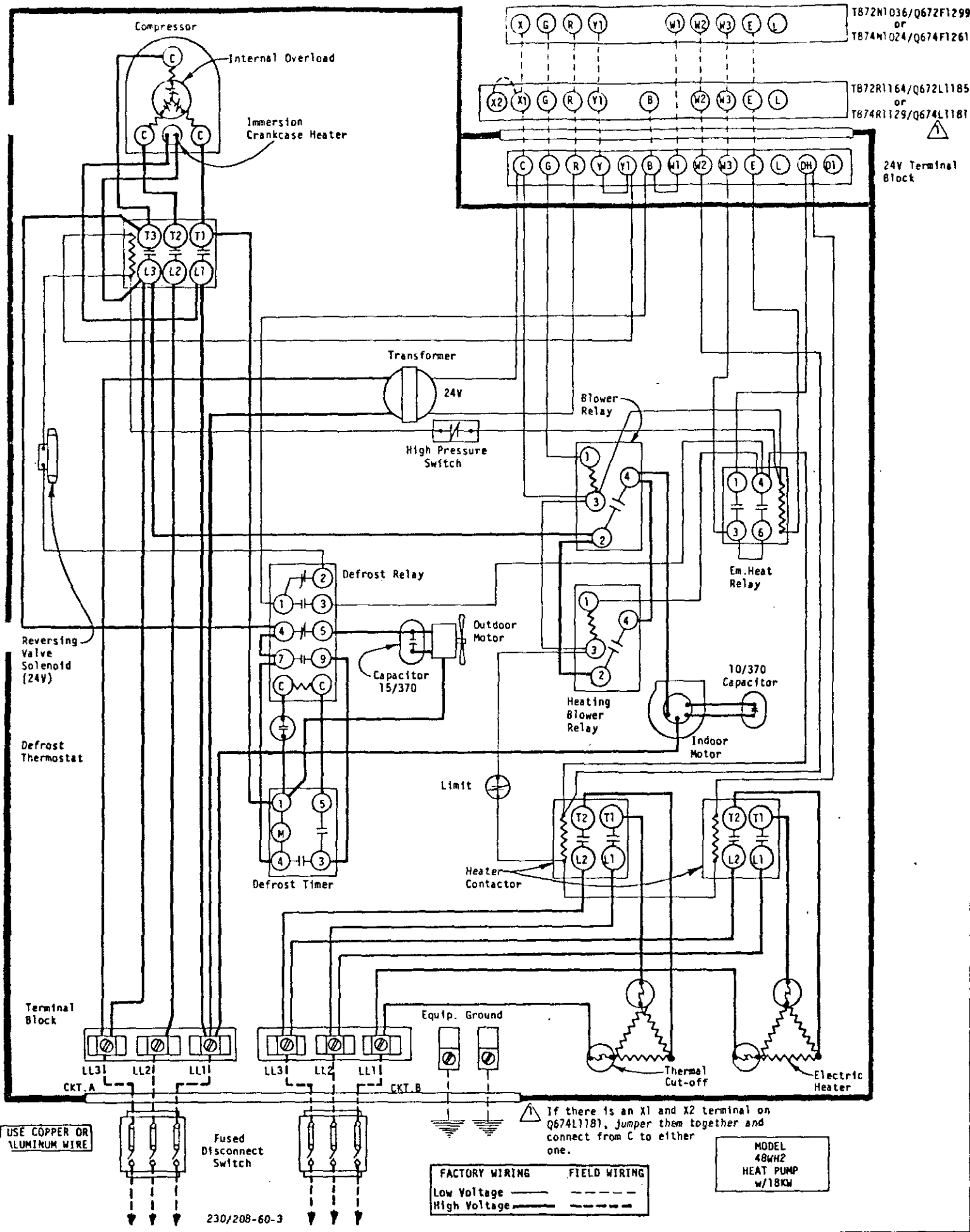
230/208-60-3

FACTORY WIRING FIELD WIRING

Low Voltage ————
 High Voltage - - - -

MODEL
 48WHZ
 HEAT PUMP
 w/18KW

⚠ If there is an X1 and X2 terminal on Q674L1181, jumper them together and connect from C to either one.



TB72N1036/Q672F1299
OR
TB74N1024/Q674F1261

TB72R1164/Q672L1185
OR
TB74R1129/Q674L1181

24V Terminal Block

Reversing Valve Solenoid (24V)

Defrost Thermostat

Terminal Block

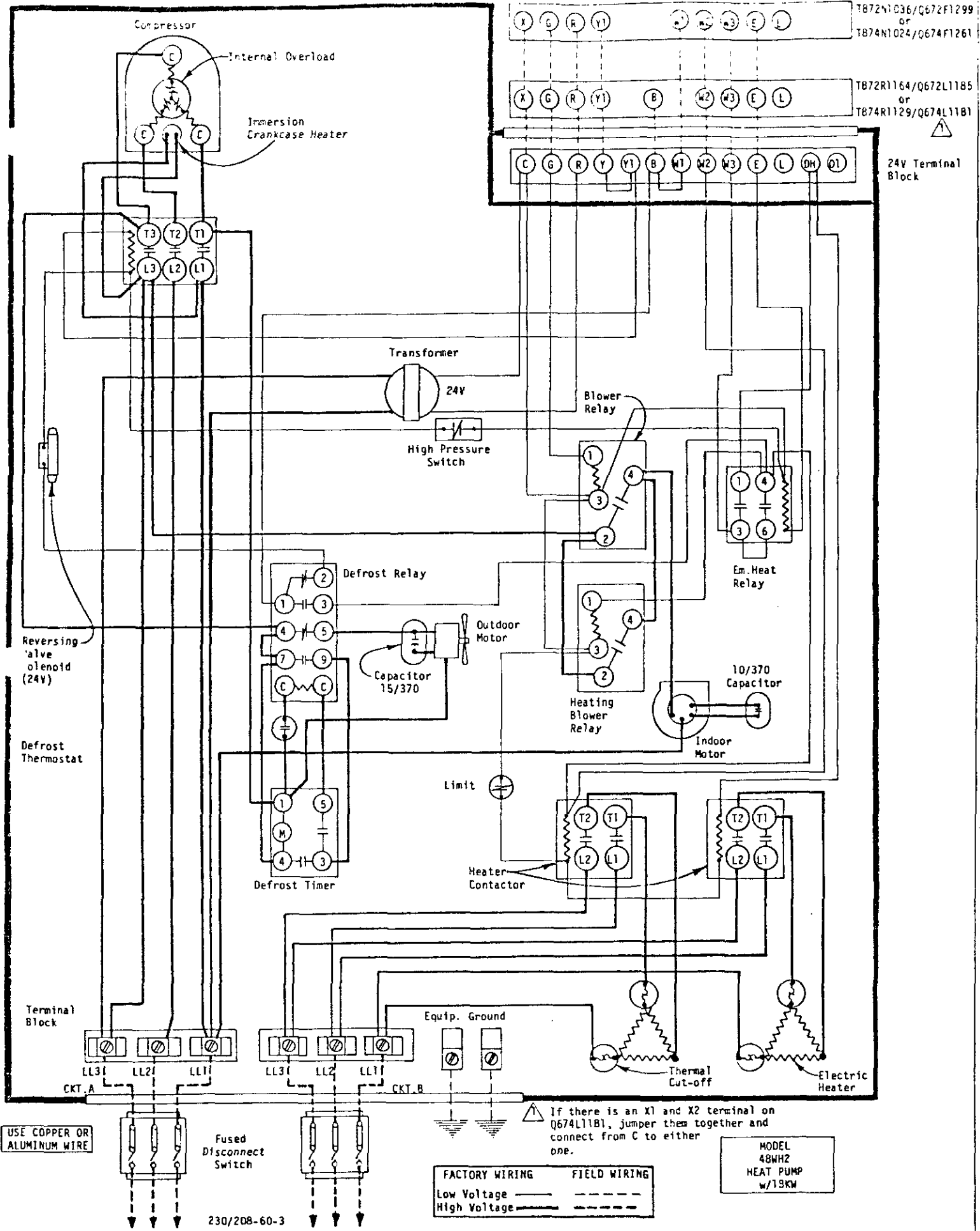
USE COPPER OR ALUMINUM WIRE

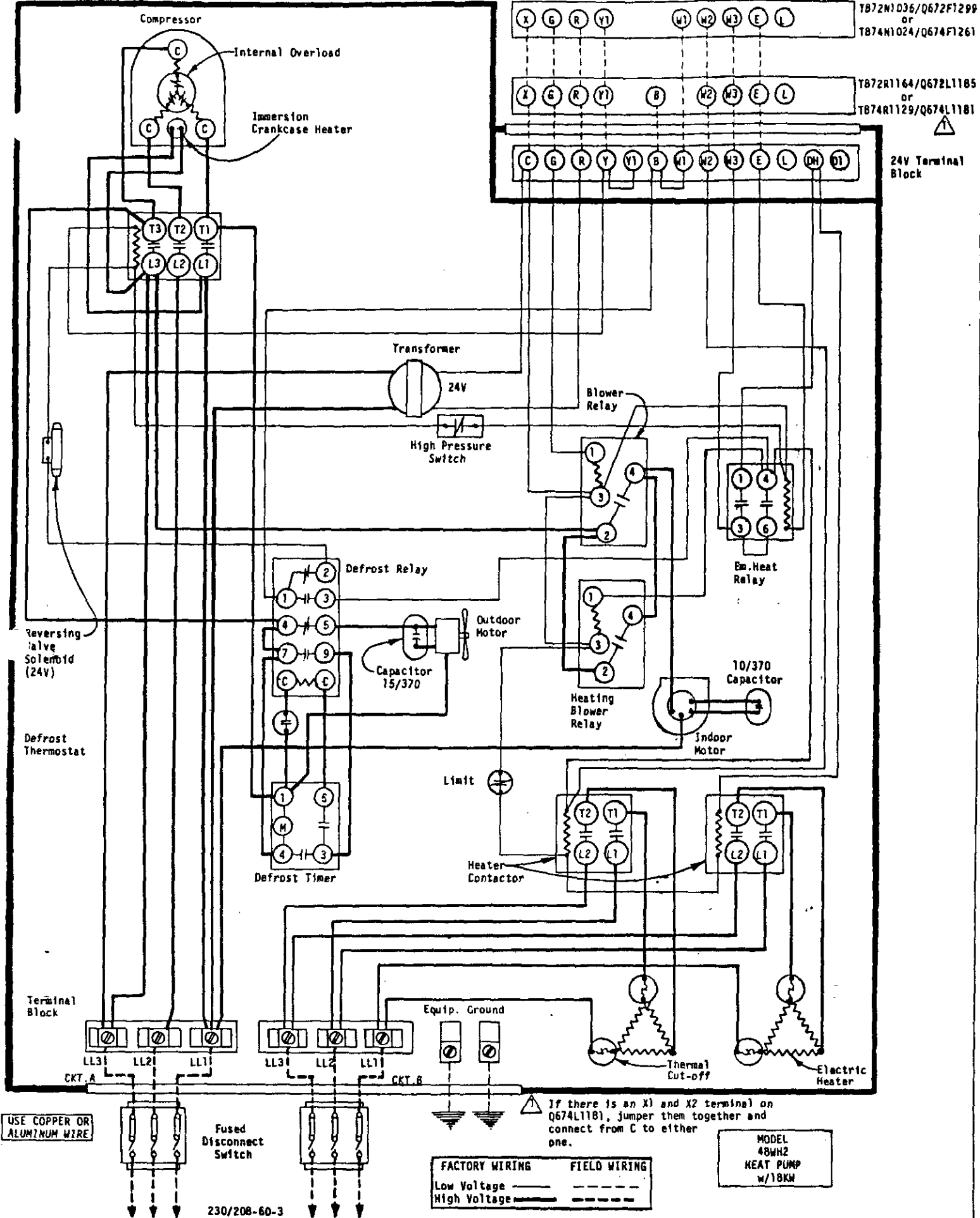
230/208-60-3

FACTORY WIRING FIELD WIRING
Low Voltage ———
High Voltage - - - - -

If there is an X1 and X2 terminal on Q674L1181, jumper them together and connect from C to either one.

MODEL 48WH2 HEAT PUMP w/18KW





TB72N1036/Q672F1299
or
TB74N1024/Q674F1261

TB72R1164/Q672L1185
or
TB74R1129/Q674L1181

24V Terminal Block

Reversing Valve Solenoid (24V)

Defrost Thermostat

Terminal Block

Equip. Ground

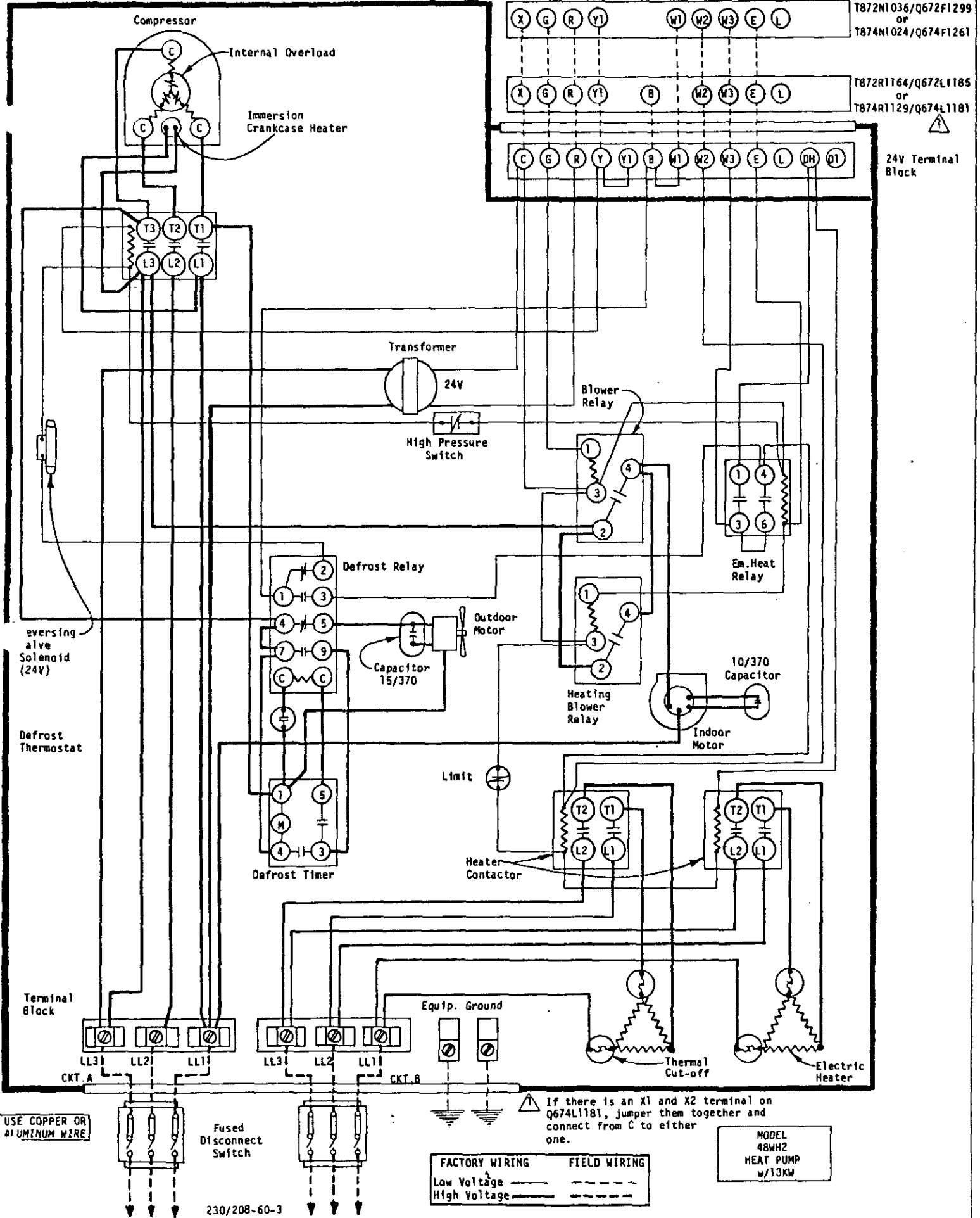
USE COPPER OR ALUMINUM WIRE

230/208-60-3

If there is an X1 and X2 terminal on Q674L1181, jumper them together and connect from C to either one.

MODEL 48WH2 HEAT PUMP w/18KW

FACTORY WIRING	FIELD WIRING
Low Voltage	-----
High Voltage	-----



T872N1036/Q672F1299
or
T874N1024/Q674F1261

T872R1164/Q672L1185
or
T874R1129/Q674L1181



24V Terminal Block

Reversing Solenoid (24V)

Defrost Thermostat

Terminal Block

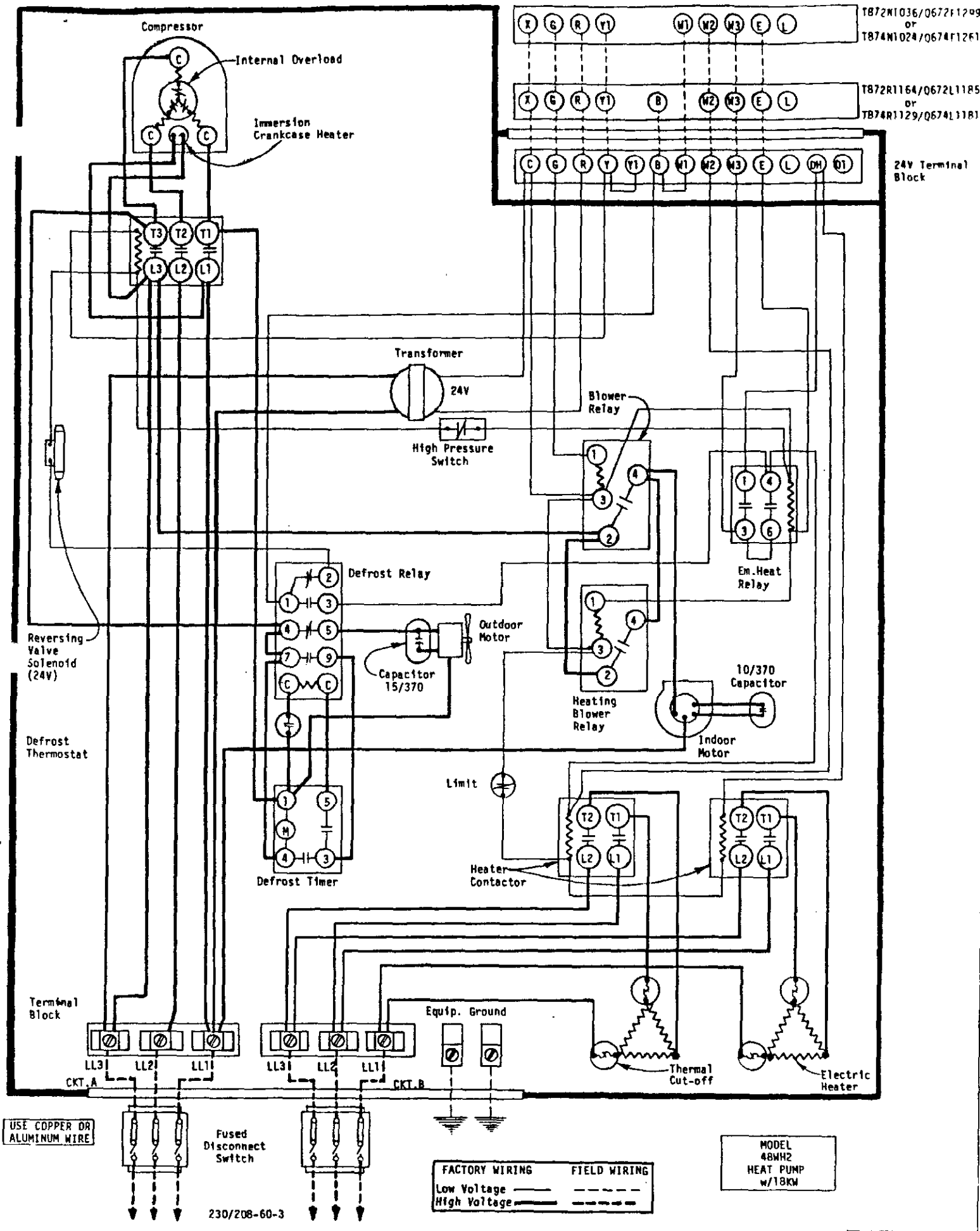
USE COPPER OR ALUMINUM WIRE

230/208-60-3

FACTORY WIRING (Solid line)
FIELD WIRING (Dashed line)

Low Voltage (Thin line)
High Voltage (Thick line)

MODEL 48WH2 HEAT PUMP w/13KW



TB72M1036/0672F1209
OR
TB74M1024/0674F1261

TB72R1164/0672L1185
OR
TB74R1129/0674L1181

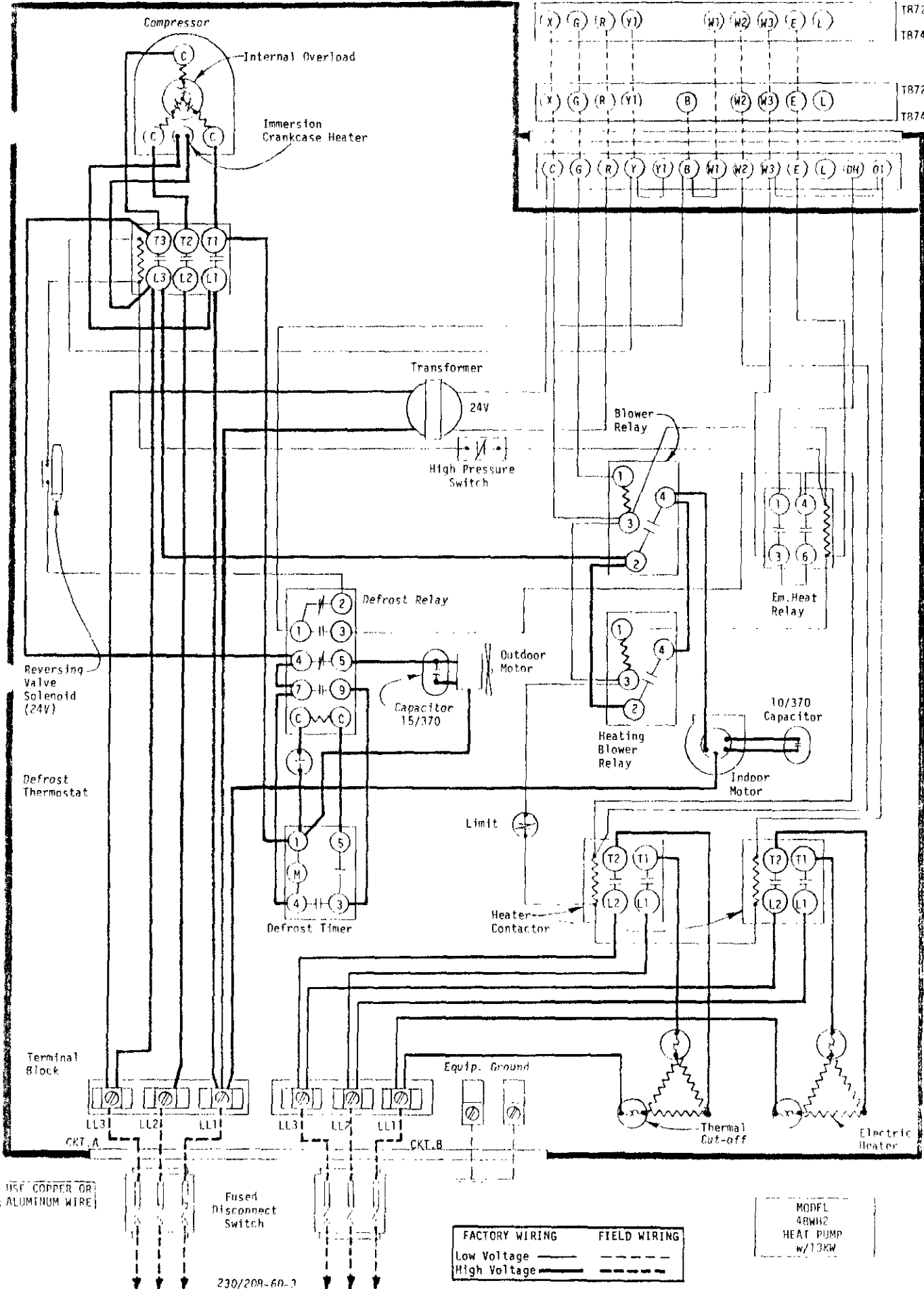
24V Terminal Block

MODEL 48WH2
HEAT PUMP
w/18KW

TR72N1036/067211,09
or
T874N1024/0674F1261

T872R1164/0672L1185
or
T874R1129/0674L1181

24V Terminal Block

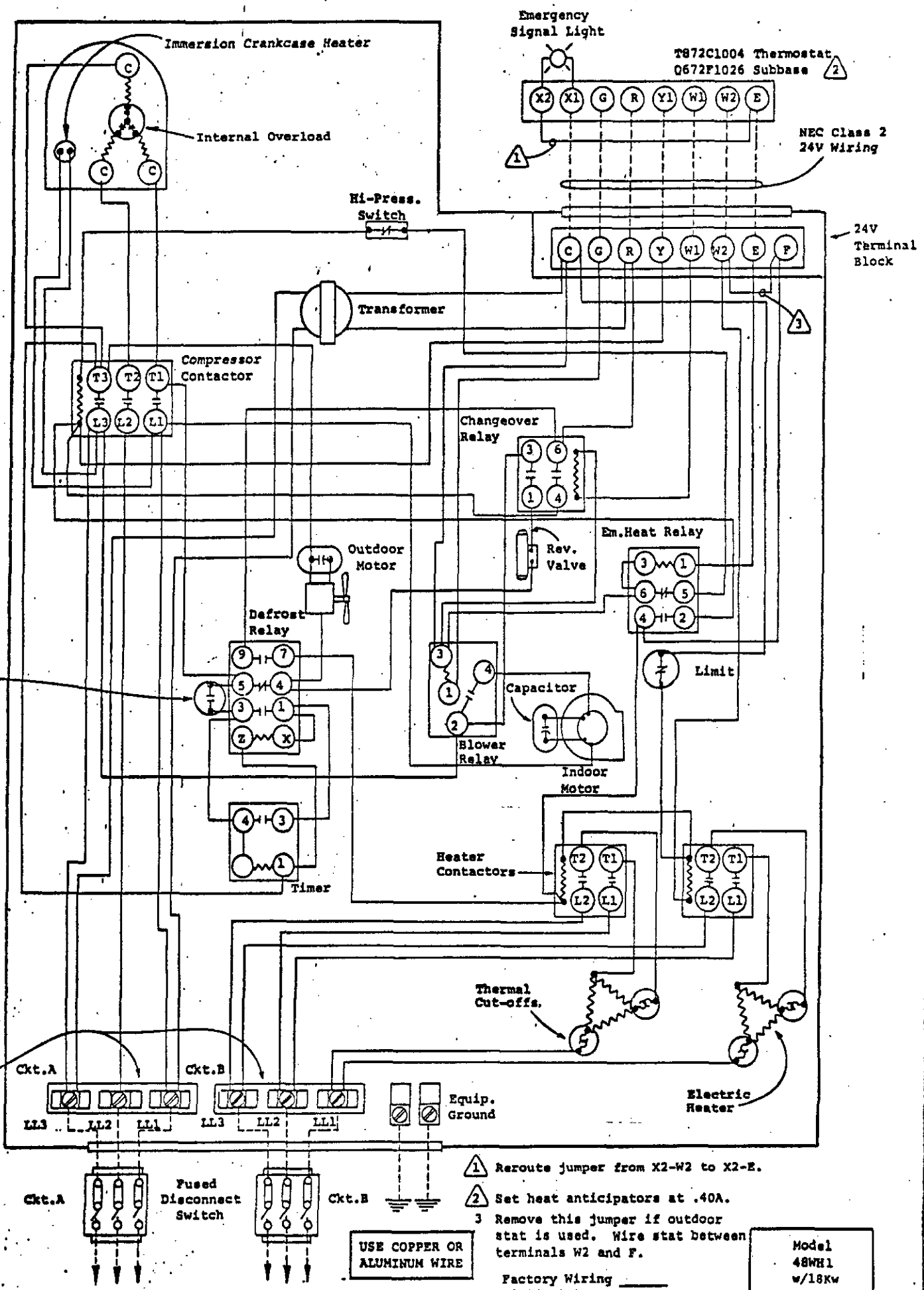


USE COPPER OR ALUMINUM WIRE

230/208-60-3

FACTORY WIRING		FIELD WIRING	
Low Voltage	—————	-----	-----
High Voltage	—————	-----	-----

MODFL
48WH2
HEAT PUMP
w/10KW



- 1 Reroute jumper from X2-W2 to X2-E.
- 2 Set heat anticipators at .40A.
- 3 Remove this jumper if outdoor stat is used. Wire stat between terminals W2 and F.

USE COPPER OR ALUMINUM WIRE

Model
48WH1
w/18Kw

Factory Wiring _____
Field Wiring - - - - -

230/208-60-3

4014-240 Rev. C