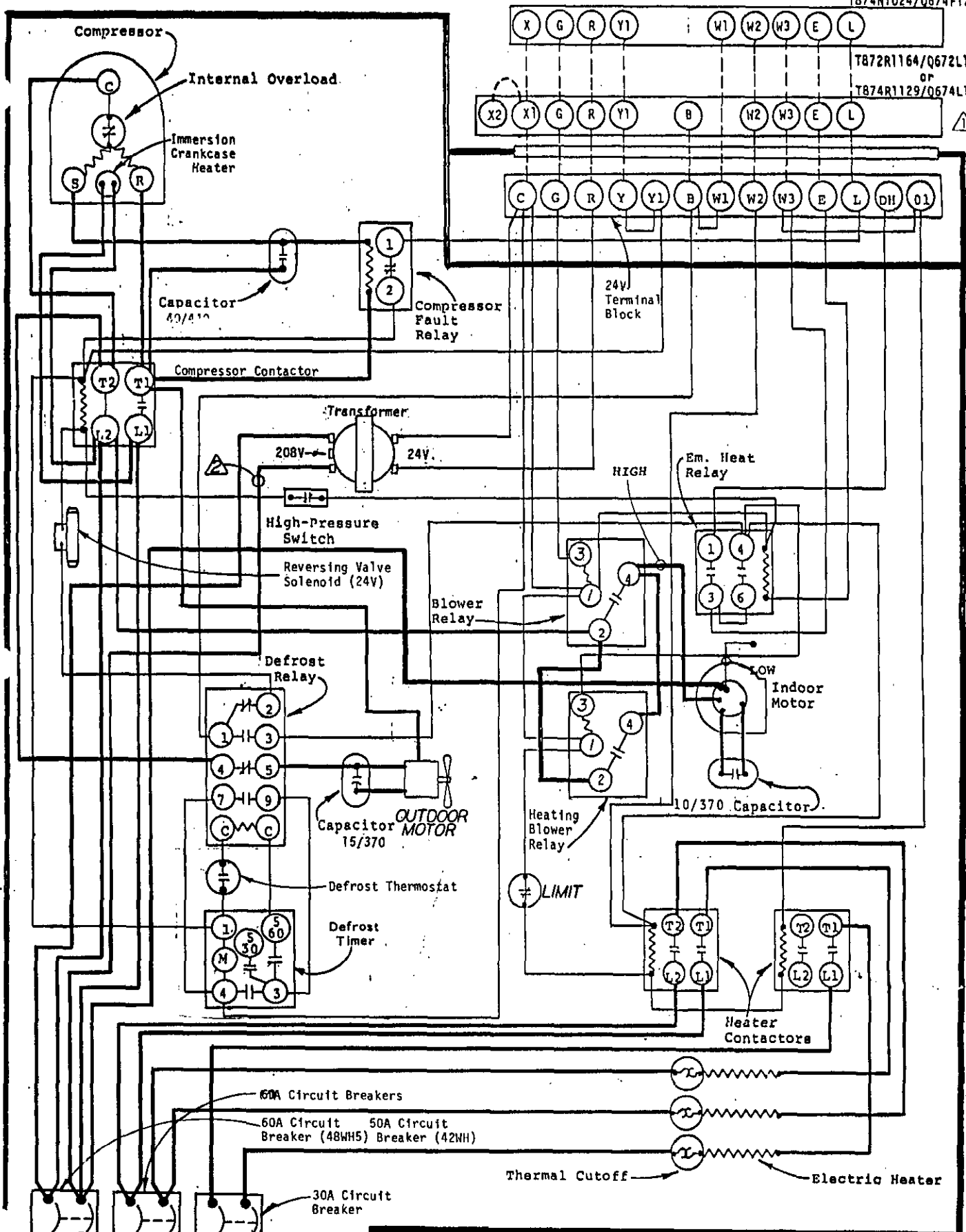


T872N1036/Q672F1299  
 OR  
 T874N1024/Q674F1261

T872R1164/Q672L1185  
 OR  
 T874R1129/Q674L1181



**USE COPPER OR ALUMINUM WIRE**

	FACTORY WIRING	FIELD WIRING
Low Voltage	————	- - - - -
High Voltage	————	- - - - -

MODEL  
 42WH48WH5  
 HEAT PUMP  
 15 Kw

- ⚠ If there is an X1 and X2 terminal on Q674L1181, jumper them together and connect from C to either one.
- ⚠ For 208V operation move this wire to 208V transformer tap

330/308-60