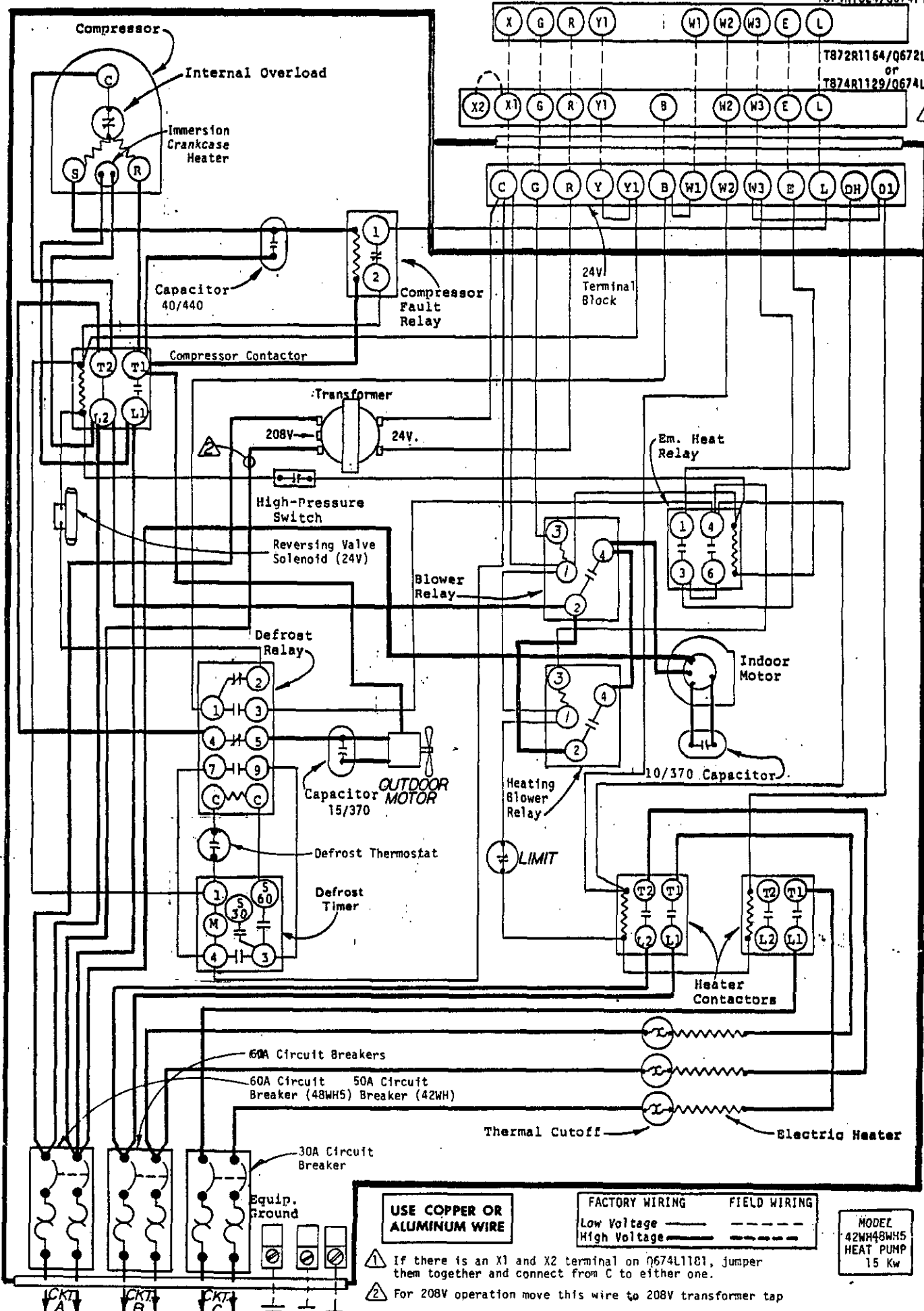


T872N1036/Q672F1299
 or
 T874N1024/Q674F1261

T872R1164/Q672L1185
 or
 T874R1129/Q674L1181



USE COPPER OR ALUMINUM WIRE

FACTORY WIRING	FIELD WIRING
Low Voltage ———	—————
High Voltage ———	—————

MODEL
 42WH48WH5
 HEAT PUMP
 15 Kw

- ⚠ If there is an X1 and X2 terminal on Q674L1181, jumper them together and connect from C to either one.
- ⚠ For 208V operation move this wire to 208V transformer tap