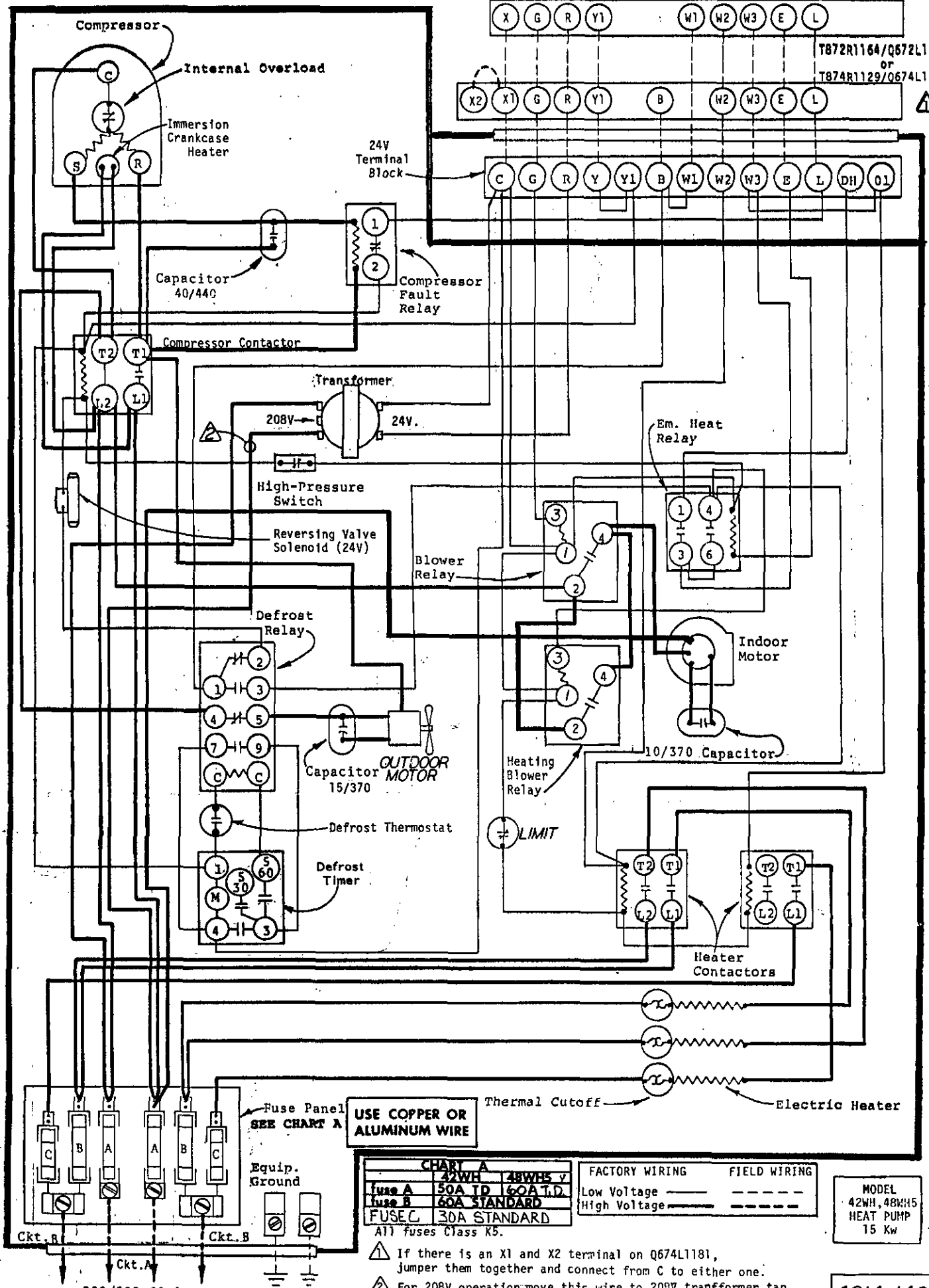


T872N1036/Q672F1299
or
T874N1024/Q674F1261

T872R1164/Q672L1185
or
T874R1129/Q674L1181



USE COPPER OR ALUMINUM WIRE

CHART A	
42WH	48WH5 v
Fuse A	50A T.D. 160A T.D.
Fuse B	60A STANDARD
FUSE C	30A STANDARD

	FACTORY WIRING	FIELD WIRING
Low Voltage	—	---
High Voltage	---	—

MODEL
42WH, 48WH5
HEAT PUMP
15 Kw

- All fuses Class K5.
- ⚠ If there is an X1 and X2 terminal on Q674L1181, jumper them together and connect from C to either one.
- ⚠ For 208V operation move this wire to 208V transformer tap.