

⚠ If there is an X1 and X2 terminal on Q674L1181 jumper them together and connect from C to either one.

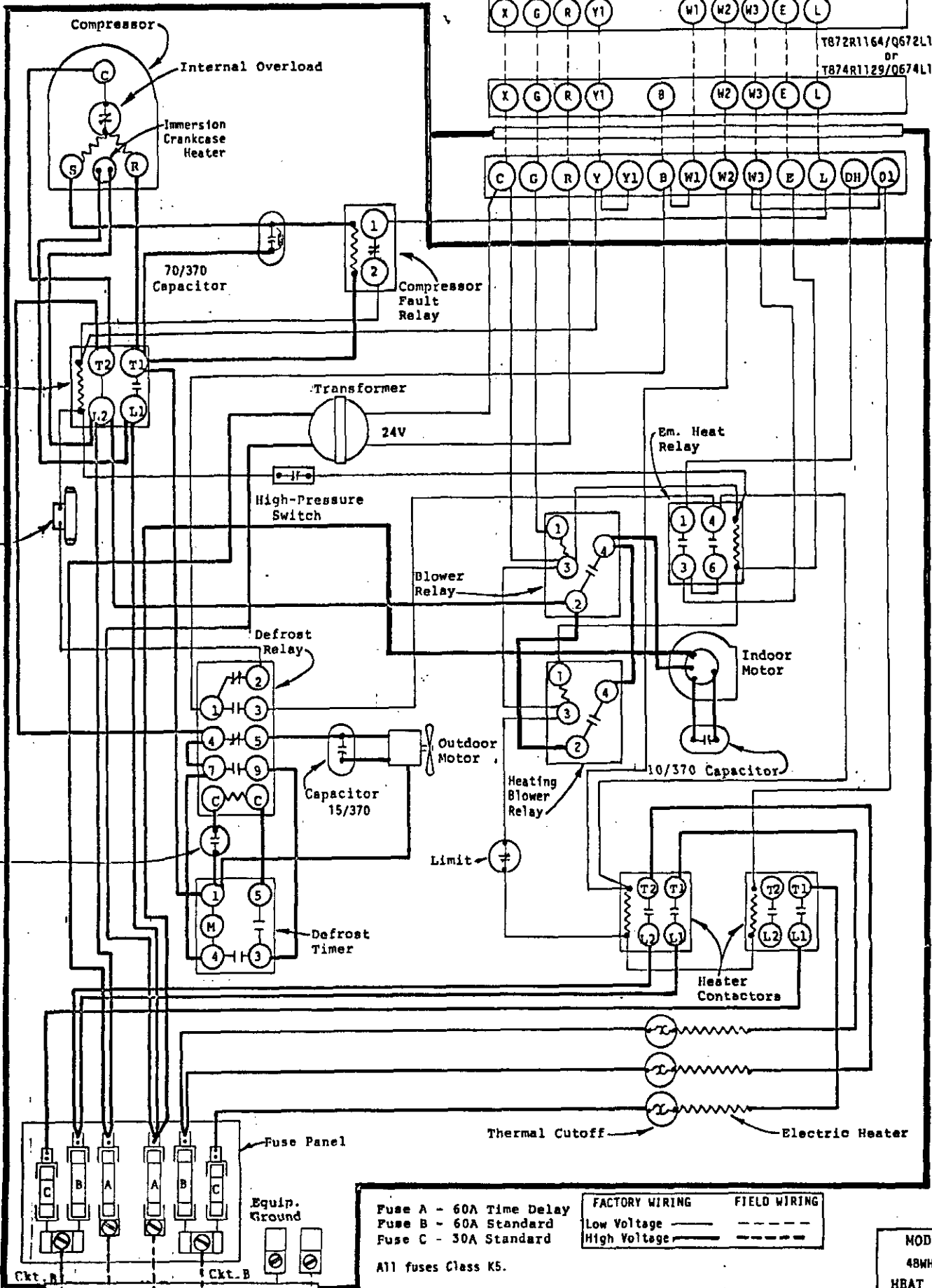
T872N1036/Q672F1299

or
T874R1024/Q674F1261

T872R1164/Q672L1185

or
T874R1129/Q674L1181

24V
Terminal
Block



Fuse A - 60A Time Delay
Fuse B - 60A Standard
Fuse C - 30A Standard

FACTORY WIRING	FIELD WIRING
Low Voltage	-----
High Voltage	-----

All fuses Class K5.

MODEL
48WH2
HEAT PUMP
15 Kw

USE COPPER OR
ALUMINUM WIRE

230/208-60-1

4014-140 E