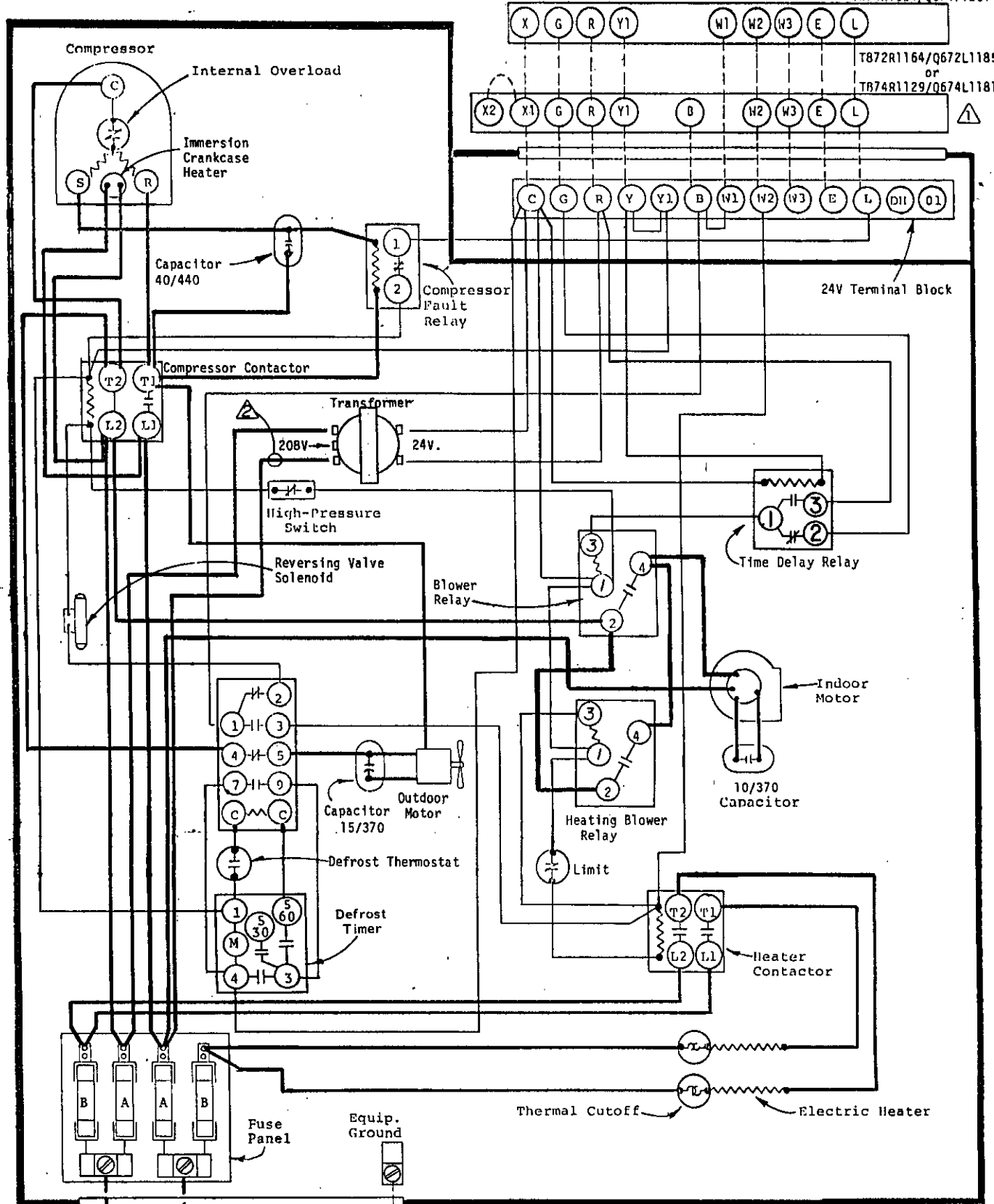


⚠ If there is an X1 and X2 terminal on Q674L1181, jumper them together and connect from C to either one.

⚠ For 208V operation move this wire to 208V transformer tap.

T872N1036/Q672F1299  
or  
T874N1024/Q674F1261

T872R1164/Q672L1185  
or  
T874R1129/Q674L1181



Fuse A - 50A T.D. for 42WH, 60A T.D. for 48WH5  
Fuse B - 60A Standard  
All fuses class K5

MODEL  
42WH, 48WH5  
HEAT PUMP  
10 Kw

230/208-60-1

USE COPPER OR  
ALUMINUM WIRE

|              | FACTORY WIRING | FIELD WIRING |
|--------------|----------------|--------------|
| Low Voltage  | _____          | -----        |
| High Voltage | _____          | -----        |

4014132A