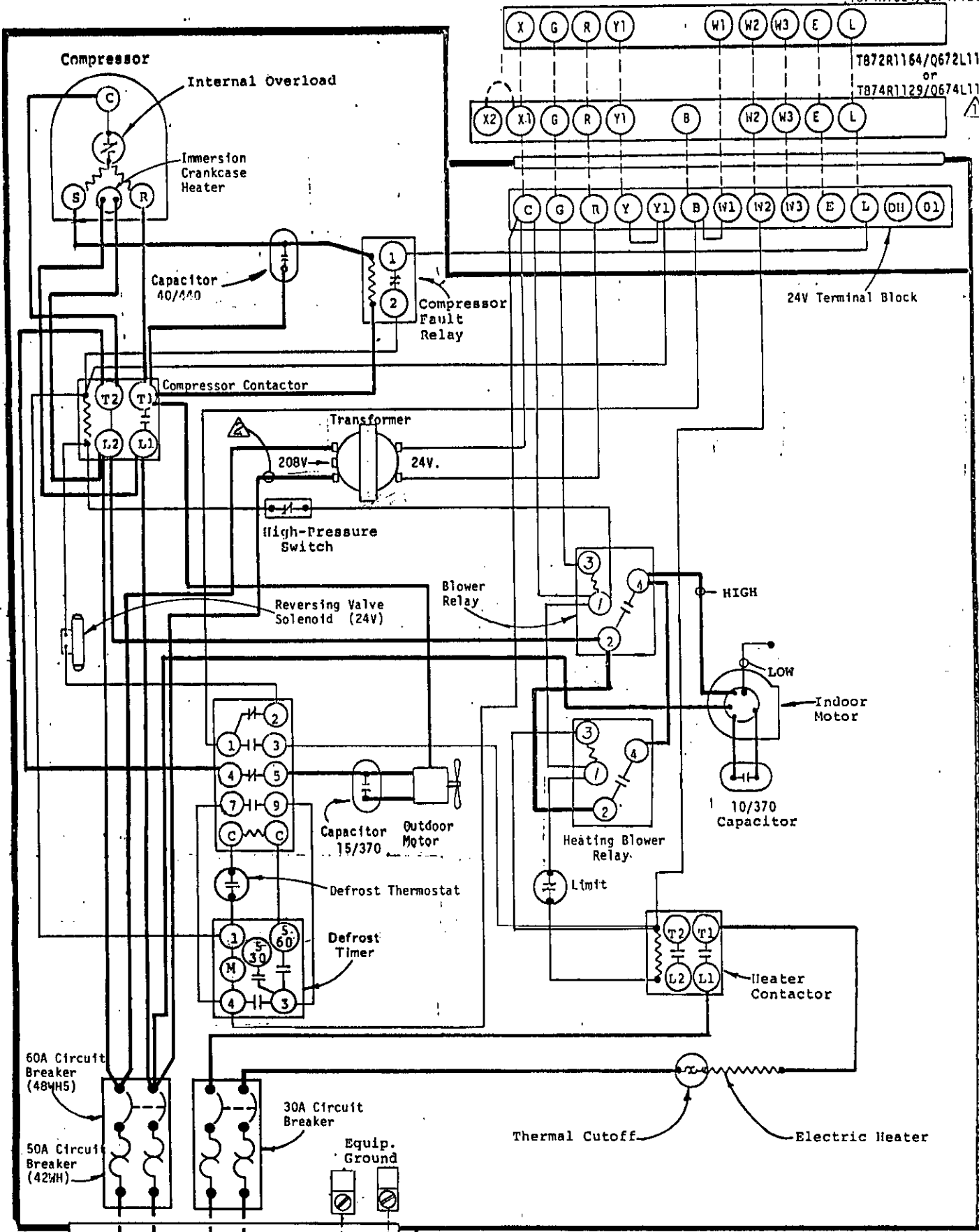


T872N1036/Q672F1299
or
T874N1024/Q674F1261

T872R1164/Q672L1185
or
T874R1129/Q674L1181



CKT A CKT B

230/208-60-1

⚠ If there is an X1 and X2 terminal on Q674L1181, jumper them together and connect from C to either one.
⚠ For 208V operation move this wire to 208V transformer tap.

USE COPPER OR ALUMINUM WIRE

	FACTORY WIRING	FIELD WIRING
Low Voltage	—————	- - - - -
High Voltage	—————	—————

MODEL -
42WH, 48WH³
HEAT PUMP
5 Kw

4014-121D