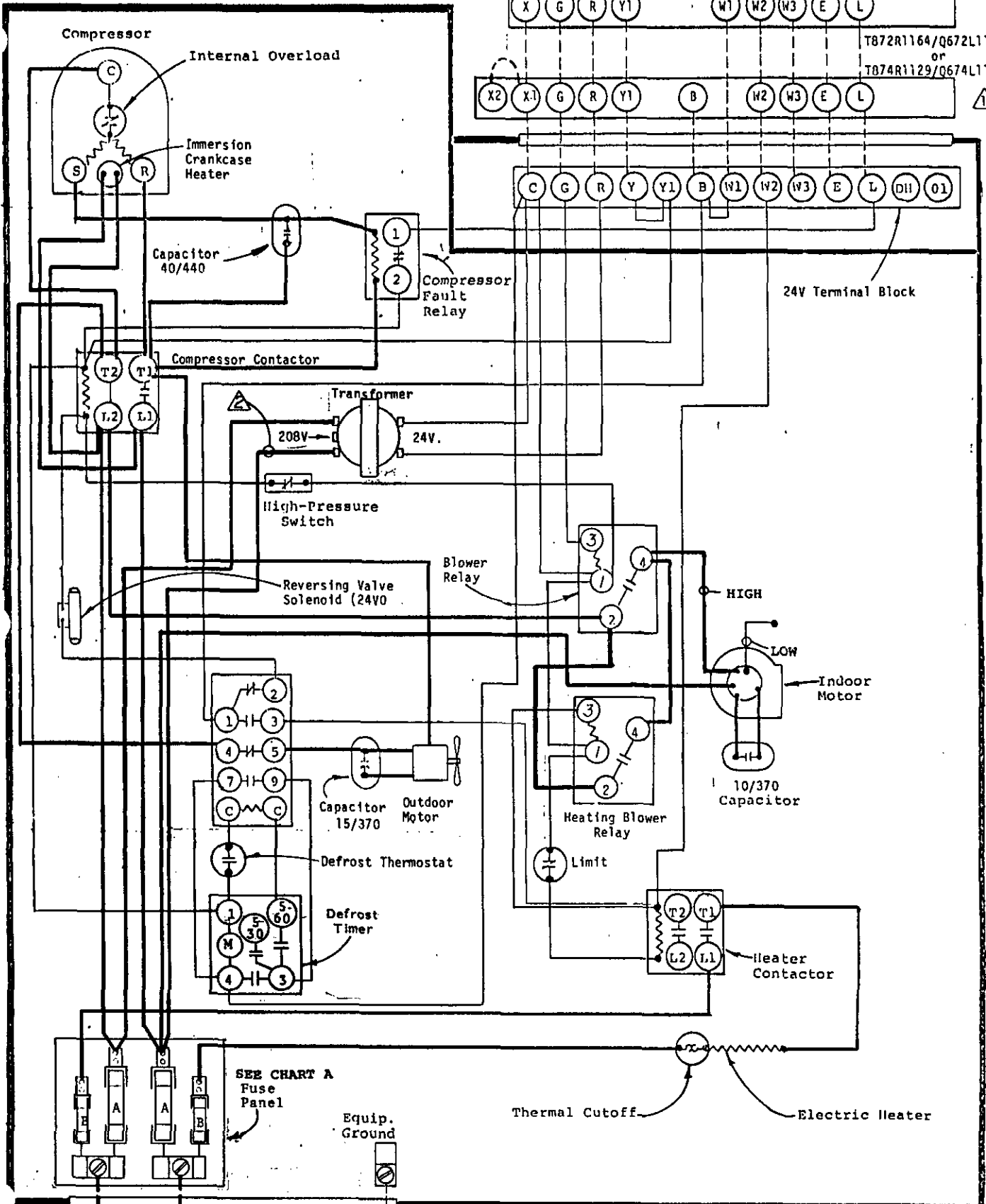


⚠ If there is an X1 and X2 terminal on Q674L1181, jumper them together and connect from C to either one.

⚠ For 208V operation move this wire to 208V transformer tap.

T872N1036/Q672F1299  
or  
T874N1024/Q674F1261

T872R1164/Q672L1185  
or  
T874R1129/Q674L1181



230/208-60-1

USE COPPER OR ALUMINUM WIRE

**CHART A**

	42WH	48WH5
Fuse A	50A TD	60A TD
Fuse B	30A STANDARD	

ALL FUSES CLASS K5

	FACTORY WIRING	FIELD WIRING
Low Voltage	—	- - - -
High Voltage	- - - -	—

MODEL  
42WH, 48WH5  
HEAT PUMP  
5 Kw

4014-120N