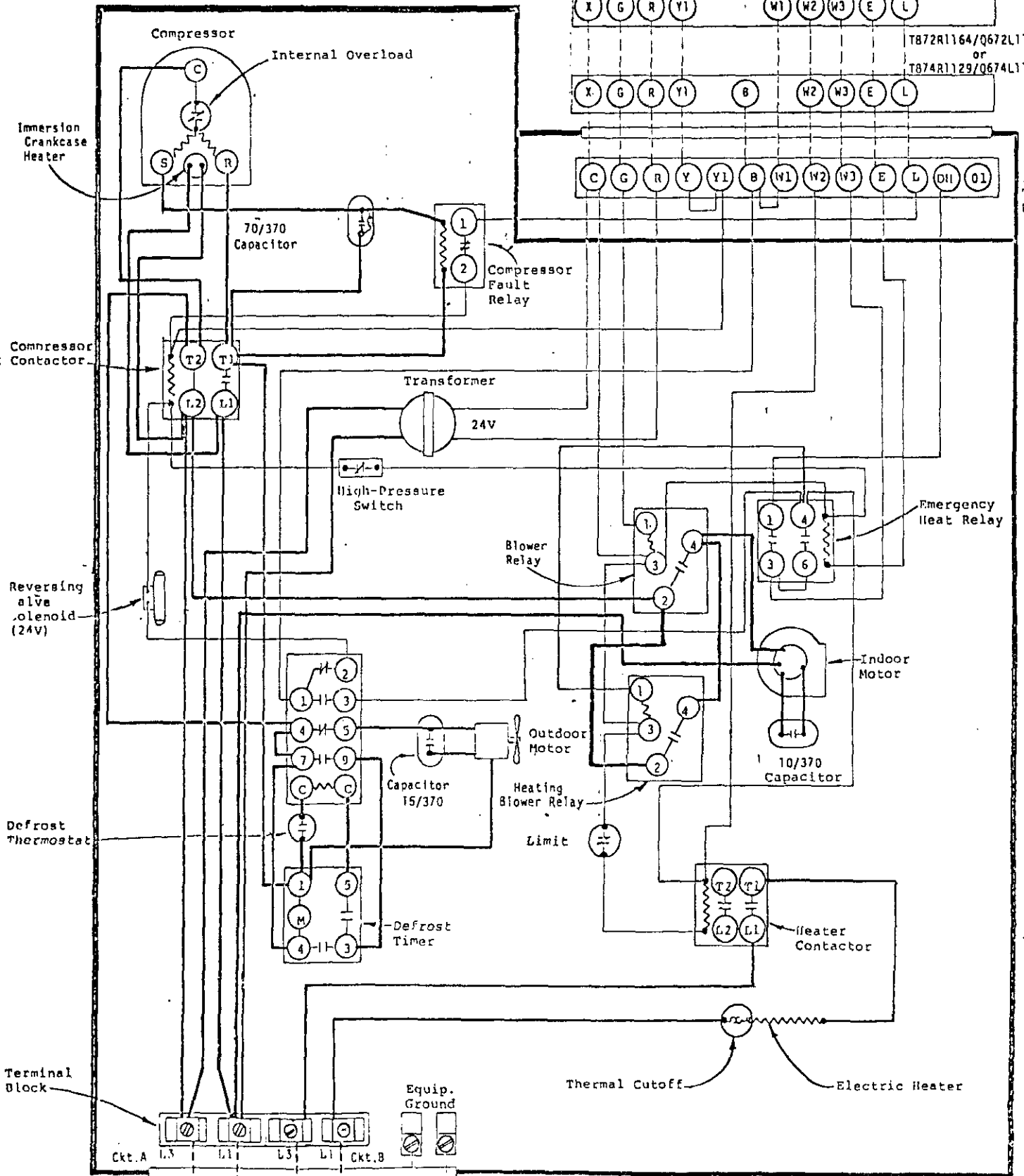


⚠ If there is an X1 and X2 terminal on Q674L1181, jumper them together and connect from C to either one.

T872N1036/Q672F1299
or
T874N1024/Q674F1261

T872R1164/Q672L1185
or
T874R1129/Q674L1181

24V
Terminal
Block



Fused
Disconnect
Switch

USE COPPER OR
ALUMINUM WIRE

FACTORY WIRING	FIELD WIRING
Low Voltage	High Voltage
High Voltage	Low Voltage

MODEL
48W-2
HEAT PUMP
5 Kw