

T872N1036/Q672F1294  
or  
T874N1024/Q674F1261

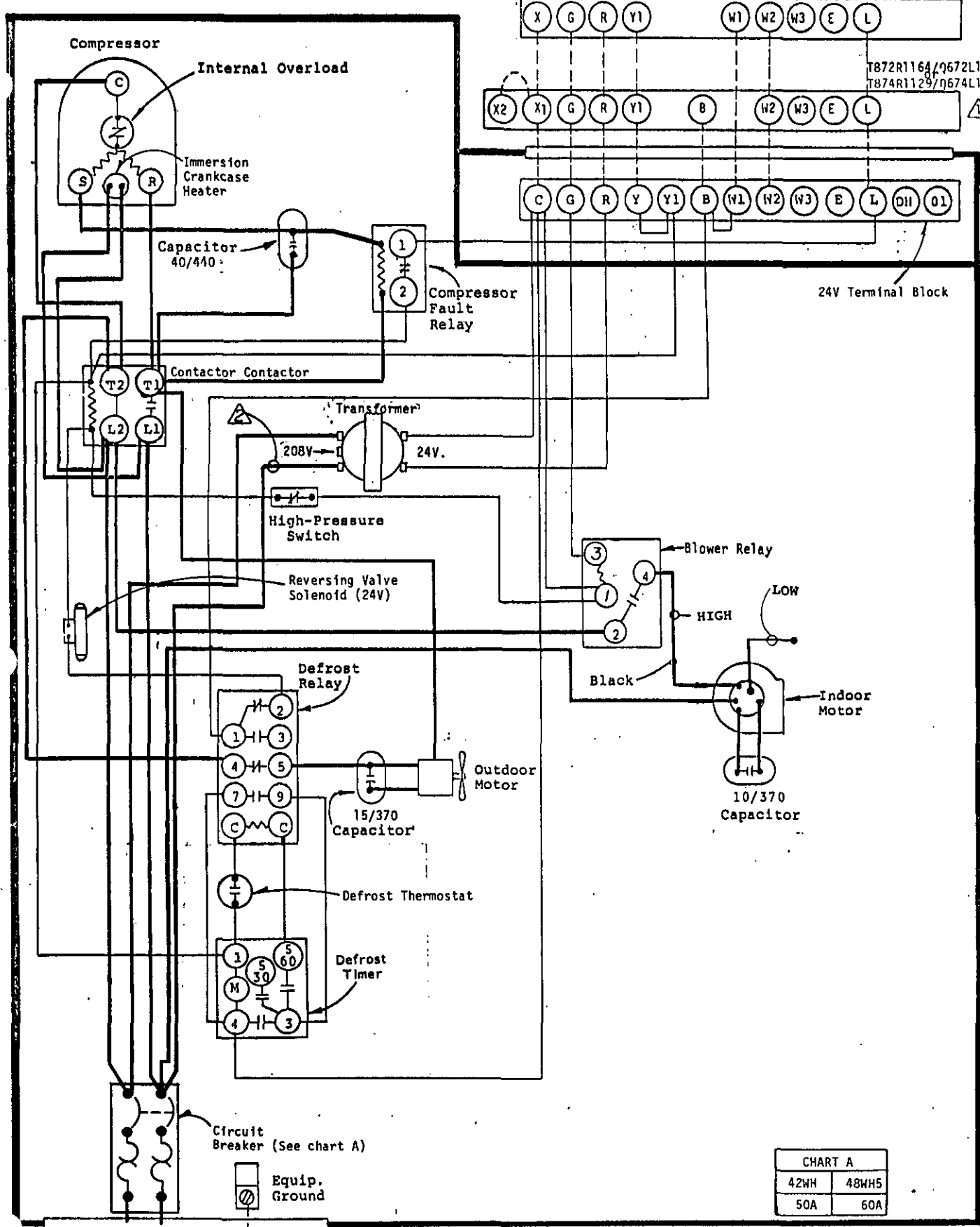


CHART A	
42WH	48WH5
50A	60A

MODELS  
42WH, 48WH5  
HEAT PUMP  
0 Kw

- ⚠ If there is an X1 and X2 terminal on Q674L1181, jumper them together and connect from C to either one.
- ⚠ For 208V operation move this wire to 208V transformer tap.

USE COPPER OR ALUMINUM WIRE

	FACTORY WIRING	FIELD WIRING
Low Voltage	—————	- - - - -
High Voltage	—————	—————