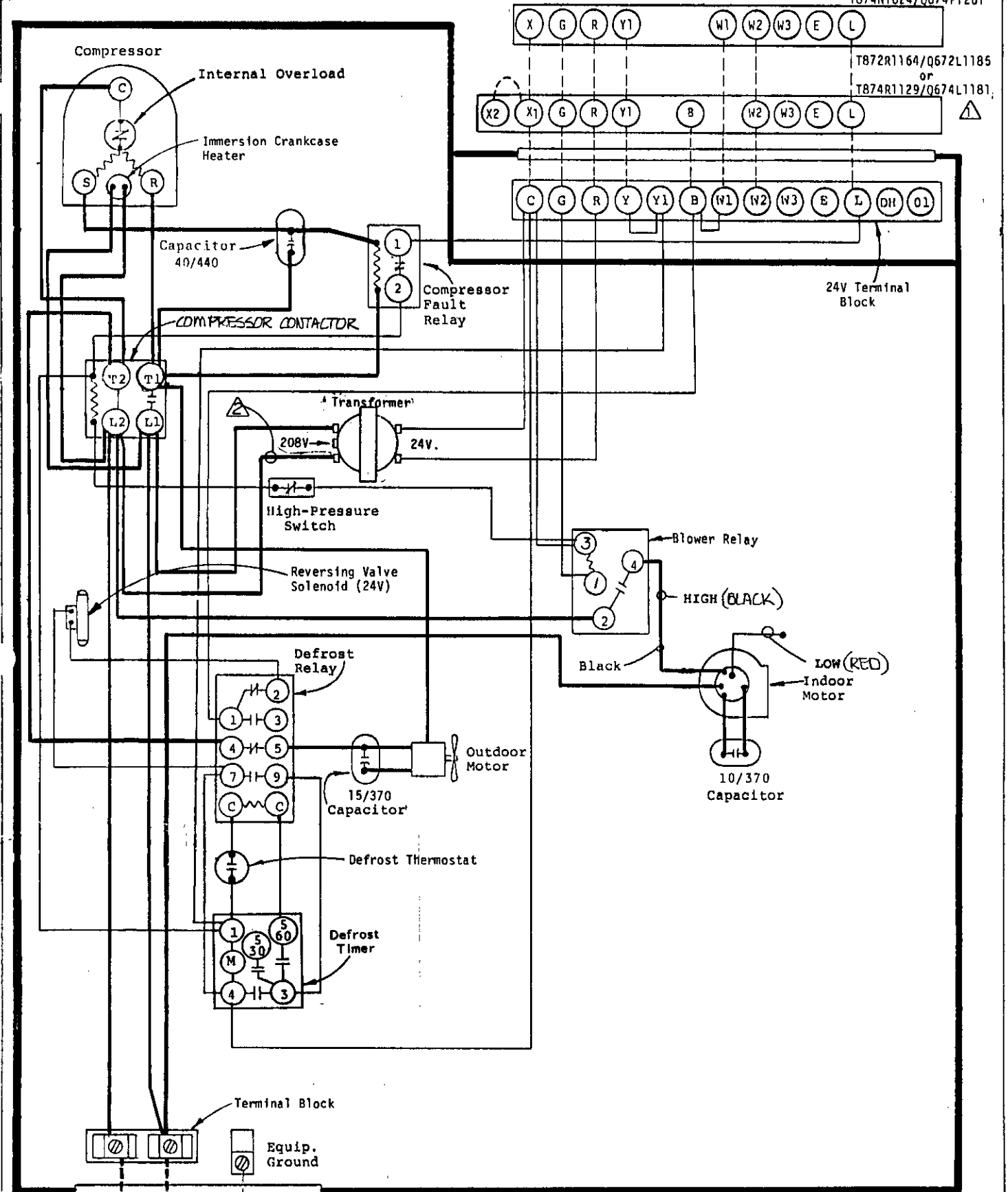


T872N1036/Q672F1299
or
T874N1024/Q674F1261



- ⚠ If there is an X1 and X2 terminal on Q674L1181 jumper them together and connect from C to either one.
- ⚠ For 208V operation move this wire to 208V transformer tap.

USE COPPER OR ALUMINUM WIRE

	FACTORY WIRING	FIELD WIRING
Low Voltage	————	-----
High Voltage	————	-----

Fused Disconnect Switch

230/208-60-1

4014-110P