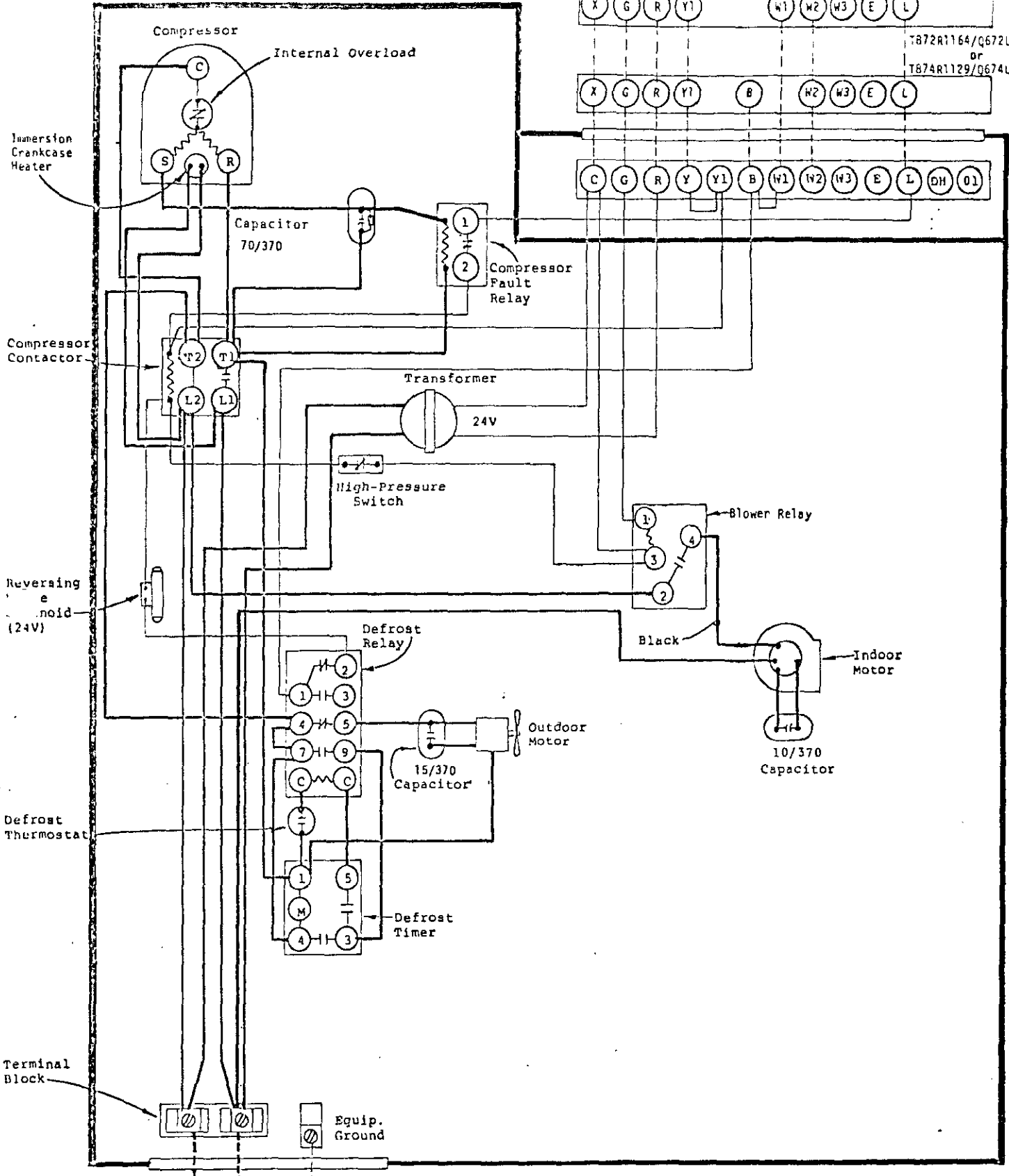


▲ If there is an X1 and X2 terminal on Q674L1181, jumper them together and connect from C to either one.

TE72N1036/Q672F1299  
or  
T874N1024/Q674F1261

T872R1164/Q672L1185  
or  
T874R1129/Q674L1181

24V  
Terminal  
Block



Innerston  
Crankcase  
Heater

Compressor  
Contactor

Reversing  
Coil  
(24V)

Defrost  
Thermostat

Terminal  
Block

USE COPPER OR  
ALUMINUM WIRE

	FACTORY WIRING	FIELD WIRING
Low Voltage	—	---
High Voltage	---	---

MODEL  
48WH2  
HEAT PUMP  
0 Kw